

**PLEASE CHECK WWW.MOLEX.COM FOR LATEST PART INFORMATION**

**Part Number:** [0782341002](#)  
**Status:** **Active**  
**Overview:** [GbX I-Trac™ Backplane Connector System](#)  
**Description:** GbX I-Trac™ Right Angle Header with Left Hold Down, Power Module, 2 Blades, 80 Amps, Lead-Free

**Documents:**

[3D Model](#) [Packaging Specification PK-78234-001 \(PDF\)](#)  
[Drawing \(PDF\)](#) [RoHS Certificate of Compliance \(PDF\)](#)

**Agency Certification**

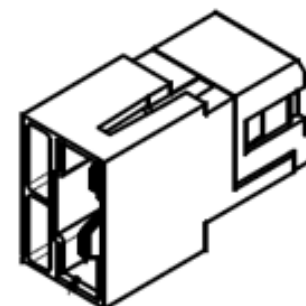
CSA LR19980  
 UL E29179

**General**

Product Family Backplane Connectors  
 Series [78234](#)  
 Application Daughtercard  
 Component Type Power Header  
 Overview [GbX I-Trac™ Backplane Connector System](#)  
 Product Name GbX I-Trac™  
 UPC 883906208202

**Physical**

Circuits (Loaded) 2  
 Circuits (maximum) 2  
 Circuits Detail 80 Amps (40/Split Blade). Power Module 1: Blade Length P1, 8.27mm; P2, 9.77mm  
 Color - Resin Black  
 Durability (mating cycles max) 100  
 First Mate / Last Break Yes  
 Flammability 94V-0  
 Guide to Mating Part No  
 Keying to Mating Part None  
 Material - Metal High Performance Alloy (HPA)  
 Material - Plating Mating Gold  
 Material - Plating Termination Tin  
 Material - Resin High Temperature Thermoplastic  
 Net Weight 10.577/g  
 Number of Columns 1  
 Number of Pairs 6  
 Number of Rows 2  
 Orientation Right Angle  
 PC Tail Length 2.41mm  
 PCB Locator Yes  
 PCB Retention Yes  
 PCB Thickness - Recommended 1.60mm  
 Packaging Type Tray  
 Pitch - Mating Interface 2.00mm, 7.40mm  
 Pitch - Termination Interface 2.00mm, 7.40mm  
 Plating min - Mating 0.762µm  
 Plating min - Termination 2.540µm  
 Polarized to PCB Yes  
 Stackable No  
 Surface Mount Compatible (SMC) Yes  
 Temperature Range - Operating -20°C to +85°C  
 Termination Interface: Style Through Hole - Compliant Pin



Series image - Reference only

**EU ELV**

**Not Relevant**

**EU RoHS**

**Compliant**

**REACH SVHC**

Not Contained Per -  
 ED/21/2016 (20 June  
 2016)

**Halogen-Free**

**Status**

**Low-Halogen**

**Need more information on product environmental compliance?**

Email [productcompliance@molex.com](mailto:productcompliance@molex.com)  
 Please visit the [Contact Us](#) section for any non-product compliance questions.

China ROHS

ELV

Green Image

Not Relevant

**Search Parts in this Series**

[78234 Series](#)

**Mates With**

[78232](#) GbX I-Trac™ Vertical Receptacle, Power Module, [78235](#) GbX I-Trac™ Power Right Angle Receptacle

**Use With**

[75710](#) GbX I-Trac™ Right Angle, 11 Row Receptacle Module

**Application Tooling | FAQ**

*Tooling specifications and manuals are found by selecting the products below. Crimp Height Specifications are then contained in the Application Tooling Specification document.*

**Global**

**Description**

**Product #**

**Electrical**

Current - Maximum per Contact	80.0A
Data Rate	12.0 Gbps
Shield Type	N/A
Shielded	No
Voltage - Maximum	250V DC

**Solder Process Data**

Lead-free Process Capability	N/A
------------------------------	-----

**Material Info****Reference - Drawing Numbers**

Packaging Specification	PK-78234-001
Sales Drawing	SD-78234-003

Press-in Tool for Right Angle Power Receptacle and Header for 11-Row	<u>0622018628</u>
---	-------------------

This document was generated on 07/18/2016

**PLEASE CHECK [WWW.MOLEX.COM](http://WWW.MOLEX.COM) FOR LATEST PART INFORMATION**