

PLEASE CHECK WWW.MOLEX.COM FOR LATEST PART INFORMATION

Part Number: [0782341001](#)
Status: **Active**
Overview: [GbX I-Trac™ Backplane Connector System](#)
Description: [GbX I-Trac™ Right Angle Header with Left Hold Down, Power Module, 2 Blades, 80 Amps, Lead-Free](#)

Documents:

[3D Model](#) [Packaging Specification PK-78234-001 \(PDF\)](#)
[Drawing \(PDF\)](#) [RoHS Certificate of Compliance \(PDF\)](#)

Agency Certification

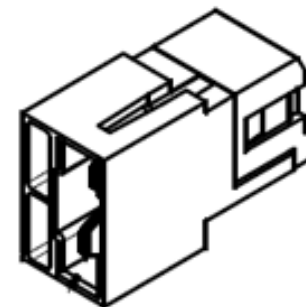
CSA LR19980
 UL E29179

General

Product Family Backplane Connectors
 Series [78234](#)
 Application Daughtercard
 Component Type Power Header
 Overview [GbX I-Trac™ Backplane Connector System](#)
 Product Name GbX I-Trac™
 UPC 883906023331

Physical

Circuits (Loaded) 2
 Circuits (maximum) 2
 Circuits Detail 80 Amps (40/Split Blade). Power Module 1: Blade Length P1, 8.27mm; P2, 8.27mm
 Color - Resin Black
 Durability (mating cycles max) 100
 First Mate / Last Break No
 Flammability 94V-0
 Guide to Mating Part No
 Keying to Mating Part None
 Material - Metal High Performance Alloy (HPA)
 Material - Plating Mating Gold
 Material - Plating Termination Tin
 Material - Resin High Temperature Thermoplastic
 Net Weight 10.495/g
 Number of Columns 1
 Number of Pairs 6
 Number of Rows 2
 Orientation Right Angle
 PC Tail Length 2.41mm
 PCB Locator Yes
 PCB Retention Yes
 PCB Thickness - Recommended 1.60mm
 Packaging Type Tray
 Pitch - Mating Interface 2.00mm, 7.40mm
 Pitch - Termination Interface 2.00mm, 7.40mm
 Plating min - Mating 0.762µm
 Plating min - Termination 2.540µm
 Polarized to PCB Yes
 Stackable No
 Surface Mount Compatible (SMC) Yes
 Temperature Range - Operating -20°C to +85°C
 Termination Interface: Style Through Hole - Compliant Pin



Series image - Reference only

EU ELV

Not Relevant

EU RoHS

Compliant

REACH SVHC

Not Contained Per - ED/21/2016 (20 June 2016)

Halogen-Free

Status

Low-Halogen

Need more information on product environmental compliance?

Email productcompliance@molex.com
 Please visit the [Contact Us](#) section for any non-product compliance questions.

China ROHS

ELV

Green Image

Not Relevant

Search Parts in this Series

[78234 Series](#)

Mates With

[78232](#) GbX I-Trac™ Vertical Receptacle, Power Module, [78235](#) GbX I-Trac™ Power Right Angle Receptacle

Use With

[75710](#) GbX I-Trac™ Right Angle, 11 Row Receptacle Module

Application Tooling | FAQ

Tooling specifications and manuals are found by selecting the products below. Crimp Height Specifications are then contained in the Application Tooling Specification document.

Global

Description

Product #

Electrical

Current - Maximum per Contact	80.0A
Data Rate	12.0 Gbps
Shield Type	N/A
Shielded	No
Voltage - Maximum	250V DC

Solder Process Data

Lead-free Process Capability	N/A
------------------------------	-----

Material Info**Reference - Drawing Numbers**

Packaging Specification	PK-78234-001
Sales Drawing	SD-78234-003

Press-in Tool for Right Angle Power Receptacle and Header for 11-Row	<u>0622018628</u>
---	-------------------

This document was generated on 07/18/2016

PLEASE CHECK WWW.MOLEX.COM FOR LATEST PART INFORMATION