

**PLEASE CHECK WWW.MOLEX.COM FOR LATEST PART INFORMATION**

**Part Number:** [1200740241](#)

**Status:** **Active**

**Overview:** Brad® Micro-Change® (M12) Connectors

**Description:** Micro-Change® (1/2" - 20 UNF) US Dual Keyway Receptacle, 6 Poles, 1/4" - 18 NPT Mounting Threads, Male (Straight) to 22 AWG PVC Leads, 0.305m (1.0') Length

**Documents:**

[Drawing \(PDF\)](#)

[RoHS Certificate of Compliance \(PDF\)](#)

**Agency Certification**

CSA LR6837  
UL E152210

**General**

Product Family Industrial Receptacles  
Series [120074](#)  
IP Rating IP67  
NEMA Rating NEMA 6  
Overview [Brad® Micro-Change® \(M12\) Connectors](#)  
Product Name Micro-Change® (1/2" - 20 UNF)  
Type Single Ended (pigtail)  
UPC 78678821757

**Physical**

Coupling Type External Thread  
Gender Male  
Keyway Dual  
Length 0.305m  
Material - Component Gray Anodized Aluminum  
Mounting Thread Size 1/4" - 18 NPT  
Orientation Straight  
Panel Mount Front  
Poles 6  
Temperature Range - Operating -20°C to +80°C  
Wire Size AWG 22  
Wire/Cable Type Leads, UL 1061

**Electrical**

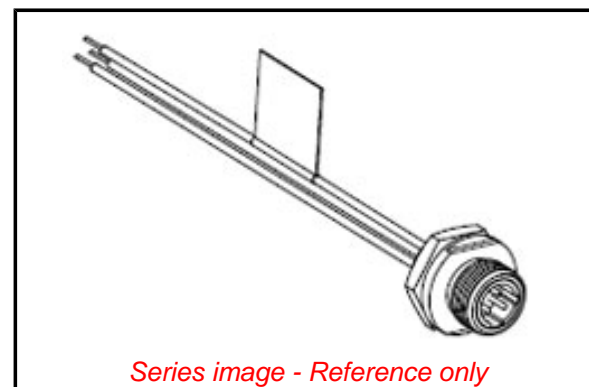
Current - Maximum per Contact 4.0A  
Voltage - Maximum 250V AC/DC

**Material Info**

Old Part Number 7R6A06A19A120

**Reference - Drawing Numbers**

Sales Drawing SD-120074-030



*Series image - Reference only*

**EU ELV**

**Not Relevant**

**EU RoHS**

**Not Reviewed**

**REACH SVHC**

Not Reviewed

**Halogen-Free**

**Status**

**Not Reviewed**

**Need more information on product environmental compliance?**

Email [productcompliance@molex.com](mailto:productcompliance@molex.com)  
Please visit the [Contact Us](#) section for any non-product compliance questions.

China ROHS

Not Reviewed

ELV

Not Relevant

**Search Parts in this Series**

[120074 Series](#)