

# Magnetic Alarm Reed Switch

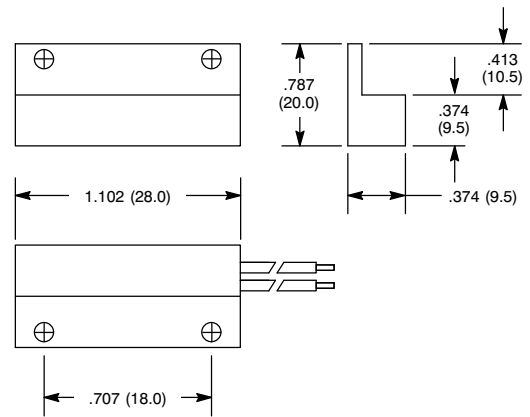
## Features

- Mini Stick-On Surface Mount Contact with Side Leads
- 18" Long Side Wire Leads
- Adhesive & Screw Mounting
- Operate Gap 3/4" (19mm) min.



NTE Type No.	Circuitry	Action	Actuator	Diag No.
54-632	SPST-NO	NO for Closed Loop System	Magnet	S103

## S103



## Specifications

**Contact Rating:** 10W/VA  
**Contact Resistance:** 150 milliohms.  
**Contact Material:** Ruthenium Oxide over Palladium  
**Switching Voltage:** 200 VDC max.  
**Switching Current:** 500mA max.  
**Insulation Resistance:** 10 gigohms  
**Shock Resistance:** 30G for 11mS  
**Vibration Resistance:** 20G (10 to 1000Hz)  
**Life Expectancy:** 20,000,000 cycles (resistive load, 12VDC, 250mA)  
**Operating Gap:** .748" (19mm) min.  
**Terminal Type:** Wire Leads  
**Mounting Hole:** .250" (6.35mm)

# Magnetic Roller Ball Switch

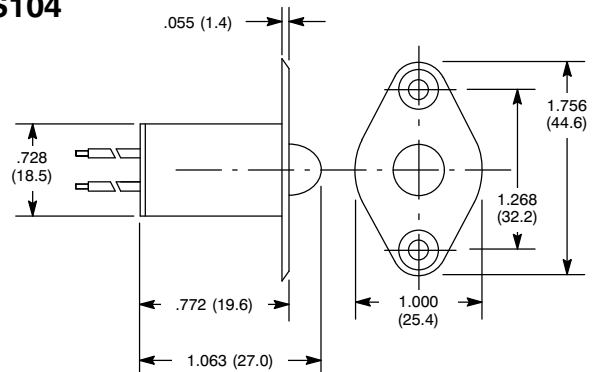
## Features

- 3/8" Dia with 18" Long Wire Leads
- Flange for Reliable Retention
- Suitable For Sliding as well as Swing Doors



NTE Type No.	Circuitry	Action	Actuator	Diag No.
54-633	SPST-NO	NO for Closed Loop System	Magnet	S104

## S104



## Specifications

**Contact Rating:** 10W/VA  
**Contact Resistance:** 150 milliohms.  
**Contact Material:** Ruthenium Oxide over Palladium  
**Switching Voltage:** 200 VDC max.  
**Switching Current:** 500mA max.  
**Insulation Resistance:** 10 gigohms  
**Shock Resistance:** 30G for 11mS  
**Vibration Resistance:** 20G (10 to 1000Hz)  
**Life Expectancy:** 20,000,000 cycles (resistive load, 12VDC, 250mA)  
**Terminal Type:** Wire Leads  
**Mounting Hole:** .375" (9mm)