

**PLEASE CHECK WWW.MOLEX.COM FOR LATEST PART INFORMATION**

**Part Number:** [0511161601](#)  
**Status:** **Active**  
**Description:** 4.00mm Pitch OBDII Wire-to-Wire Receptacle Housing Flange Mount

**Documents:**

[3D Model](#) [Product Specification PS-51115-001 \(PDF\)](#)  
[Drawing \(PDF\)](#) [RoHS Certificate of Compliance \(PDF\)](#)

**General**

Product Family	Crimp Housings
Series	51116
Application	Power, Wire-to-Wire
Product Name	OBD-II
UPC	800754236980

**Physical**

Circuits (maximum)	16
Color - Resin	Black
Gender	Receptacle
Glow-Wire Compliant	No
Material - Resin	Polyester
Net Weight	10474.200/mg
Number of Rows	2
Packaging Type	Bag
Panel Mount	No
Pitch - Mating Interface	4.00mm
Stackable	No
Temperature Range - Operating	-40°C to +85°C

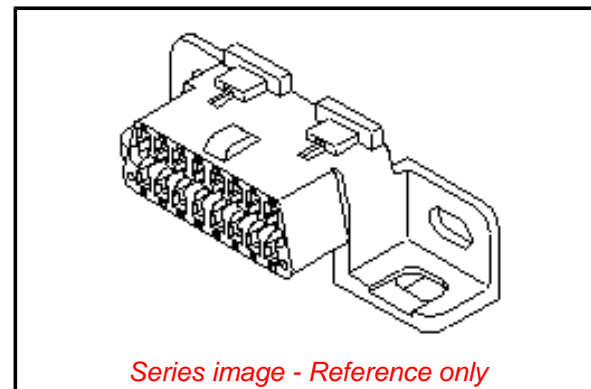
**Solder Process Data**

Lead-freeProcess Capability	N/A
-----------------------------	-----

**Material Info**

**Reference - Drawing Numbers**

Product Specification	PS-51115-001
Sales Drawing	SD-51116-**0*



**EU ELV**

**Compliant**

**EU RoHS**

**Compliant**

**REACH SVHC**

Not Contained Per -  
ED/39/2015 (15 June  
2015)

**Halogen-Free**

**Status**

**Not Low-Halogen**

**Need more information on product  
environmental compliance?**

Email [productcompliance@molex.com](mailto:productcompliance@molex.com)  
Please visit the [Contact Us](#) section for any  
non-product compliance questions.

China ROHS

ELV

**China RoHS**

Green Image

Compliant

**Search Parts in this Series**

51116 Series

**Use With**

50420 , 51118