

PLEASE CHECK WWW.MOLEX.COM FOR LATEST PART INFORMATION

Part Number: [1042660210](#)
Status: **Active**
Overview: Lite-Trap™ and Mini Lite-Trap™ Connector System
Description: Bottom-Entry Lite-Trap™ SMT Wire-to-Board Connector, Push-Button Type, 2 Circuits

Documents:

[3D Model](#) [RoHS Certificate of Compliance \(PDF\)](#)
[Drawing \(PDF\)](#)

Agency Certification

UL E29179

General

Product Family PCB Receptacles
 Series [104266](#)
 Application Wire-to-Board
 Overview [Lite-Trap™ and Mini Lite-Trap™ Connector System](#)
 Product Name Lite-Trap™
 UPC 889056499071

Physical

Circuits (Loaded) 2
 Circuits (maximum) 2
 Color - Resin Natural
 Durability (mating cycles max) 25
 Flammability 94V-0
 Glow-Wire Compliant No
 Material - Metal Copper Alloy
 Material - Plating Mating Tin
 Material - Resin Liquid Crystal Polymer
 Net Weight 0.910/g
 Number of Rows 1
 Orientation Bottom Entry
 PCB Retention None
 Packaging Type Embossed Tape on Reel
 Pitch - Mating Interface 4.00mm
 Plating min - Mating 0.813µm
 Polarized to PCB No
 Temperature Range - Operating -60°C to +130°C
 Termination Interface: Style Surface Mount

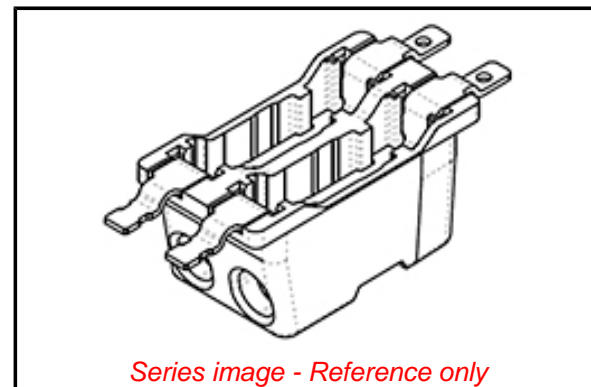
Electrical

Current - Maximum per Contact 3.0A
 Voltage - Maximum 320V AC (RMS)/DC

Material Info

Reference - Drawing Numbers

Sales Drawing SD-104266-003



EU ELV

Not Relevant

EU RoHS

Compliant

China RoHS

REACH SVHC

Not Contained Per -
 ED/21/2016 (20 June
 2016)

Halogen-Free

Status

Low-Halogen

**Need more information on product
 environmental compliance?**

Email productcompliance@molex.com
 Please visit the [Contact Us](#) section for any
 non-product compliance questions.

China ROHS

Green Image

ELV

Not Relevant

Search Parts in this Series

[104266](#) Series