

PLEASE CHECK WWW.MOLEX.COM FOR LATEST PART INFORMATION

Part Number: [0532540970](#)
Status: **Active**
Overview: Micro-Latch™ Wire-to-Board Connector System
Description: 2.00mm Pitch Micro-Latch™ Wire-to-Board Header, Right Angle, Square Pin, Three-sided Shroud, 9 Circuits

Documents:

[3D Model](#) [Product Specification PS-51065-016 \(PDF\)](#)
[Drawing \(PDF\)](#) [RoHS Certificate of Compliance \(PDF\)](#)

General

Product Family	PCB Headers
Series	53254
Application	Signal, Wire-to-Board
Overview	<u>Micro-Latch™ Wire-to-Board Connector System</u>
Product Name	Micro-Latch™
UPC	756054354216

Physical

Breakaway	No
Circuits (Loaded)	9
Circuits (maximum)	9
Durability (mating cycles max)	30
First Mate / Last Break	No
Glow-Wire Compliant	No
Lock to Mating Part	Yes
Material - Metal	Brass
Material - Plating Mating	Tin
Material - Plating Termination	Tin
Material - Resin	Nylon
Net Weight	466.700/mg
Number of Rows	1
Orientation	Right Angle
PC Tail Length	3.50mm
PCB Locator	No
PCB Retention	Yes
PCB Thickness - Recommended	1.60mm
Packaging Type	Tray
Pitch - Mating Interface	2.00mm
Plating min - Mating	1.016µm
Plating min - Termination	1.016µm
Polarized to Mating Part	Yes
Polarized to PCB	No
Shrouded	Partial
Stackable	No
Surface Mount Compatible (SMC)	No
Temperature Range - Operating	-40°C to +105°C
Termination Interface: Style	Through Hole

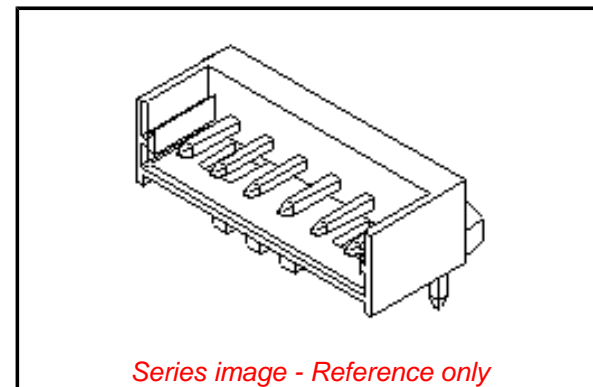
Electrical

Current - Maximum per Contact	2.0A
Voltage - Maximum	125V

Material Info

Reference - Drawing Numbers

Product Specification PS-51065-016, RPS-51065-002, RPS-51065-006, RPS-51065-007, RPS-51065-013, RPS-51065-015,



Series image - Reference only

EU ELV

Not Relevant

EU RoHS

Compliant

REACH SVHC

Not Contained Per -
ED/21/2016 (20 June
2016)

Halogen-Free

Status

Not Low-Halogen

**Need more information on product
environmental compliance?**

Email productcompliance@molex.com
Please visit the [Contact Us](#) section for any
non-product compliance questions.

China ROHS

ELV

Green Image

Not Relevant

Search Parts in this Series

[53254 Series](#)

Mates With

[51065 Crimp Housing](#), [50212 Crimp Terminal](#)

Sales Drawing

RPS-51065-021, RPS-51065-022, RPS-51065-025,
RPS-51065-026, RPS-51065-031, RPS-51065-032
SD-51065-006, SD-53254-001

This document was generated on 08/19/2016

PLEASE CHECK WWW.MOLEX.COM FOR LATEST PART INFORMATION