

**PLEASE CHECK WWW.MOLEX.COM FOR LATEST PART INFORMATION**

**Part Number:** **0196001306**  
**Status:** **Active**  
**Overview:** Standard Quick-Disconnect Terminals  
**Description:** Avikrimp™ Fully Insulated Female Quick Disconnect

**Documents:**

3D Model [Product Specification PS-19902-015 \(PDF\)](#)  
Drawing (PDF) [RoHS Certificate of Compliance \(PDF\)](#)  
Product Specification PS-19902-014 (PDF)

**Agency Certification**

CSA LR18689  
UL E79133

**General**

Product Family Quick Disconnects  
Series [19600](#)  
Crimp Quality Equipment Yes  
Insulated Fully  
Overview [Standard Quick-Disconnect Terminals](#)  
Product Name Avikrimp™  
Type Quick Disconnect  
UPC 800753117808

**Physical**

Barrel Type Closed  
Color - Resin Yellow  
Flammability 94V-2  
Gender Female  
Glow-Wire Compliant No  
Insulation Nylon (PA)  
Lock to Mating Part None  
Material - Metal Brass  
Material - Plating Mating Tin  
Material - Plating Termination Tin  
Net Weight 1.366/g  
Orientation Straight  
Packaging Type Adhesive Tape on Reel  
Polarized to Mating Part No  
Tab Thickness 0.81mm  
Tab Width 6.35mm  
Temperature Range - Operating -65°C to +105°C  
Wire Insulation Diameter 6.89x4.32mm max.  
Wire Size AWG 16+16, 18+18, 20+20, 22+22

**Electrical**

Voltage - Maximum 300V

**Solder Process Data**

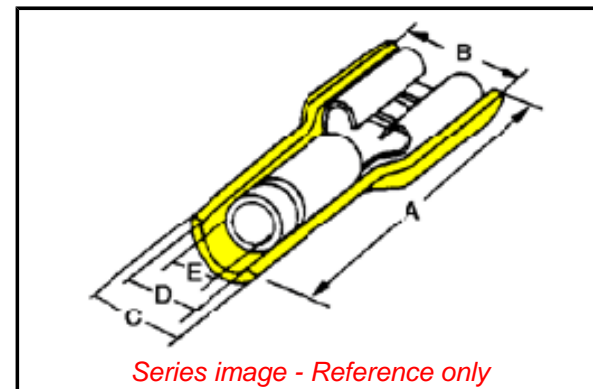
Lead-free Process Capability N/A

**Material Info**

Old Part Number P-5242T

**Reference - Drawing Numbers**

Product Specification PS-19902-014, PS-19902-015  
Sales Drawing SD-19600-1300



Series image - Reference only

**EU ELV**

**Not Relevant**

**EU RoHS**

**Compliant**

**REACH SVHC**

Not Contained Per -  
ED/21/2016 (20 June  
2016)

**Halogen-Free**

**Status**

**Low-Halogen**

**Need more information on product  
environmental compliance?**

Email [productcompliance@molex.com](mailto:productcompliance@molex.com)  
Please visit the [Contact Us](#) section for any  
non-product compliance questions.

China ROHS

ELV

Green Image

Not Relevant

**Search Parts in this Series**

[19600 Series](#)

**Application Tooling | FAQ**

*Tooling specifications and manuals are  
found by selecting the products below.  
Crimp Height Specifications are then  
contained in the Application Tooling  
Specification document.*

**Global**

Description	Product #
ATP Crimp Dies for the Tape Crimp Module and ATP-101 & 301 Press	<a href="#">0190270001</a>
ATP Crimp Dies for the Tape Crimp Module and ATP-101 & 301 Press	<a href="#">0190270310</a>

This document was generated on 08/11/2016

**PLEASE CHECK [WWW.MOLEX.COM](http://WWW.MOLEX.COM) FOR LATEST PART INFORMATION**