

PLEASE CHECK WWW.MOLEX.COM FOR LATEST PART INFORMATION

Part Number: [0733860300](#)
Status: **Active**
Overview: RF/Microwave Adapters
Description: 50 Ohms, RF Adapter SMA Plug to MMCX Plug, Tray

Documents:

[Drawing \(PDF\)](#) [RoHS Certificate of Compliance \(PDF\)](#)

General

Product Family	RF/Coax Connectors
Series	73386
Overview	RF/Microwave Adapters
Product Name	Adapter, MMCX, SMA
Style	Adapter
UPC	756054368152
Wire/Cable Type	N/A

Physical

Gender	Plug/Plug
Keying to Mating Part	None
Net Weight	2.840/g
Orientation	Straight
PCB Mounting	N/A
Packaging Type	Tray
Panel Mount	No
Panel Mount Method	N/A
Reverse Polar	No

Electrical

Impedance	50#
-----------	-----

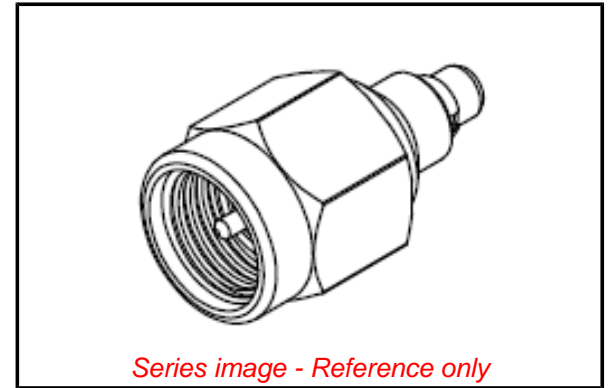
Solder Process Data

Lead-freeProcess Capability	N/A
-----------------------------	-----

Material Info

Reference - Drawing Numbers

Sales Drawing	SD-73386-030
---------------	--------------



EU ELV

Not Relevant

EU RoHS

Compliant with Exemption 6(c)

REACH SVHC

Contained Per - ED/21/2016 (20 June 2016)

2,4-Di-tert-butyl-6-(5-chlorobenzotriazol-2-yl)p

Halogen-Free

Status

Low-Halogen

Need more information on product environmental compliance?

Email productcompliance@molex.com
Please visit the [Contact Us](#) section for any non-product compliance questions.

China ROHS

50 Image

ELV

Not Relevant

Search Parts in this Series

[73386](#) Series

PLEASE CHECK WWW.MOLEX.COM FOR LATEST PART INFORMATION