

**PLEASE CHECK WWW.MOLEX.COM FOR LATEST PART INFORMATION**

**Part Number:** [0460182541](#)

**Status:** **Active**

**Overview:** [Mini-Fit® Plus Connector System](#)

**Description:** Mini-Fit® Plus High Mating Cycle Female Crimp Terminal, 22-24 AWG, Reel, Select Gold (Au) Plating with Proprietary Molex Advanced Contact Surface Finish (CSF) in Contact Area

**Documents:**

[Drawing \(PDF\)](#)

[Packaging Specification PK-46018-001 \(PDF\)](#)

[Test Summary TS-46018-001 \(PDF\)](#)

[RoHS Certificate of Compliance \(PDF\)](#)

**General**

Product Family	Crimp Terminals
Series	46018
Application	Power
Comments	Current Rating = 5A Max. Using 22 AWG Wire and 4A Max. Using 24 AWG Wire
Crimp Quality Equipment	Yes
Overview	<a href="#">Mini-Fit® Plus Connector System</a>
Packaging Alternative	<a href="#">46018-2542 (Loose)</a>
Product Name	Mini-Fit® Plus
UPC	822350560450

**Physical**

Gender	Female
Material - Metal	Copper Alloy
Material - Plating Mating	Gold
Material - Plating Termination	Tin
Net Weight	0.150/g
Packaging Type	Reel
Plating min - Mating	0.051µm
Plating min - Termination	2.540µm
Termination Interface: Style	Crimp or Compression
Wire Insulation Diameter	1.20-1.80mm
Wire Size AWG	22, 24
Wire Size mm²	N/A

**Electrical**

Current - Maximum per Contact	13.0A
Voltage - Maximum	600V

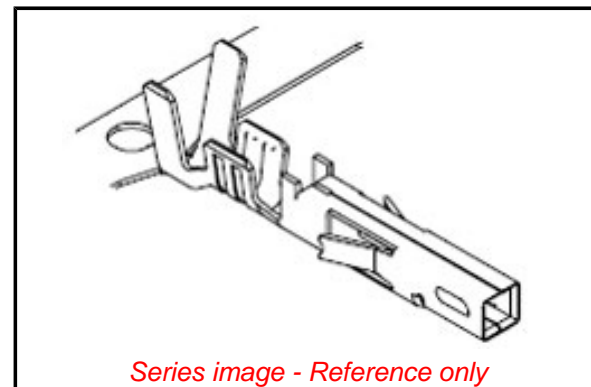
**Solder Process Data**

Lead-free Process Capability	N/A
------------------------------	-----

**Material Info**

**Reference - Drawing Numbers**

Packaging Specification	PK-46018-001
Sales Drawing	SD-46018-001
Test Summary	TS-46018-001



Series image - Reference only

**EU ELV**

**Not Relevant**

**EU RoHS**

**Compliant**

**REACH SVHC**

Not Contained Per -ED/79/2015 (17 December 2015)

**Halogen-Free**

**Status**

**Low-Halogen**

**Need more information on product environmental compliance?**

Email [productcompliance@molex.com](mailto:productcompliance@molex.com)  
Please visit the [Contact Us](#) section for any non-product compliance questions.

China ROHS

ELV

Green Image

Not Relevant

**Search Parts in this Series**

[46018 Series](#)

**Use With**

5557 Mini-Fit Jr.™ Receptacles, 30067 Mini-Fit® TPA Receptacles, [42474 Mini-Fit® BMI Panel Mount Receptacles](#), [44516 Mini-Fit® BMI Panel Mount Slide-N-Lock Receptacles](#)

**Application Tooling | FAQ**

*Tooling specifications and manuals are found by selecting the products below. Crimp Height Specifications are then contained in the Application Tooling Specification document.*

**Global**

Description	Product #
Extraction Tool	<a href="#">0011030044</a>
Hand Crimp Tool for Crimp Terminals	<a href="#">0638191000</a>

FineAdjust™ Applicator for Insulation OD 1.30-1.50mm, 22-28 AWG Wire	<u>0639002700</u>
FineAdjust™ Applicator for Insulation OD 1.10-1.30mm - 22-28 AWG	<u>0639020200</u>
FineAdjust™ Applicator for Insulation OD 0.95-1.08mm - 22-28 AWG	<u>0639023800</u>
T2 Terminator™ for insulation OD 1.30-1.50mm - 22-28 AWG	<u>0639102700</u>
T2 Terminator™ for insulation OD 1.10-1.30mm - 22-28 AWG	<u>0639120200</u>
T2 Terminator™ for insulation OD 0.95-1.08mm - 22-28 AWG	<u>0639123800</u>

This document was generated on 06/10/2016

**PLEASE CHECK [WWW.MOLEX.COM](http://WWW.MOLEX.COM) FOR LATEST PART INFORMATION**