

PLEASE CHECK WWW.MOLEX.COM FOR LATEST PART INFORMATION

Part Number: [0359650292](#)
Status: **Active**
Description: 1.78mm Tab Multiple Wire-to-Wire Female Housing Terminal Position Assurance (TPA) Retainer, 2 Circuits

Documents:

3D Model	Product Specification PS-35180-003 (PDF)
Drawing (PDF)	Packaging Specification PK-35965-001 (PDF)
Product Specification PS-35180-002 (PDF)	RoHS Certificate of Compliance (PDF)

General

Product Family	Accessories
Series	35965
Component Type	Terminal Position Assurance
Product Name	TPA - Term Pos Assurance
UPC	800753131811

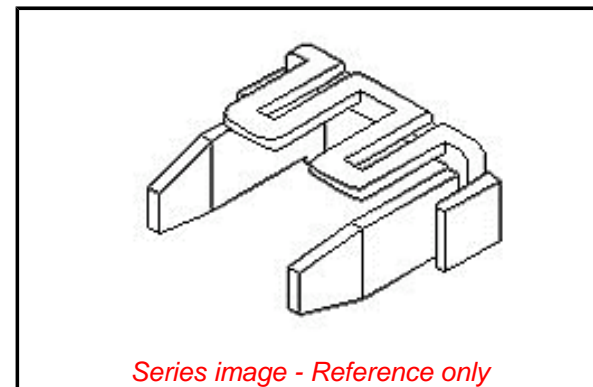
Physical

Circuits (Loaded)	2
Lock to Mating Part	Yes
Net Weight	0.320/g
Number of Rows	1
Packaging Type	Bag
Temperature Range - Operating	-40°C to +120°C

Material Info

Reference - Drawing Numbers

Packaging Specification	PK-35965-001
Product Specification	PS-35180-002, PS-35180-003
Sales Drawing	SD-35965-029*



Series image - Reference only

EU ELV

Not Relevant

EU RoHS

Compliant

REACH SVHC

Not Contained Per
-ED/79/2015 (17
December 2015)

Halogen-Free

Status

Low-Halogen

Need more information on product environmental compliance?

Email productcompliance@molex.com
Please visit the [Contact Us](#) section for any non-product compliance questions.

China ROHS
ELV

Green Image
Not Relevant

Search Parts in this Series

[35965](#) Series

Use With

[35965](#) Wire-to-Wire Female Housing