

PLEASE CHECK WWW.MOLEX.COM FOR LATEST PART INFORMATION

Part Number: [0745480212](#)
Status: **Active**
Overview: iPass™ Connector System
Description: External iPass™ Mini Multi-Lane SAS and SATA Guide Frame for Standard Host Boards, 1-by-4 Port Size, Port Keying 7

Documents:

[3D Model](#) [RoHS Certificate of Compliance \(PDF\)](#)
[Drawing \(PDF\)](#)

General

Product Family	EMI Cages
Series	74547
Application	Module-to-Board
Comments	Port Keying 7
Component Type	Guide Frame
Mates With	74547 iPass™ Cable Assembly
Overview	iPass™ Connector System
Product Name	Mini-SAS
UPC	822350393393
Use With	75586 Receptacle

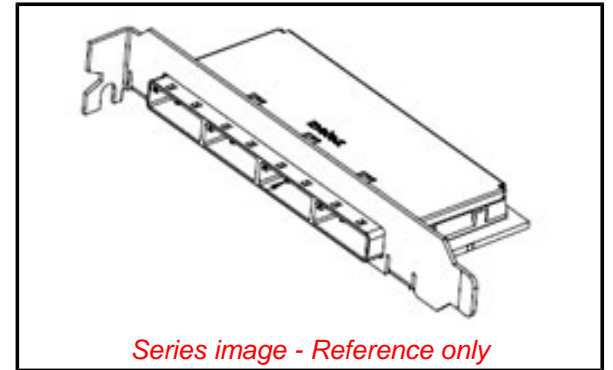
Physical

EMI Panel / Bezel Mount	Behind the Bezel
Light Pipes per Port	0
Material - Metal	Zinc Die Cast
Net Weight	38.000/g
Orientation	Horizontal
Packaging Type	Tray
Port Configuration	1x1
Rear Legs	0
Termination Interface: Style	N/A
Thermal Height	N/A
Thermal Solutions	Closed Top

Material Info

Reference - Drawing Numbers

Sales Drawing	SD-74548-200
---------------	--------------



EU ELV

Not Relevant

EU RoHS

Compliant

REACH SVHC

Contains SVHC(2014 December 17): No

Halogen-Free

Status

Low-Halogen

Need more information on product environmental compliance?

Email productcompliance@molex.com
Please visit the [Contact Us](#) section for any non-product compliance questions.

China ROHS

ELV

China RoHS

Green Image

Not Relevant

Search Parts in this Series

[74547](#) Series