

PLEASE CHECK WWW.MOLEX.COM FOR LATEST PART INFORMATION

Part Number: [1300130402](#)
Status: **Active**
Overview: Brad® Mini-Change® Connectors
Description: Mini-Change® Receptacle, 4 Poles, Flange Mount, Female (Straight) to 16 AWG Leads, 0.305m (1.0') Length

Documents:

[Drawing \(PDF\)](#) [RoHS Certificate of Compliance \(PDF\)](#)

Agency Certification

CSA LR6837
 UL E152210

General

Product Family Industrial Receptacles
 Series [130013](#)
 IP Rating IP67
 NEMA Rating NEMA 6
 Overview [Brad® Mini-Change® Connectors](#)
 Product Name Mini-Change®
 Type Single Ended (pigtail)
 UPC 78678843915

Physical

Coupling Type External Thread
 Gender Female
 Keyway Single
 Length 0.30m
 Material - Component PVC
 Mounting Thread Size N/A
 Orientation Straight
 Panel Mount With Flange
 Poles 4
 Temperature Range - Operating -20°C to +105°C
 Wire Size AWG 16
 Wire/Cable Type UL 1015

Electrical

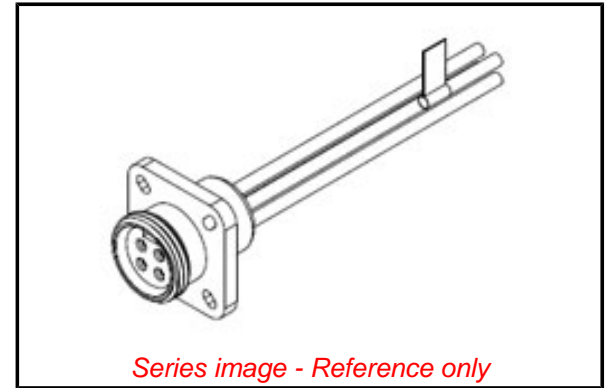
Current - Maximum per Contact 10.0A
 Voltage - Maximum 600V

Material Info

Old Part Number 1R4G04A20A120

Reference - Drawing Numbers

Sales Drawing SD-130013-008



Series image - Reference only

EU ELV

Not Reviewed

EU RoHS

Not Reviewed

REACH SVHC

Not Reviewed

Halogen-Free

Status

Not Reviewed

Need more information on product environmental compliance?

Email productcompliance@molex.com
 Please visit the [Contact Us](#) section for any non-product compliance questions.

China ROHS

Not Reviewed

ELV

Not Reviewed

China RoHS

Search Parts in this Series

[130013 Series](#)