

Think Automation and beyond...



FC5A-SIF2

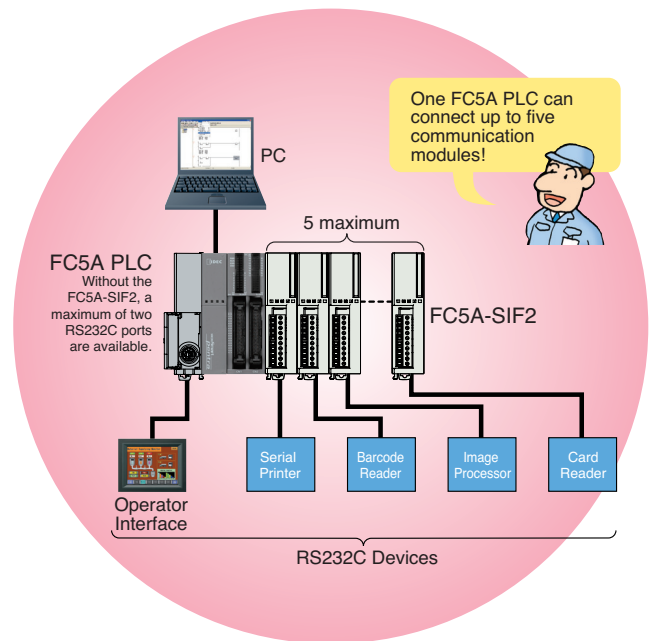
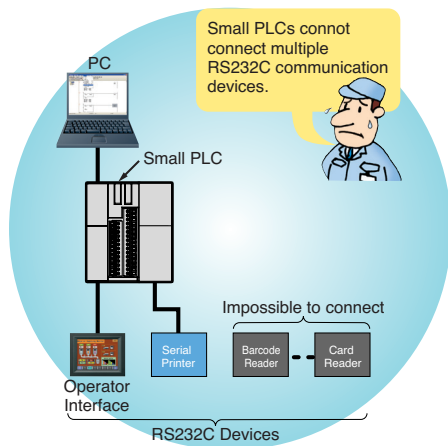
Expansion RS232C Communication Module

New Expansion Module for FC5A MicroSmart PLCs Add up to five RS232C communication ports to a CPU module

- The communication circuit is isolated from the internal circuit.
- User communications can be used to communicate with various external devices of different protocols.
- Wiring is easy with removable screw terminal blocks, using shielded cables.
- Maximum baud rate: 38.4 kbps

Application Examples

Connection to RS232C devices, such as serial printers, barcode readers, RFID equipment, vending machines, AV controllers, and PCs.



- WindLDR ver. 5.10 or higher is needed.
- Applicable FC5A CPU module firmware: Ver. 1.10 or higher
- WindLDR ver. 5.10 contains FC5A CPU module firmware ver. 1.10.
- If you have an older version of WindLDR, you can download the latest versions of WindLDR and FC5A CPU module firmware from the IDEC website.

FC5A-SIF2 Expansion RS232C Communication Module

FC5A MicroSmart CPU Module (Slim Type)

Types

Name	Type No.	Remarks
Expansion RS232C Communication Module	FC5A-SIF2	RS232C × 1 port
User's Manual	FC9Y-B969	English user's manual

FC5A-SIF2 Expansion RS232C Communication Module

Specifications

• General Specifications

Number of Channels	1
Synchronization	Start-stop synchronization
Electrical Characteristics	EIA RS232C compliant
Maximum Delay in One Scan	Approx. 4 ms
Operating Temperature	0 to 55°C
Operating Humidity	10 to 95% RH (no condensation)
Recommended Cable Specifications	Shielded multi-core cable: 24AWG × 6 Dielectric strength: 2000 V/min Insulation resistance: 100 MΩ/km
Maximum Cable Length	3m
Connector	MC1.5/10-G-3.81BK (Phoenix Contact) Applicable terminal block: FC4A-PMT10P (supplied)
Connector Insertion/Removal Durability	100 times minimum
Isolation from Internal Circuit	Transformer isolated
Quantity of Applicable Expansion RS232C Communication Modules	Slim type CPU module: 5 max. All-in-one 24-I/O type CPU module: 3 max. (Note)
Internal Current Draw	85 mA (5V DC) 0 mA (24V DC)
Weight	Approx. 100g

Note: The all-in-one 24-I/O type CPU module cannot use the expansion RS232C communication modules in combination with function modules listed below. When using the expansion RS232C communication module in combination with these function modules, use the slim type CPU module.

Function Module	Type No.
Analog I/O Module	FC4A-L03A1, FC4A-L03AP1, FC4A-J2A1, FC4A-J4CN1, FC4A-J8C1, FC4A-J8AT1, FC4A-K1A1, FC4A-K2C1
AS-Interface Master Module	FC4A-AS62M

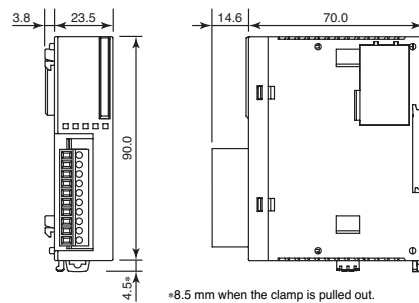
• Communication Specifications

Communication Parameters	Baud Rate (bps)	1200, 2400, 4800, 9600, 19200, 38400
	Data Bits	7 or 8
	Parity	Odd, even, none
	Stop Bits	1 or 2
Protocol	Maintenance Communication	Possible (except for user program download and upload)
	User Communication	Possible

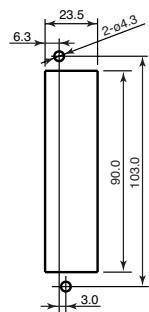
• Terminal Arrangement

Terminal	I/O	Description
RS (RTS)	Output	Request to Send (constant voltage terminal)
ER (DTR)	Output	Data Terminal Ready
SD (TXD)	Output	Transmit Data
RD (RXD)	Input	Receive Data
DR (DSR)	Input	Data Set Ready
SG (SG)	—	Signal Ground
NC	—	No connection
⏏	—	Functional ground (can be used as junction terminals of functional ground; not connected to the internal circuit)
⏏	—	
⏏	—	

Dimensions



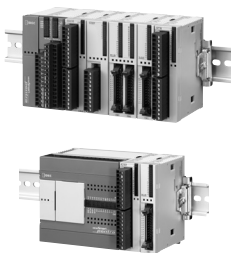
Mounting Hole Layout



All dimensions in mm.

MICROSmart pentra FC5A / MICROSmart FC4A Programmable Controllers

IDEC Logic Engine makes the FC5A slim CPU the fastest PLC in its class Supports double-word and floating point math operations



- Total I/O: 512 points (slim type)
88 points (all-in-one type)
- Input: 24V DC sink/source
- Output: Relay (240V AC/2A, 30V DC/2A)
Transistor sink/source (0.3A slim type only)
- Program Capacity: 62.4 KB (slim type)
27 KB (all-in-one type)
- Instruction Words: 35 basic
92 advanced (slim type)
81 advanced (all-in-one type)

WindLDR



WindLDR Ver. 5.*



For details, see separate catalog EP1101.

Specifications and other descriptions in this leaflet are subject to change without notice.



IDEC CORPORATION

IDEC CORPORATION (USA)
Tel: +1-408-747-0550 / (800) 262-IDEAC (4332)
Fax: +1-408-744-9055 / (800) 635-6246
E-mail: opencontact@idec.com

IDEC CANADA LIMITED
Tel: +1-905-890-8561, Toll Free: (888) 317-4332
Fax: +1-905-890-8562
E-mail: sales@ca.idec.com

IDEC AUSTRALIA PTY. LTD.
Tel: +61-3-9763-3244, Toll Free: 1-800-68-4332
Fax: +61-3-9763-3255
E-mail: sales@au.idec.com

IDEC ELECTRONICS LIMITED
Tel: +44-1256-321000, Fax: +44-1256-327755
E-mail: sales@uk.idec.com

IDEC ELEKTROTECHNIK GmbH
Tel: +49-40-25 30 54 - 0, Fax: +49-40-25 30 54 - 24
E-mail: service@idec.de

IDEC (SHANGHAI) CORPORATION
Tel: +86-21-5353-1000, Fax: +86-21-5353-1263
E-mail: idec@cn.idec.com

IDEC (BEIJING) CORPORATION
Tel: +86-10-6581-6131, Fax: +86-10-6581-5119

IDEC (SHENZHEN) CORPORATION
Tel: +86-755-8356-2977, Fax: +86-755-8356-2944

7-31, Nishi-Miyahara 1-Chome, Yodogawa-ku, Osaka 532-8550, Japan
Tel: +81-6-6398-2571, Fax: +81-6-6392-9731
E-mail: products@idec.co.jp

www.idec.com