

PLEASE CHECK WWW.MOLEX.COM FOR LATEST PART INFORMATION

Part Number: [0467651001](#)

Status: **Active**

Overview: [High Definition Multimedia Interface \(HDMI*\) Micro Connectors](#)

Description: 0.40mm Pitch Micro HDMI* Connector, Right Angle Receptacle, Surface Mount, with Through Hole Shell Tabs and Kapton Tape, 19 Circuits, Lead-Free

Documents:

[3D Model](#)

[Drawing \(PDF\)](#)

[Packaging Specification PK-46765-001 \(PDF\)](#)

[RoHS Certificate of Compliance \(PDF\)](#)

Agency Certification

CSA LR19980

General

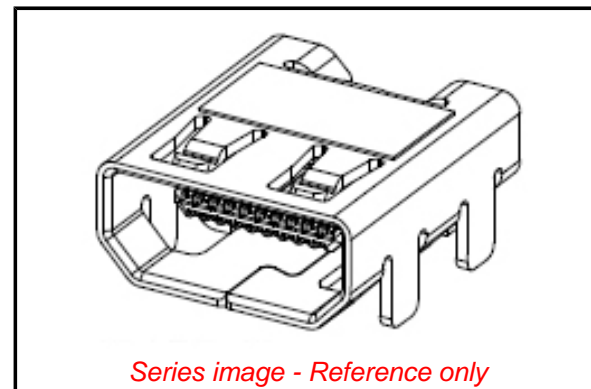
Product Family	I/O Connectors
Series	46765
Application	Wire-to-Board
Component Type	Receptacle
Overview	High Definition Multimedia Interface (HDMI*) Micro Connectors
Product Name	Micro HDMI*
Type	D
UPC	884982008571

Physical

Boot Color	N/A
Circuits (Loaded)	19
Circuits (maximum)	19
Flammability	94V-0
Gender	Male
Keying to Mating Part	Yes
Lock to Mating Part	Yes
Material - Metal	Copper Alloy
Material - Plating Mating	Gold
Material - Plating Termination	Gold
Material - Resin	High Temperature Thermoplastic
Net Weight	0.309/g
Number of Rows	2
Orientation	Right Angle
PCB Retention	Yes
Packaging Type	Embossed Tape on Reel
Panel Mount	No
Pitch - Mating Interface	0.40mm
Pitch - Termination Interface	0.40mm
Plating min - Mating	0.762µm
Plating min - Termination	0.051µm
Polarized to Mating Part	Yes
Polarized to PCB	Yes
Ports	1
Termination Interface: Style	Surface Mount
Waterproof / Dustproof	No

Electrical

Current - Maximum per Contact	0.8A
Grounding to Panel	Yes
Shield Type	Full Shield
Shielded	Yes



EU ELV

Not Relevant

EU RoHS

Compliant

REACH SVHC

Not Contained Per -
ED/21/2016 (20 June
2016)

Halogen-Free

Status

Low-Halogen

**Need more information on product
environmental compliance?**

Email productcompliance@molex.com
Please visit the [Contact Us](#) section for any
non-product compliance questions.

China ROHS

ELV

Green Image

Not Relevant

Search Parts in this Series

[46765](#) Series

Mates With

[68786](#) Micro HDMI* Cable Assemblies

Voltage - Maximum 30V

Solder Process Data

Duration at Max. Process Temperature (seconds)	010
Lead-free Process Capability	REFLOW
Max. Cycles at Max. Process Temperature	002
Process Temperature max. C	260

Material Info

Reference - Drawing Numbers

Electrical Model Document	EE-46765-001
Packaging Specification	PK-46765-001
Sales Drawing	SD-46765-001

* High Definition Multimedia Interface and HDMI are trademarks of HDMI Licensing, LLC.

This document was generated on 07/21/2016

PLEASE CHECK WWW.MOLEX.COM FOR LATEST PART INFORMATION