

PLEASE CHECK WWW.MOLEX.COM FOR LATEST PART INFORMATION

Part Number: [5025781000](#)
Status: **Active**
Overview: [CLIK-Mate™ Wire-to-Board Connectors](#)
Description: [CLIK-Mate™ Wire-to-Board Housing, Single Row, Positive Lock, 10 Circuits](#)

Documents:

[3D Model](#) [RoHS Certificate of Compliance \(PDF\)](#)
[Drawing \(PDF\)](#)

General

Product Family	Crimp Housings
Series	502578
Application	Signal, Wire-to-Board
Overview	CLIK-Mate™ Wire-to-Board Connectors
Product Name	CLIK-Mate™
UPC	800756700724

Physical

Circuits (maximum)	10
Color - Resin	Beige
Gender	Plug
Glow-Wire Compliant	No
Keying to Mating Part	Yes
Lock to Mating Part	Yes
Net Weight	474.500/mg
Number of Rows	1
Packaging Type	Bag
Panel Mount	No
Pitch - Mating Interface	1.50mm
Polarized to Mating Part	Yes
Stackable	No
Temperature Range - Operating	-40°C to +105°C

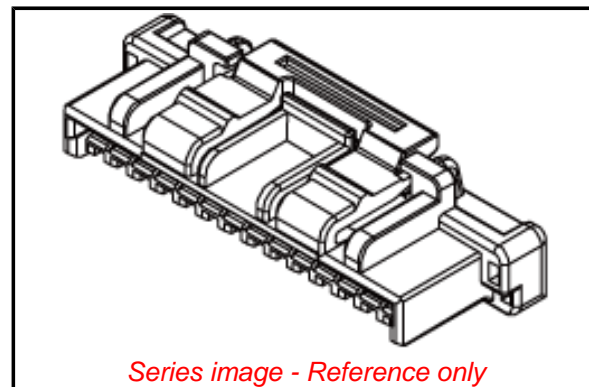
Electrical

Current - Maximum per Contact	2.0A
-------------------------------	------

Material Info

Reference - Drawing Numbers

Product Specification	RPS-503159-001
Sales Drawing	SD-502578-001



Series image - Reference only

EU ELV

Not Relevant

EU RoHS

Compliant

REACH SVHC

Not Contained Per -
ED/21/2016 (20 June
2016)

Halogen-Free

Status

Not Low-Halogen

**Need more information on product
environmental compliance?**

Email productcompliance@molex.com
Please visit the [Contact Us](#) section for any
non-product compliance questions.

China ROHS
ELV

Green Image
Not Relevant

Search Parts in this Series

[502578](#) Series

Mates With

[503395](#) Bottom-Entry Receptacle . [503175](#)
Right Angle, Through Hole Receptacle .
[502585](#) Right Angle, Surface Mount
Receptacle
 [503159](#) Vertical, Through
Hole Receptacle
 [502584](#) , [505405](#)
Vertical, Surface Mount Receptacle

Use With

[502579](#) Crimp Terminal for 24-28 AWG .
[503429](#) Crimp Terminal for 26-30 AWG