

# TOWERS OF POWER

*Our High Power Blocks Stand Tall*

*2008 High Power Terminal Block  
Short-Form Catalog*



**BLOCK MASTER BLOCKS**  
™

**World Class Terminal Blocks**

**1400 Howard Street  
Elk Grove Village, IL 60007  
(800) 595-8881  
[www.BLOCKMASTER.com](http://www.BLOCKMASTER.com)**

# More Power To You!

## BlockMaster Introduces 20 - 250A Terminal Blocks



Thank you for your interest in BlockMaster Electronics. You hold in your hands BlockMaster's newest short-form brochure. Printed as a companion to our newly updated website, [www.blockmaster.com](http://www.blockmaster.com), this brochure marks the release of some very exciting new products: our **HIGH-POWER** terminal blocks.

The blocks in our high-power series start at 20A@300V and are available up to 250A@600V. They are offered in both PC board and thru-panel styles. The majority of the blocks are offered with clear plastic covers for further protection during field installation, and all of them have UL approval and are completely RoHS compliant.

Our high-power series also includes the JB-OTB-358, our **JELLY BEANS** style terminal block. Each terminal position in this block is color-coded to promote easy field wiring.



Just a few of the ideal applications for our high-power series include power supplies, HVAC controls, motor controls, industrial controls, and off-road vehicles. With power like this, though, we're sure these blocks will end up in countless other solutions. Just call BlockMaster and let us help you find the perfect block for your application!

**Phone: (800) 595-8881**

**Fax: (847) 956-1690**

**1400 Howard Street  
Elk Grove Village, IL 60007**

**DawnK@BlockMaster.com**

This is an exciting time for BlockMaster as we continue to broaden our offerings in order to provide the most comprehensive terminal block selection in the market. Full technical specifications for all products listed in this brochure are also available on our website, [www.blockmaster.com](http://www.blockmaster.com). We are continually updating this site as new product becomes available.

If we can provide any additional assistance, samples, or technical help, please feel free to contact us. In addition to the new brochure, BlockMaster can also offer a variety of sample kits and other support items. We are here to meet your needs!

Best Regards,

**Dawn Kinzer**

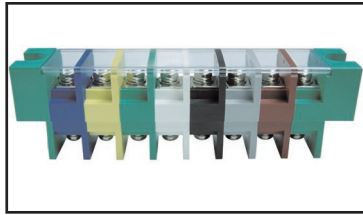
General Manager  
BlockMaster Electronics

**[www.BLOCKMASTER.com](http://www.BLOCKMASTER.com)**



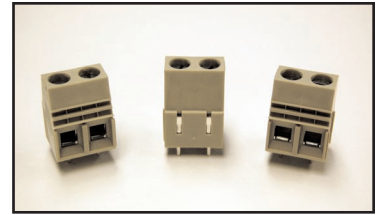
**JB-OTB-358**

Multi-Colored Terminal Block  
 600V / 60A



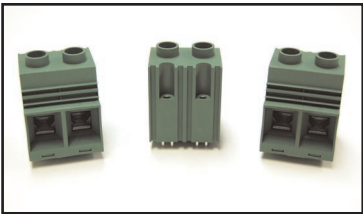
**MH-120-016M4**

Modular, Printed-Circuit Terminal Block  
 300V / 65A



**MH-130-1505**

Modular, Printed-Circuit Terminal Block  
 600V / 125A



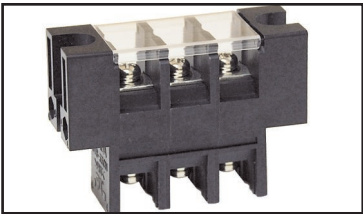
**OGM-300N**

Thru-Panel Terminal Block  
 300V / 25A



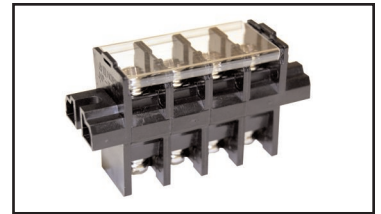
**OTB-330N**

Thru-Panel Terminal Block  
 600V / 30A



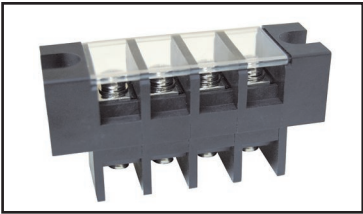
**OTB-351**

Thru-Panel Terminal Block  
 300V / 20A



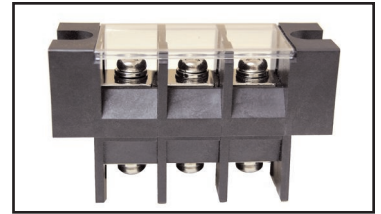
**OTB-358**

Modular, Thru-Panel Terminal Block  
 600V / 60A



**OTB-388**

Thru-Panel Terminal Block  
 600V / 100A



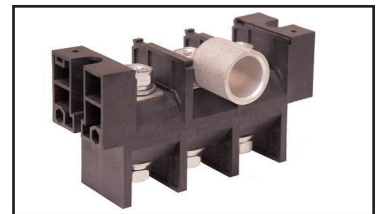
**OTB-488**

Thru-Panel Terminal Block  
 600V / 100A



**OTB-588**

Thru-Panel Terminal Block  
 600V / 250A



**OTB-1500**

PCB Terminal Block  
 600V / 100A



**OTP-80**

Panel-Distribution Terminal Block  
 600V / 80A





**Jelly Beans Series**  
Multi-Colored Terminal Blocks

**PART#: JB-OTB-358**

**Type:**  
Color-Coded Thru-Panel

**Features:**  
Thru-Panel, Barrier Construction  
Plastic, Finger-Safe Cover  
Color-Coded Terminal Positions

**Applications:**  
Suitable for:  
Motor/Industrial/Pump Controls  
Electrical Switch Gear  
Off-Highway Vehicles

**Electrical**  
**Rated Voltage:**  
600V  
**Rated Current:**  
60A

**Wire Size:**  
3-10AWG CU

**Operating Temperature:**  
-40C to +90C

**Materials**  
**Housing:**  
Polycarbonate (UL94V-0)

**Cover:**  
Polycarbonate (UL94V-0), Clear

**Terminal:**  
Brass, Nickel-Plated

**Positions Available:**  
1-15

**Screw Size:**  
M5x12L, Steel, Nickel-Plated

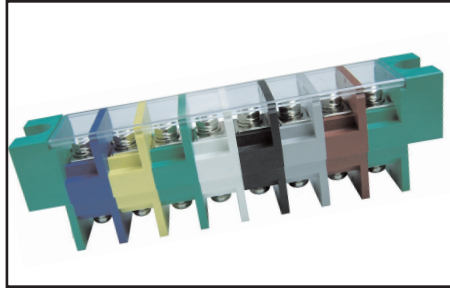
**Withstanding Voltage:**  
AC2500V

**Torque:**  
2 lbs. per inch

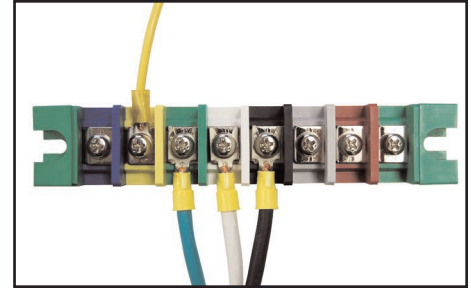
**Brand New! Unique Product Development!**

**Pitch: 16mm**

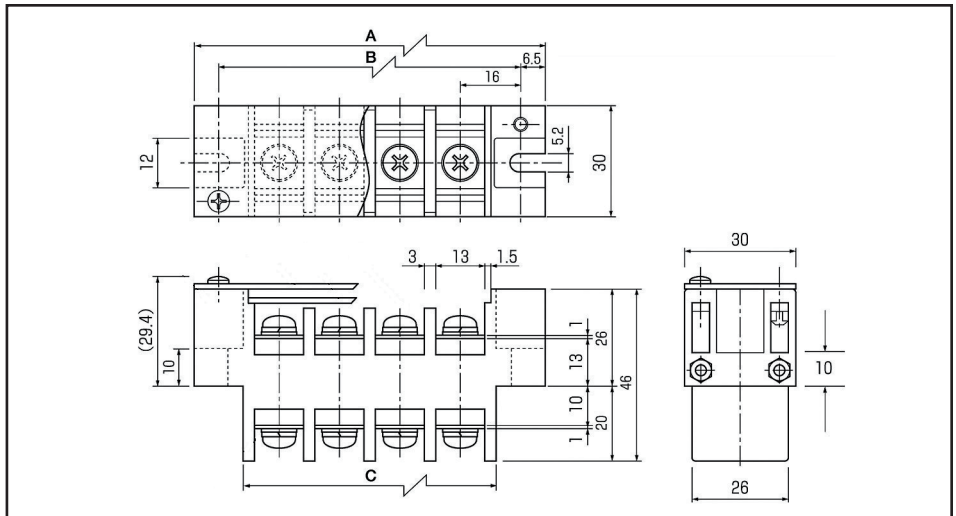
**600 Volts / 60 Amps**



JB-OTB-358 with clear cover installed



Typical application: color-coded wire



**Available Colors:**



BlockMaster Electronics' new JB-OTB-358 Series are medium-power, thru-panel terminal blocks available in 1-15 positions, which can be color-coded to match field wiring.

BlockMaster can help you solve the age-old problem of incorrect field wiring. This product can have a different color for each position, helping to eliminate installation mistakes. The installer simply matches the wire color to the terminal block position color.

These blocks are perfect for interfacing internally wired products to the outside world. They offer a clear, protective cover to reduce shock hazard and each terminal has a screw with lock-washer for convenient field wiring as shown. Color-coded terminals help installers make proper field connections.



**HOW TO ORDER:**

**JB-OTB-358**   **P**

↓  
**Poles**  
**1-15**



World Class Terminal Blocks

1400 Howard Street Phone: (847) 956-1680  
Elk Grove Village, IL 60007 Fax: (847) 956-1690

[www.BlockMaster.com](http://www.BlockMaster.com)

4/09/08



# Brand New! Unique Product Development!

Modular Printed-Circuit High-Power Block

10.16mm

300 Volts / 65 Amps

**PART#:**

**MH120-016M4**

**Type:**

Modular Printed Circuit High-Power Terminal Block

**Features:**

High-Power, Modular Design

**Applications:**

Suitable for:  
Power Supplies  
Back Planes  
Industrial Controls  
HVAC Controls  
Motor Controls

**Electrical**

**Rated Voltage:**

300V

**Rated Current:**

65A

**Wire Size:**

6-26 AWG

Solid or Stranded

**Operating Temperature:**

-40C to +105C

**Materials**

**Housing:**

Polyamide 66 (UL94V-0)

Standard Color: Green

**Terminal:**

Copper, Tin-Plated

**Positions Available:**

2 to 3 Single

Up to 24 Modular

**Screw Size:**

M4.0, Steel, Zinc-Plated

**Cage Clamp:**

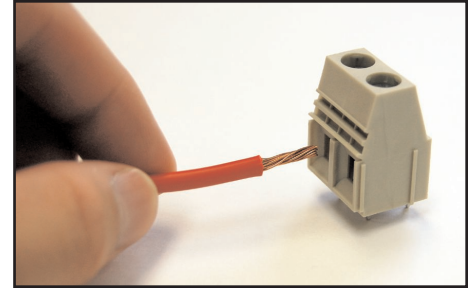
Steel, Zinc-Plated

**Torque:**

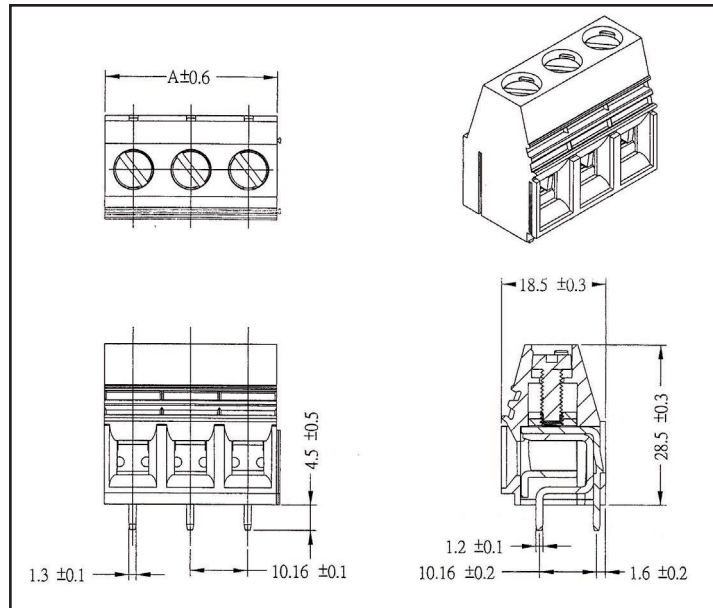
20.5 lbs. per inch

**PCB Hole Diameter:**

1.6 mm



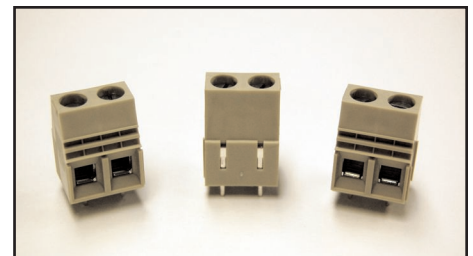
(10AWG Wire Shown)



BlockMaster Electronics' new MH Series are modular, high-power terminal blocks available in 2-6 positions as modules.

These modules can be assembled in combinations to accommodate up to 24 positions. Connect up to 65A to your PC board!

If your application requires the connection of large gauge wires to PC boards, BlockMaster's MH series are the blocks for you.



## HOW TO ORDER:

MH120-016M4□□

□□ : Poles  
016 : Pitch 10.16mm  
120 : STANDARD  
MH : Type



**BLOCK MASTER BLOCKS**  
TM

World Class Terminal Blocks

1400 Howard Street Phone: (847) 956-1680  
Elk Grove Village, IL 60007 Fax: (847) 956-1690

[www.BlockMaster.com](http://www.BlockMaster.com)

4/09/08

# Brand New! Unique Product Development!

**Modular Printed-Circuit High-Power Block**

**15mm**

**600 Volts / 125 Amps**

**PART#:**

**MH130-1505**

**Type:**

Modular Printed Circuit High-Power Terminal Block

**Features:**

High-Power, Side-Stackable Design

**Applications:**

Suitable for:  
Power Supplies  
Back Planes  
Industrial Controls  
HVAC Controls  
Motor Controls

**Electrical**

**Rated Voltage:**

600V UL

**Rated Current:**

125A

**Wire Size:**

2-20AWG  
Stranded

**Operating Temperature:**

-40C to +105C

**Materials**

**Housing:**

Polyamide 66 (UL94V-0)  
Standard Color: Green

**Terminal:**

Copper, Tin-Plated

**Positions Available:**

2 to 8 Single  
2 to 24 Side-Stackable

**Screw Size:**

M5.0, Steel, Zinc-Plated

**Cage Clamp:**

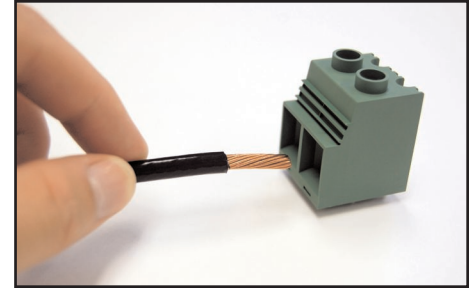
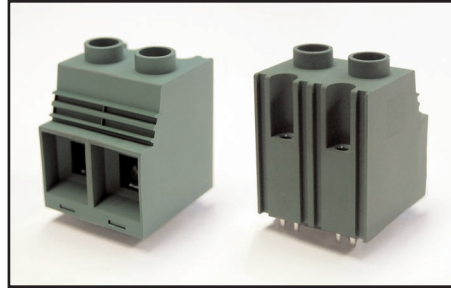
Steel, Zinc-Plated

**Torque:**

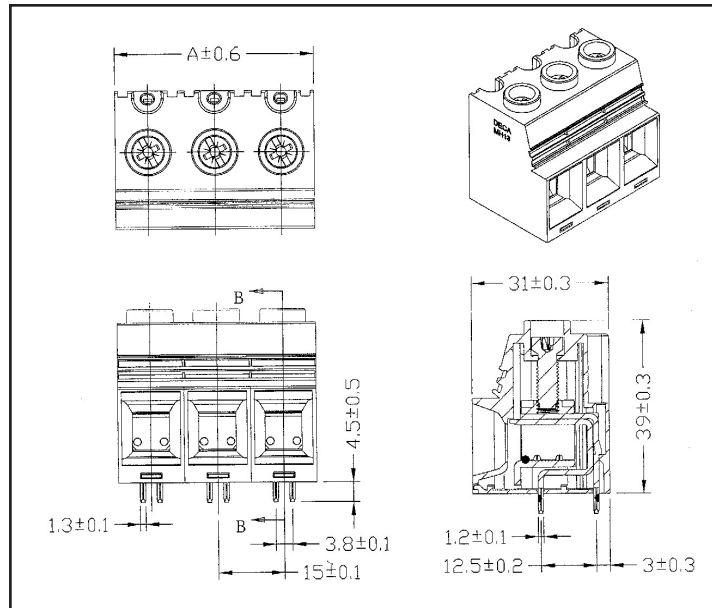
30 lbs. per inch

**PCB Hole Diameter:**

1.6 mm



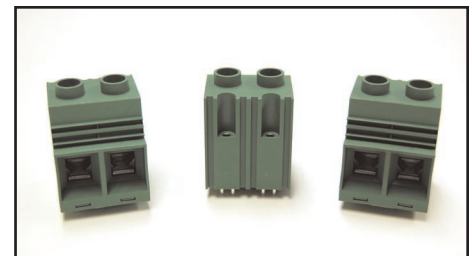
(2AWG Wire Shown)



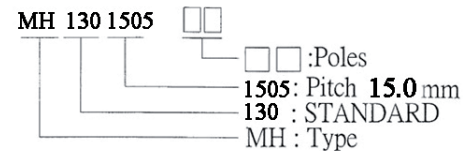
**BlockMaster Electronics' new MH Series are modular, high-power terminal blocks available in 2-8 positions as singles.**

**These modules can be side-stacked in combinations to accommodate up to 24 positions. Connect up to 125A to your PC board!**

**If your application requires the connection of large-gauge wires to PC boards, BlockMaster's MH series are the blocks for you.**



**HOW TO ORDER:**



World Class Terminal Blocks

4/09/08

1400 Howard Street Phone: (847) 956-1680  
Elk Grove Village, IL 60007 Fax: (847) 956-1690

[www.BlockMaster.com](http://www.BlockMaster.com)



# Brand New! Unique Product Development!

Medium-Power Thru-Panel Terminal Block

Pitch: 11mm

300 Volts / 25 Amps

**PART#:**

**OGM-300NE**

**Type:**

Medium-Power Thru-Panel

**Features:**

Thru-Panel Barrier Construction

**Applications:**

Suitable for:  
Motor Controls  
Electric Heaters  
Industrial Controls  
Pumps  
Power Supplies  
Lighting

**Electrical**

**Rated Voltage:**

300V

**Rated Current:**

25A

**Wire Size:**

14-22 AWG

**Operating Temperature:**

-40C to +90C

**Materials**

**Housing:**

Polycarbonate (UL94V-0)  
Standard Color: Black

**Cover:**

Polycarbonate (UL94V-0), Clear

**Terminal:**

Brass, Nickel-Plated

**Positions Available:**

2-23

**Screw Size:**

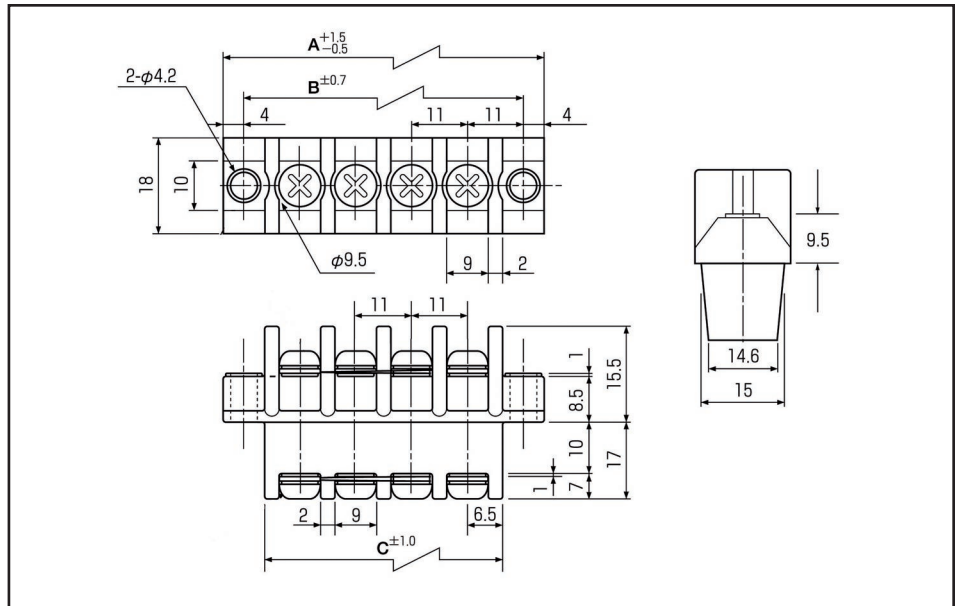
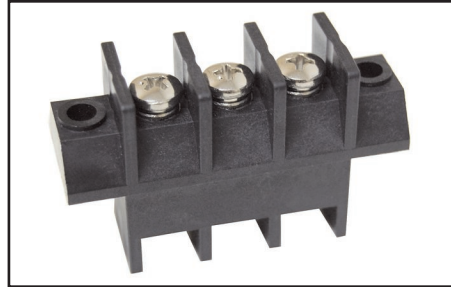
M4, Brass, Nickel-Plated

**Withstanding Voltage:**

AC2000V

**Torque:**

1.2 lbs. per inch



BlockMaster Electronics' new OGM-300NE Series are medium-power, thru-panel terminal blocks available in 2-23 positions.

BlockMaster's OGM-300NE series are perfect for interfacing internally wired products to the outside world. Each terminal has a screw with lockwasher for convenient field wiring. Suitable for motor controls, electric heaters, industrial controls or any medium-power field wiring to control box application.



**HOW TO ORDER:**

**OGM-300NE**  **P**

Poles  
2-23



World Class Terminal Blocks

1400 Howard Street Phone: (847) 956-1680  
Elk Grove Village, IL 60007 Fax: (847) 956-1690

[www.BlockMaster.com](http://www.BlockMaster.com)

4/09/08

# Brand New! Unique Product Development!

Medium-Power Thru-Panel Terminal Block

Pitch: 13mm

600 Volts / 30 Amps

**PART#:**

**OTB-330N**

**Type:**

Medium-Power Thru-Panel

**Features:**

SEMS Screws

Plastic Finger-Safe Cover Included

**Applications:**

Suitable for:

Power Supplies

Industrial Controls

Motor Drives

Variable-Speed Controls

All Thru-Panel, Medium-Power

Current Applications

**Electrical**

**Rated Voltage:**

600V

**Rated Current:**

30A

**Wire Size:**

12-22 AWG CU

**Operating Temperature:**

-40C to +90C

**Materials**

**Housing:**

Polycarbonate (UL94V-0)

Standard Color: Black

**Cover:**

Polycarbonate (UL94V-0), Clear

**Terminal:**

Brass, Nickel Plated

**Positions Available:**

2-15

**Screw Size:**

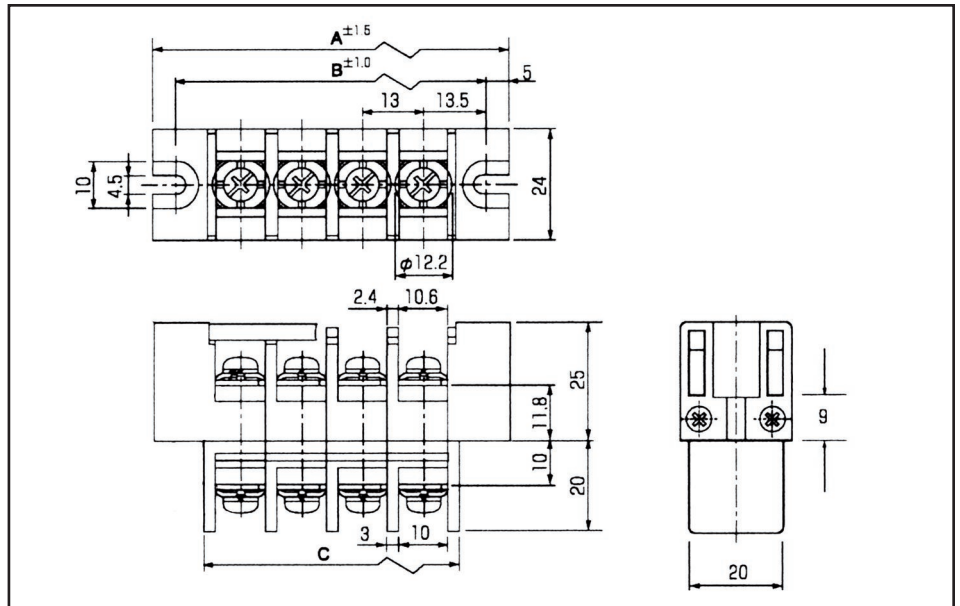
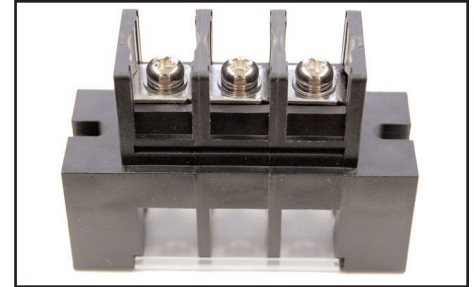
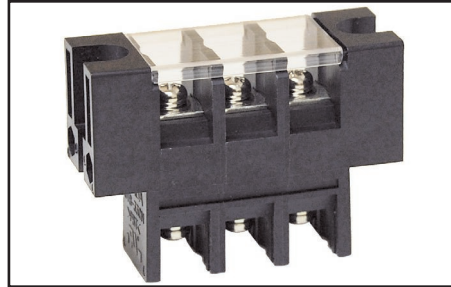
M4, Steel, Nickel-Plated

**Withstanding Voltage:**

AC2500V

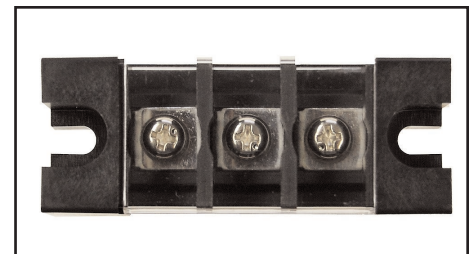
**Torque:**

12.4 lbs. per inch



BlockMaster Electronics' new OTB-330N Series are medium-power, thru-panel terminal blocks available in 2-15 positions.

BlockMaster's OTB-330N series are perfect for interfacing internally wired products to the outside world. They offer a clear, protective cover to reduce shock hazard, and each terminal has a screw with lockwasher for convenient field wiring. Suitable for industrial controls, spa controls or any medium-power field wiring to control box application.



**HOW TO ORDER:**

**OTB-330N**



**Poles  
2-15**



4/09/08

World Class Terminal Blocks

1400 Howard Street Phone: (847) 956-1680  
Elk Grove Village, IL 60007 Fax: (847) 956-1690

[www.BlockMaster.com](http://www.BlockMaster.com)



# Brand New! Unique Product Development!

Modular Thru-Panel Medium-Power Block

Pitch: 8.5mm

300 Volts / 20 Amps

**PART#:**  
**OTB-351**

**Type:**  
Medium-Power Thru-Panel

**Features:**  
SEMS Screws  
Plastic, Finger-Safe Cover Included

**Applications:**  
Suitable for:  
Power Supplies  
Servo & Variable Frequency  
Motor Drives  
Lighting  
Industrial Controls  
Electric Heating

**Electrical**

**Rated Voltage:**  
300V

**Rated Current:**  
20A

**Wire Size:**  
12-22 AWG

**Operating Temperature:**  
-30C to +80C

**Materials**

**Housing:**  
Polycarbonate (UL94V-0)  
Standard Color: Black

**Cover:**  
Polycarbonate (UL94V-0), Clear

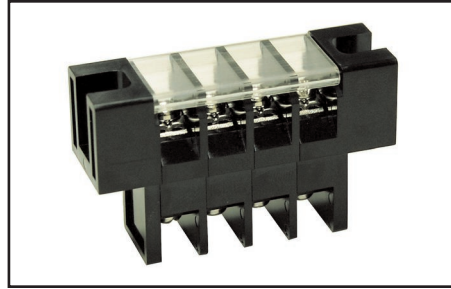
**Terminal:**  
Brass, Nickel-Plated

**Positions Available:**  
2-15

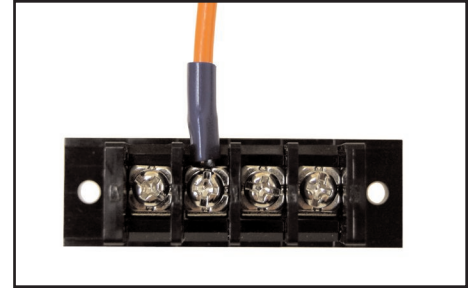
**Screw Size:**  
M3.0 and M3.5, Steel, Nickel-Plated

**Withstanding Voltage:**  
AC2000V

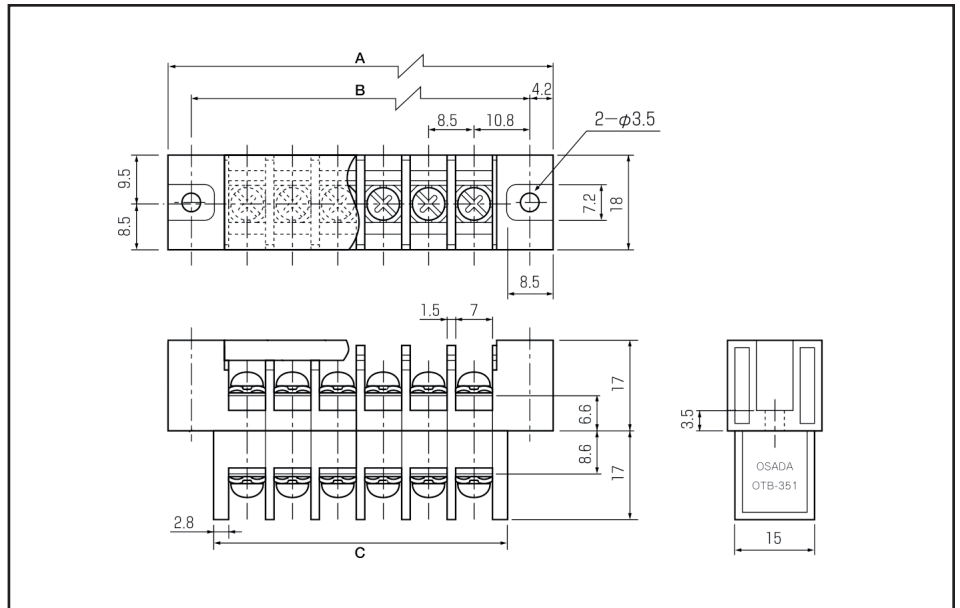
**Torque:**  
8.85 lbs. per inch



OTB-351 with clear cover installed

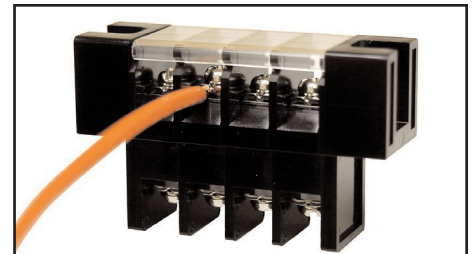


(Typical Application)

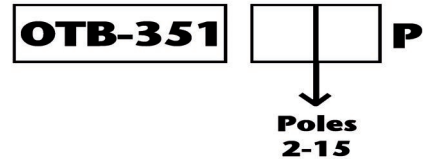


BlockMaster Electronics' new OTB-351 Series are medium-power, thru-panel terminal blocks available in 2-15 positions.

BlockMaster's OTB-351 series are perfect for interfacing internally wired products to the outside world. They offer a clear, protective cover to reduce shock hazard, and each terminal has a SEMS screw for convenient field wiring as shown. Suitable for industrial controls, spa controls or any medium-power field wiring to control box application.



**HOW TO ORDER:**



4/09/03

World Class Terminal Blocks

1400 Howard Street Phone: (847) 956-1680  
Elk Grove Village, IL 60007 Fax: (847) 956-1690

[www.BlockMaster.com](http://www.BlockMaster.com)

# Brand New! Unique Product Development!

**Modular Thru-Panel Medium-Power Block**

**Pitch: 16mm**

**600 Volts / 60 Amps**

**PART#:**  
**OTB-358**

**Type:**  
Medium-Power Thru-Panel

**Features:**  
Thru-Panel, Barrier Construction  
Plastic, Finger-Safe Cover Included

**Applications:**  
Suitable for:  
Motor Controls  
Industrial Controls  
Pump Controls  
Electrical Switch Gear  
Off-Highway Vehicles

**Electrical**  
**Rated Voltage:**  
600V

**Rated Current:**  
60A

**Wire Size:**  
3-10AWG CU

**Operating Temperature:**  
-40C to +90C

**Materials**  
**Housing:**  
Polycarbonate (UL94V-0)  
Standard Color: Black  
**Cover:**  
Polycarbonate (UL94V-0), Clear

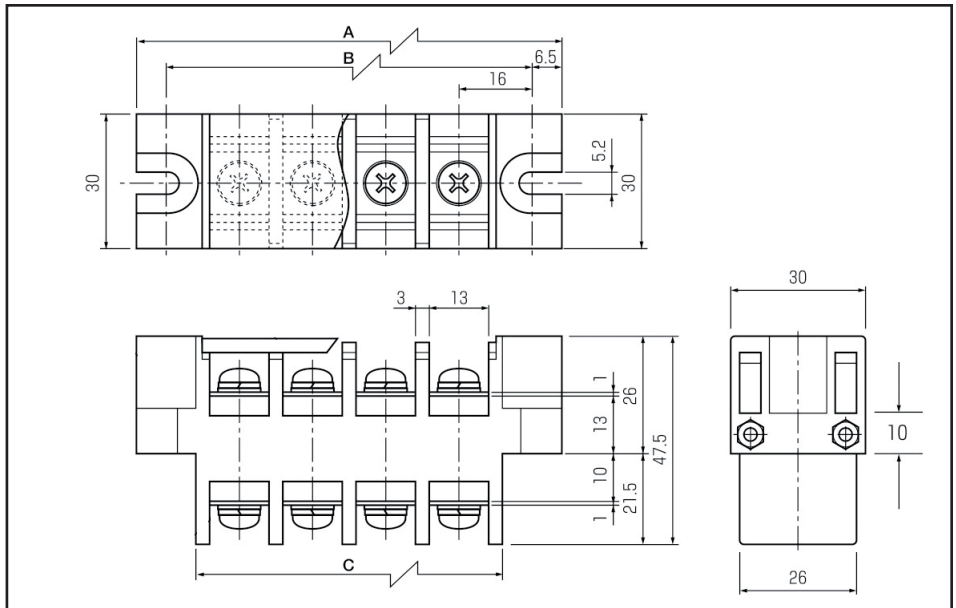
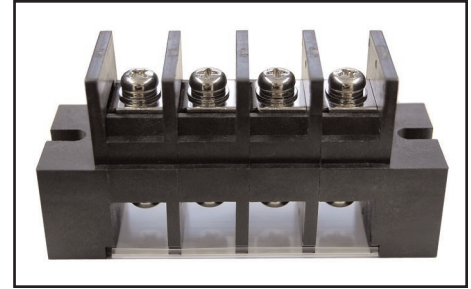
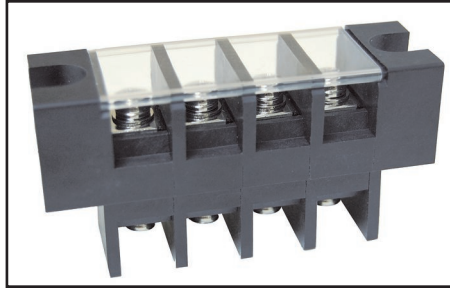
**Terminal:**  
Brass, Nickel-Plated

**Positions Available:**  
2-15

**Screw Size:**  
M5x12L, Steel, Nickel-Plated

**Withstanding Voltage:**  
AC2500V

**Torque:**  
18 lbs. per inch

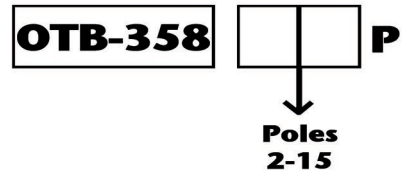


**BlockMaster Electronics' new OTB-358 Series are medium-power, thru-panel terminal blocks available in 2-15 positions.**

**BlockMaster's OTB-358 series are perfect for interfacing internally wired products to the outside world. They offer a clear, protective cover to reduce shock hazard, and each terminal has a screw with lockwasher for convenient field wiring. These blocks are suitable for industrial controls, spa controls or any medium-power field wiring to control box application.**



## HOW TO ORDER:



4/09/08

World Class Terminal Blocks

1400 Howard Street Phone: (847) 956-1680  
Elk Grove Village, IL 60007 Fax: (847) 956-1690

[www.BlockMaster.com](http://www.BlockMaster.com)



# Brand New! Unique Product Development!

High-Power Thru-Panel Terminal Block

Pitch: 21mm

600 Volts / 100 Amps

**PART#:**  
**OTB-388**

**Type:**  
High-Power Thru-Panel

**Features:**  
Thru-Panel Barrier Construction  
Plastic, Finger-Safe Cover Included  
SEMS Screws

**Applications:**  
Suitable for:  
Electrical Switch Gear  
Motor Controls  
Motor/Gen Sets  
Electric Heating  
Spa Controls  
Off-Highway Vehicles

**Electrical**

**Rated Voltage:**  
600V

**Rated Current:**  
100A

**Wire Size:**  
2-8 AWG CU

**Operating Temperature:**  
-40C to +90C

**Materials**

**Housing:**  
Polycarbonate (UL94V-0)  
Standard Color: Black

**Cover:**  
Polycarbonate (UL94V-0), Clear

**Terminal:**  
Brass, Nickel-Plated

**Positions Available:**  
2-15

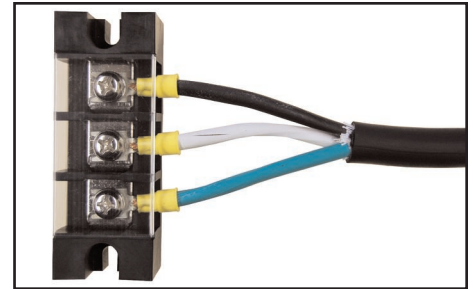
**Screw Size:**  
M6, Steel, Nickel-Plated

**Withstanding Voltage:**  
AC2500V

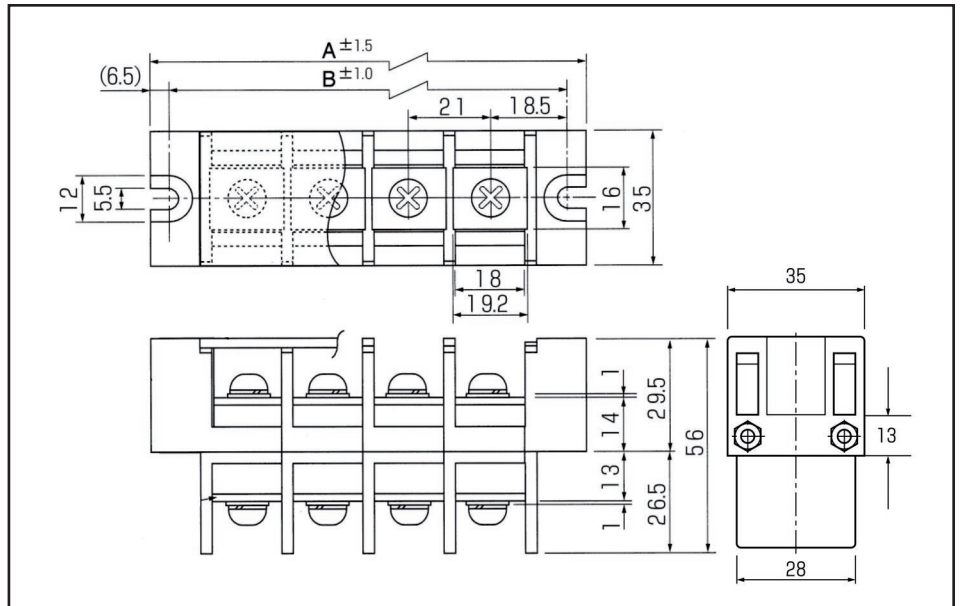
**Torque:**  
26 lbs. per inch



OTB-388 with clear cover installed

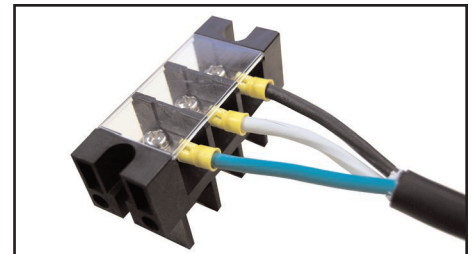


(Typical Application)

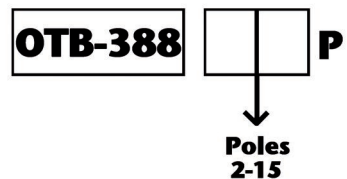


BlockMaster Electronics' new OTB-388 Series are medium-power, thru-panel terminal blocks available in 2-15 positions.

BlockMaster's OTB-388 series are perfect for interfacing internally wired products to the outside world. They offer a clear, protective cover to reduce shock hazard, and each terminal has a SEMS screw for convenient field wiring as shown. Suitable for industrial controls, spa controls or any medium-power field wiring to control box application.



**HOW TO ORDER:**



World Class Terminal Blocks

4/09/08

1400 Howard Street Phone: (847) 956-1680  
Elk Grove Village, IL 60007 Fax: (847) 956-1690

[www.BlockMaster.com](http://www.BlockMaster.com)

# Brand New! Unique Product Development!

Medium-Power Thru-Panel Terminal Block

Pitch: 27mm

600 Volts / 100 Amps

**PART#:**  
**OTB-488**

**Type:**  
High-Power Thru-Panel

**Features:**  
Thru-Panel, Barrier Construction  
Plastic, Finger-Safe Cover  
Marker Strip Included

**Applications:**  
Suitable for:  
Electrical Switch Gear  
Motor Controls  
Motor/Gen Sets  
Electric Heating  
Spa Controls  
Custom Control Panels

**Electrical**

**Rated Voltage:**  
600V

**Rated Current:**  
100A

**Wire Size:**  
3-10 AWG

**Operating Temperature:**  
-40C to +90C

**Materials**

**Housing:**  
Polycarbonate (UL94V-0)  
Standard Color: Black

**Cover:**  
Polycarbonate (UL94V-0), Clear

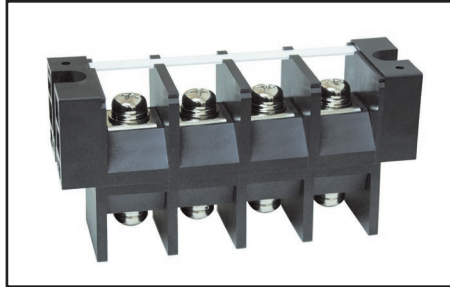
**Terminal:**  
Brass, Nickel-Plated

**Positions Available:**  
2-15

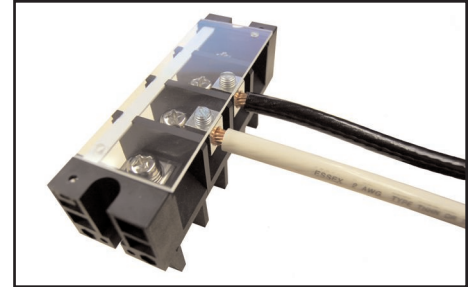
**Screw Size:**  
M6, Brass, Nickel-Plated

**Withstanding Voltage:**  
AC2500V

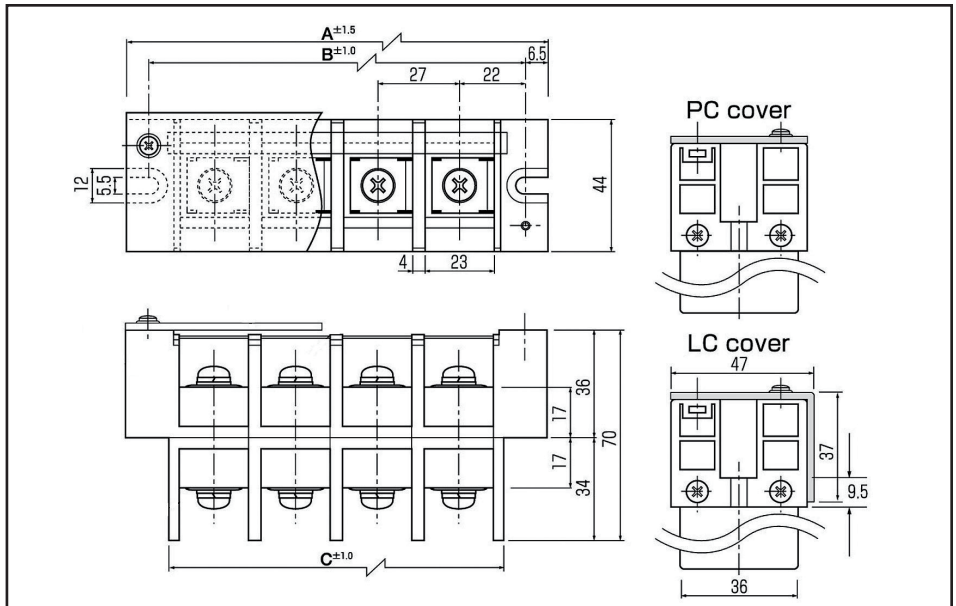
**Torque:**  
22 lbs. per inch



OTB-488 with marker strip installed



(Typical Application)

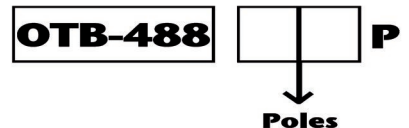


BlockMaster Electronics' new OTB-488 Series are medium-power, thru-panel terminal blocks available in 2-15 positions.

BlockMaster's OTB-488 series are perfect for interfacing internally wired products to the outside world. They offer a clear, protective cover to reduce shock hazard, and each terminal has a SEMS screw for convenient field wiring as shown. Suitable for industrial controls, spa controls or any medium-power field wiring to control box application.



**HOW TO ORDER:**



World Class Terminal Blocks

4/09/08

1400 Howard Street Phone: (847) 956-1680  
Elk Grove Village, IL 60007 Fax: (847) 956-1690

[www.BlockMaster.com](http://www.BlockMaster.com)

# Brand New! Unique Product Development!

High-Power Thru-Panel Terminal Block

Pitch: 35mm

600 Volts / 250 Amps

**PART#:**  
**OTB-588**

**Type:**  
High-Power Thru-Panel

**Features:**  
Thru-Panel Barrier Construction  
Optional Clear Plastic Cover

**Applications:**  
Suitable for:  
Electrical Switch Gear  
Off Highway Vehicles

**Electrical**  
**Rated Voltage:**  
600V

**Rated Current:**  
250A

**Wire Size:**  
4/0 Stranded CU

**Operating Temperature:**  
-40C to +90C

**Materials**  
**Housing:**  
Polycarbonate (UL94V-0)  
Standard Color: Black

**Cover:**  
Polycarbonate (UL94V-0)

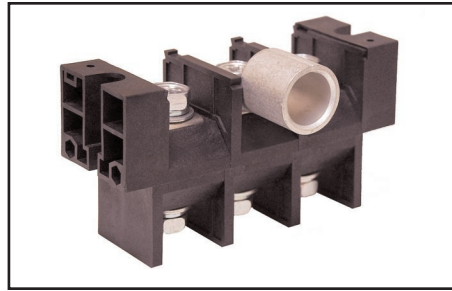
**Terminal:**  
Copper, Nickel-Plated

**Positions Available:**  
1-12

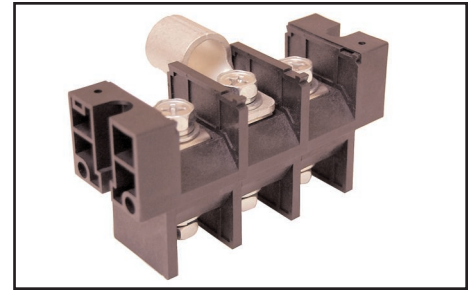
**Bolt Size:**  
M10, Steel

**Withstanding Voltage:**  
AC2500V

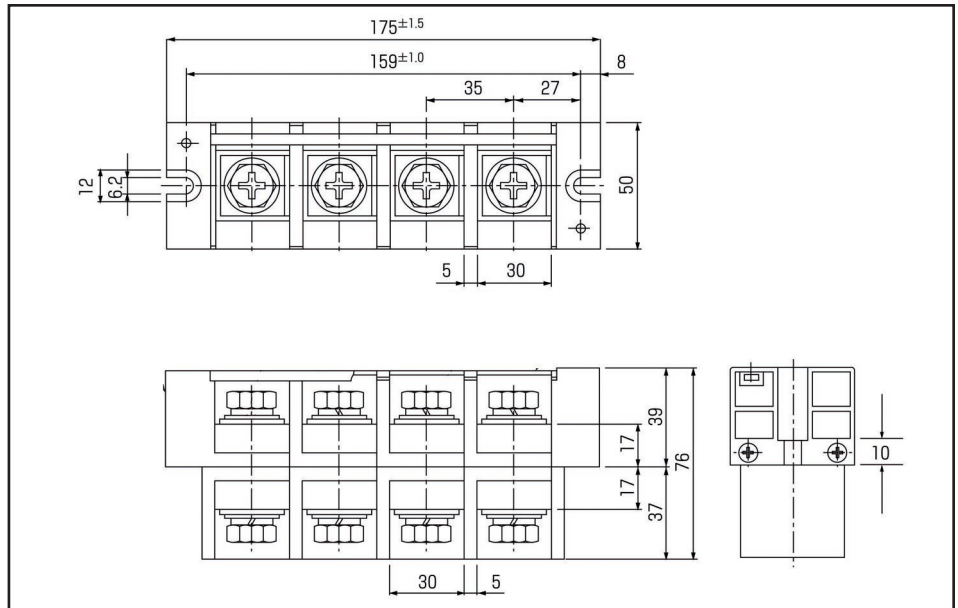
**Torque:**  
30 lbs. per inch



OTB-588



Typical Application



BlockMaster Electronics' new OTB-588 Series are high-power, thru-panel terminal blocks available in 1-12 positions.

BlockMaster's OTB-588 series are perfect for interfacing internally wired products to the outside world. They offer a clear, protective cover to reduce shock hazard, and each terminal has a hex head screw with lock washer for convenient field wiring. Suitable for industrial controls, electrical switch gear or any high-power application.



## HOW TO ORDER:

**OTB-588**



↓  
**Poles**  
**2-10**



**BLOCK MASTER BLOCKS**  
™  
World Class Terminal Blocks

4/09/08

1400 Howard Street Phone: (847) 956-1680  
Elk Grove Village, IL 60007 Fax: (847) 956-1690

[www.BlockMaster.com](http://www.BlockMaster.com)



# Brand New! Unique Product Development!

PCB Terminal Block

600 Volts / 100 Amps

**PART#:**  
**OTB-1500**

**Type:**  
PCB Terminal Block

**Features:**  
Barrier Construction  
UL Recognized  
Optional Cover Available  
With or Without Mounting Ears

**Applications:**  
Suitable for:  
Power Supplies  
Back Planes  
Motor Controls  
Industrial Controls

**Electrical**  
**Rated Voltage:**  
600V

**Rated Current:**  
100A

**Wire Size:**  
1-3 AWG

**Operating Temperature:**  
-40F to +90C

**Materials**  
**Housing:**  
Polycarbonate (UL94V-0)  
Standard Color: Black

**Cover:**  
Polycarbonate (UL94V-0)

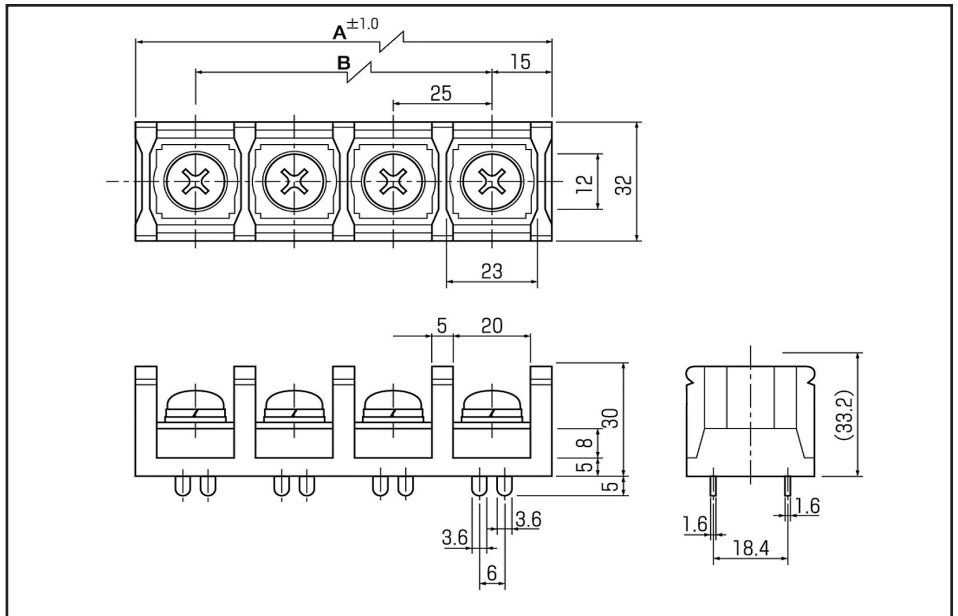
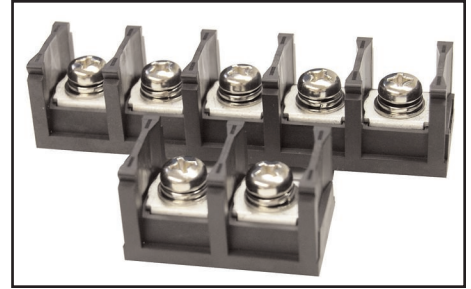
**Terminal:**  
Brass, Tin, Nickel or Gold Plated

**Screw Size:**  
M5 Steel, Nickel-Plated

**Withstanding Voltage:**  
AC2500V

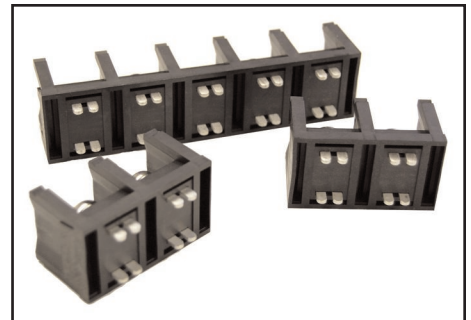
**Torque:**  
53.1 lbs. per inch

**Insulation Resistance:**  
DC500V



BlockMaster Electronics' new OTB-1500 series is a high-power PC board, barrier-style terminal block. This block allows you to terminate up to 100 AMPS per position. It has very heavy-duty PC terminals.

An optional cover is available for finger-safe applications. If your application requires the connection of large-gauge wire to PC boards, BlockMaster's OTB-1500 are the blocks for you.



## HOW TO ORDER:

**OTB-1500**



Poles  
2-8



**BLOCK MASTER BLOCKS**  
TM

World Class Terminal Blocks

1400 Howard Street Phone: (847) 956-1680  
Elk Grove Village, IL 60007 Fax: (847) 956-1690

[www.BlockMaster.com](http://www.BlockMaster.com)

4/09/08

# Brand New! Unique Product Development!

**Panel-Distribution Power Block**

**600 Volts / 80 Amps**

**PART#:**  
**OTP-80**

**Type:**  
Panel-Distribution Power Block

**Features:**  
Marker Strip  
Clear Plastic Safety Cover

**Applications:**  
Suitable for:  
Panels  
HVAC Equipment  
Pump Control Panels  
Switch Gear  
Lighting Panels

**Electrical**  
**Rated Voltage:**  
600V

**Rated Current:**  
80A  
Line Side: 80  
Load All Circuits: 80

**Wire Size:**  
Line: 4-10AWG  
Load: 6-16AWG

**Operating Temperature:**  
-40C to +90C

**Materials**  
**Housing:**  
Polycarbonate (UL94V-0)  
Standard Color: Black

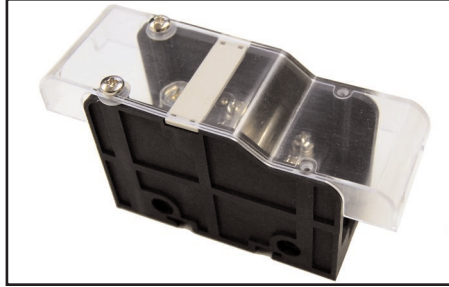
**Cover:**  
Polycarbonate (UL94V-0)

**Terminal:**  
Brass, Nickel-Plated

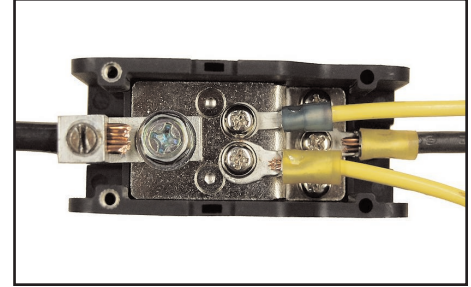
**Screw Size:**  
Line Side: M8  
Load Side: M5

**Withstanding Voltage:**  
AC2500V

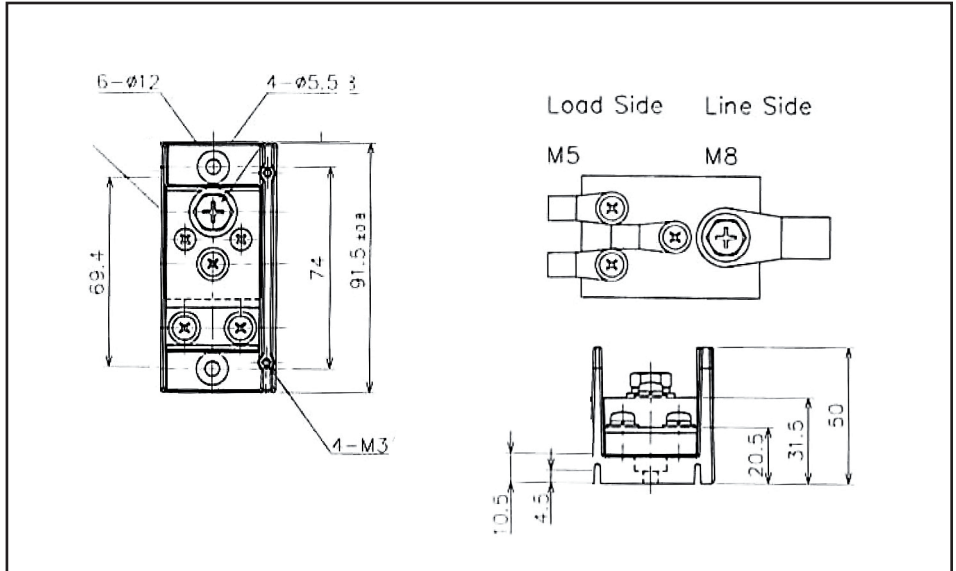
**Torque:**  
Line Side: 41.6 lbs.  
Load Side: 17.7 lbs.



OTP-80 with clear cover and marking strip installed



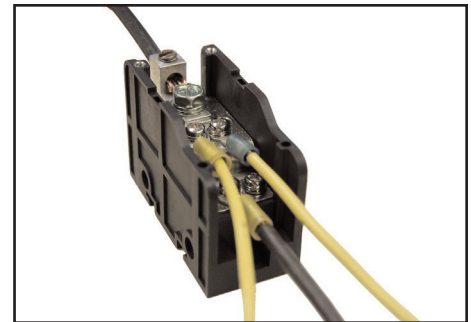
Typical Application: #6AWG Main to #12AWG & #10AWG Branch Circuits



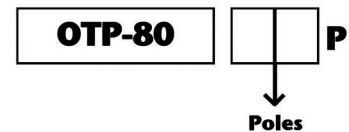
**Presenting BlockMaster Electronics' new OTP-80 series panel-distribution power blocks.**

The OTP-80 provides a convenient means of transitioning larger gauge, high-power mains to smaller gauge, lower-power branch circuits.

BlockMaster's OTP-80 series offers a convenient way to interface between your supply and larger gauge wire (#2-6 for example) and internally distribute smaller gauge wire (#12-18 for example). Perfect for panels and HVAC equipment.



**HOW TO ORDER:**



World Class Terminal Blocks

1400 Howard Street Phone: (847) 956-1680  
Elk Grove Village, IL 60007 Fax: (847) 956-1690

[www.BlockMaster.com](http://www.BlockMaster.com)

4/09/08





**Since 1994, BlockMaster Electronics has been committed to offering a variety of high-quality terminal block and barrier strip solutions. Our terminal blocks, manufactured internationally and domestically, are designed to meet and surpass agency approvals from around the world.**

**Many of our products conform to and surpass the standards of UL, CUL, VDE, CE and other international approvals. Your products will benefit from the quality that goes into our blocks. Our worldwide manufacturing allows for the continual introduction of new products, and our extensive inventory serves to keep your orders shipping on time.**



**1400 Howard Street  
Elk Grove Village, IL 60007  
(800) 595-8881  
[www.BLOCKMASTER.com](http://www.BLOCKMASTER.com)**