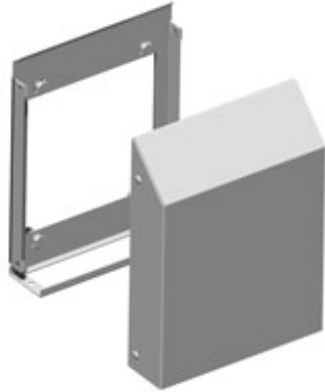


## Filterfan Rainhoods *RH Series*

### Type 3R



### Application

- Type 3R / Outdoor Rainhoods
- Protection against rain and snow or large airborne debris
- Sold individually

### Features

- Easy installation
- Covers many external mounted Fans & Grills
- Fits PF2000/PF22000 thru PF5/6/7000 series Filterfans
- Tamperproof hardware and sealing gasket provided

### Standards

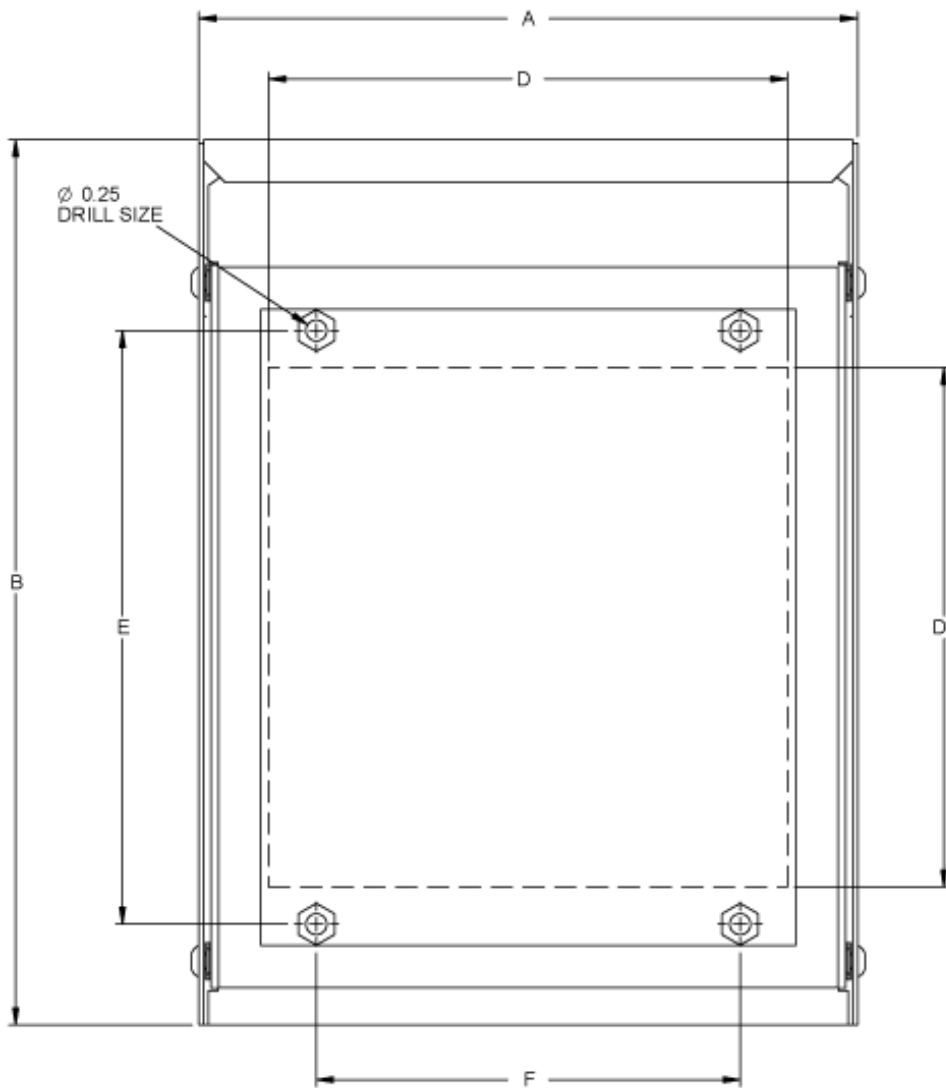
- UL 508A type 3R
- CSA C22.2 #94-M1

### Finish

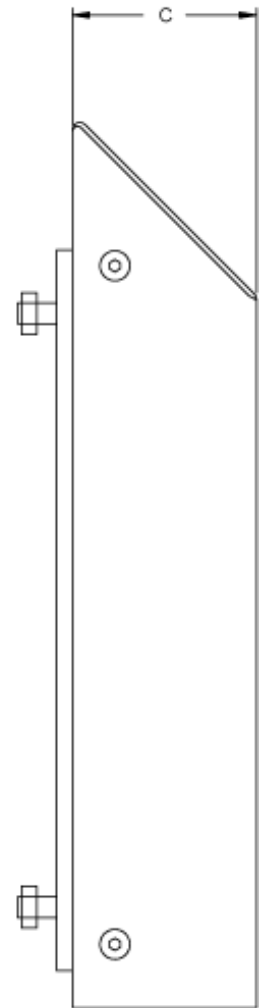
- Cover offered in ANSI61 gray or RAL7035 light gray powder coated finish on mild steel
- Also offered in stainless steel 304 #4 finish
- Base in Galvanized sheet steel

### Grill/Solid Cover Kit

- Can be installed in bottom opening of rain hood
- Grill allows ventilation while preventing unwanted entry of large contaminants
- Solid cover allows sealing of opening when fan/filter not in use



**INSIDE VIEW**



**SIDE VIEW**

Part No.	Overall Dimensions			Cut-out	Bolt Pattern		Use with	Finish
	A	B	C		D	E		
<b>RH2000GY</b>	7.77	10.44	2.17	6.12	7.00	5.00	PF2000/PF22000 Series	ANSI 61 Gray
<b>RH2000LG</b>	7.77	10.44	2.17	6.12	7.00	5.00	PF2000/PF22000 Series	RAL7035
<b>RH2000SS</b>	7.77	10.44	2.17	6.12	7.00	5.00	PF2000/PF22000 Series	Stainless Steel
<b>RH4000GY</b>	11.71	14.57	3.35	10.12	11.00	9.00	PF25, 30, 32, 43000 Series	ANSI 61 Gray
<b>RH4000LG</b>	11.71	14.57	3.35	10.12	11.00	9.00	PF25, 30, 32, 43000 Series	RAL7035
<b>RH4000SS</b>	11.71	14.57	3.35	10.12	11.00	9.00	PF25, 30, 32, 43000 Series	Stainless Steel
<b>RH6000GY</b>	14.66	15.88	4.33	13.00	13.88	12.00	PF5,6,7000, 65, 67000 Series	ANSI 61 Gray
<b>RH6000LG</b>	14.66	15.88	4.33	13.00	13.88	12.00	PF5,6,7000, 65, 67000 Series	RAL7035
<b>RH6000SS</b>	14.66	15.88	4.33	13.00	13.88	12.00	PF5,6,7000, 65, 67000 Series	Stainless Steel

### Grill/Solid Cover Kit

Part No.	Use With	Finish
<b>RHA2000G</b>	RH2000GY, LG, SS	Galvanized Steel
<b>RHA4000G</b>	RH4000GY, LG, SS	Galvanized Steel
<b>RHA6000G</b>	RH6000GY, LG, SS	Galvanized Steel

*Data subject to change without notice*

