



### Features:

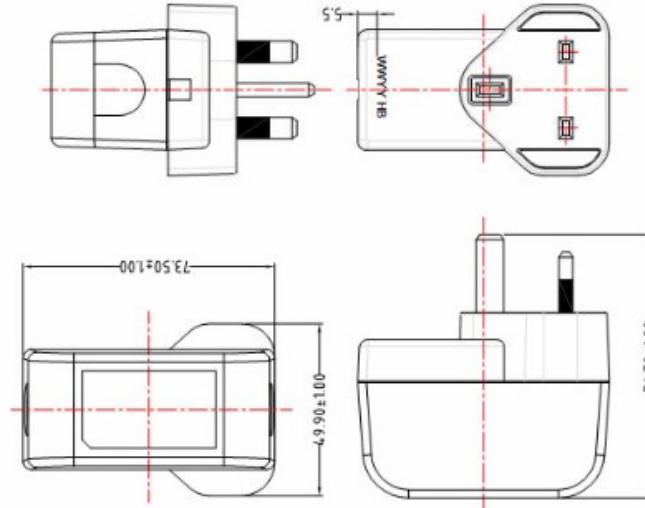
- Fixed UK wall plug
- Level VI
- 1 Year warranty
- 6-18 Watt



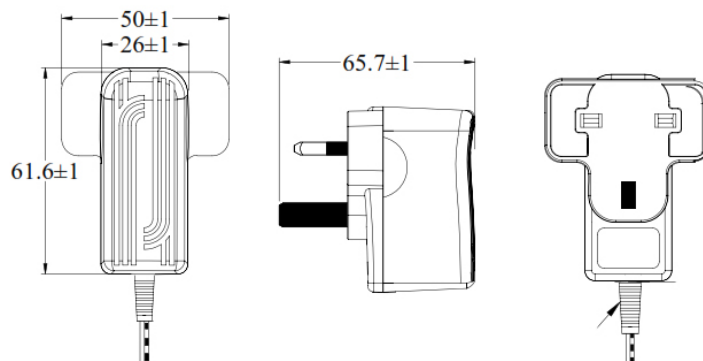
Output Range			
Model Number	T62365T	T63525T	T63535T
AC Input Voltage	90 - 264Vac	100 - 240Vac	90 - 264Vac
AC Input Frequency	47-63Hz	47-63Hz	47-63Hz
AC Input Current	0.6A Max	0.2A Max	0.6A Max
DC Output Voltage	+9V	+9V	+9V
Minimum Load Current	0A	0A	0A
Maximum Load Current	2A	0.66A	2A
Line Regulation	+/-2%	+/-2%	+/-2%
Ripple And Noise	200 mVp-p	300 mV Max	200 mV Max
Average Efficiency	85.45% Minimum	78.81%	85.45%
Hold Up Time	5ms min at nominal input voltage	10ms Min	5ms Min
Over Current Protection	4A maximum with auto-recovery function	Overload conditions shall decrease the output voltage. Removal of an output overload shall provide automatic recovery for the output voltage	4A maximum with auto-recovery function
Over Voltage Protection	18VDC max	N/A	18VDC
Short Circuit Protection	The adapter shall not be damaged by short the DC output to Ground	Auto Recovery	The adapter shall not be damaged by short the DC output to Ground
Size	74.5 (L) * 50.9 (W) * 77.7(H) mm maximum	65.7 (L) * 50.1(W) * 61.6(H) mm maximum	74.5 (L) * 50.9 (W) * 77.7(H) mm maximum
Weight	140g	120g	140g
Plug Type	UK-PIN	UK-PIN	UK-PIN
Output Cord	WIRE: 18AWG/ 2C 2468, 1500mm PLUG: JACK PIUG 5.5*2.1*12mm	WIRE: 24AWG 1500mm PLUG: JACK PIUG 2.1	WIRE: 18AWG/ 2C 2468, 2500mm PLUG: JACK PIUG 5.5*2.1*12mm
Operating Temperature	0 °C TO 40 °C	0°C TO 40°C	0°C TO 40°C
Storage Temperature	-20 °C TO +60 °C	-20 °C TO +70 °C	-20 °C TO +60 °C
Operating Humidity	20 ~ 85 % RH. NON-CONDENSING	10 ~ 95 % RH. NON-CONDENSING	20 ~ 85 % RH. NON-CONDENSING
Storage Humidity	5 ~ 95 % RH. NON-CONDENSING	10 ~ 95 % RH. NON-CONDENSING	5 ~ 95 % RH. NON-CONDENSING
Safety Standard	Designed to meet T-LICENSE(BS EN60950-1)	BS EN60950-1:2006+A2	Designed to meet T-LICENSE(BS EN60950-1)
EMI Standard	Designed to meet CE(EN55022)	EN55022:2010/AC:2011 EN61000-3-2:2014 EN61000-3-3:2013 EN55024:2010 IEC61000-4-2:2008 EC61000-4-3:2006/A1:2007/A2:2010 IEC61000-4-4:2012 IEC61000-4-5:2014 IEC61000-4-6:2013 IEC61000-4-8:2009 IEC61000-4-11:2004	Designed to meet CE(EN55022)
MTBF	50K Hours	50k Hours	50K Hours



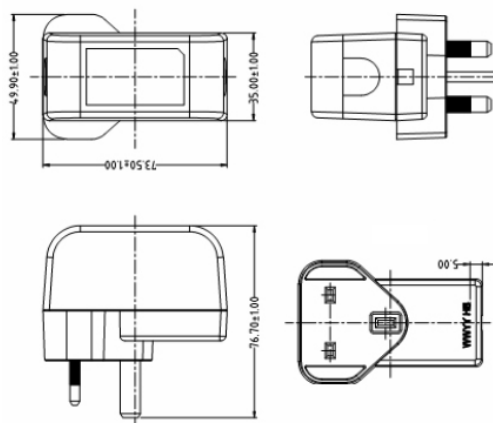
### T6236ST Mech Drawing



### T6352ST Mech Drawing



### T6353ST Mech Drawing



## Stadium Stontronics Ltd

Chancerygate Business Centre, Cradock Road, Reading, Berkshire, RG2 0AH.

Tel: +44 (0) 118 931 1199 • Fax: +44 (0) 118 931 1145 • Email: [Sales@stontronics.co.uk](mailto:Sales@stontronics.co.uk) • Web: [www.stontronics.com](http://www.stontronics.com)

Please Note: Image shown is representative of entire range. Individual PSU image &/or drawings or data sheets available on request.

Stontronics Ltd accepts no responsibility for typographical errors in the production of this leaflet. Product specifications are subject to change without notice.

