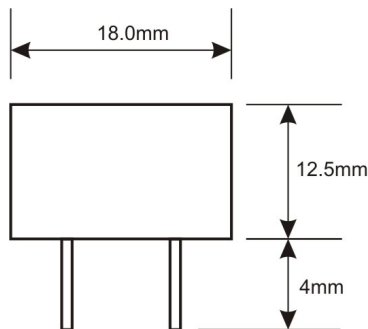


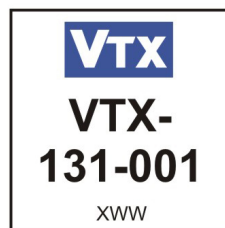


Features:

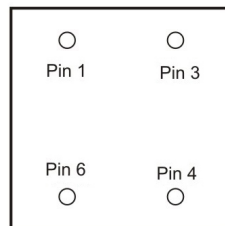
- Low Profile PCB Line Isolation Transformer
- Impedance Line Matching 600:600 Ω
- Dielectric Strength: 4kVrms. (6.5KVdc 1sec)
- RoHS Compliant
- UL94-V0 Rated Materials.
- Compliant To EN41003; IEC60950



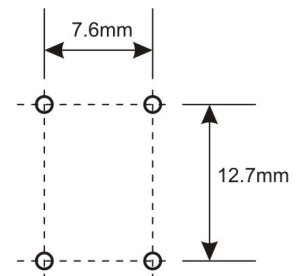
Dimensions:
 Height : 12.5mm
 Width : 18.0mm
 Length : 18.0mm
 Weight : 0.015kg



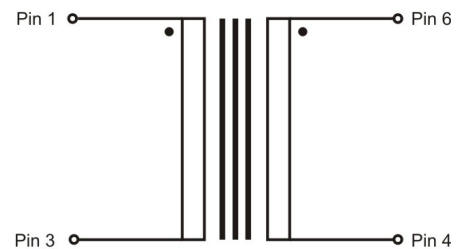
X: Year Code
WW: Week of Manufacture



Pin View (Bottom)



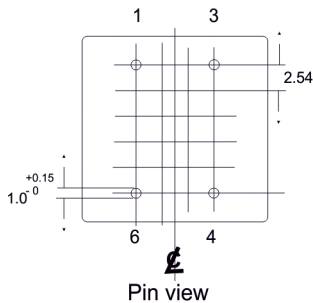
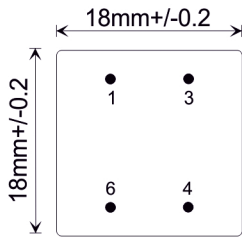
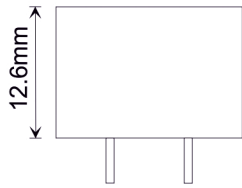
PCB Layout, Hole Dia. 1.0mm



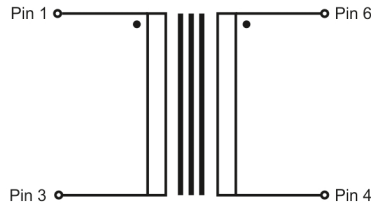
Electrical Schematic VTX-131-001

Part No	VTX-131-001		Unit
Suitable for modem speed up to:	V.34		----
Reflects 600 ohms at PRI with R load =	600		ohms
D.C. Resistance, +/-15%,PRI	68		ohms
D.C. Resistance,+/-15%,SEC	68		ohms
Frequency Response,200 to 4000 Hz	+/-0.2		dB
Insertion Loss at 2kHz,(ref 600Ω Load),max.	1.5 Max		dB
Return Loss vs.600 ohms at 200~4kHz	-20 Min		dB
Dielectric Test PRI-SEC (50Hz)	4000		V rms
Direct Current PRI, maximum	none		mA DC
Turns Ratio (PRI:SEC),+/-2%	1:1		----
Longitudinal Balance, 200 to 4000 Hz,min.	90		dB
Total Harmonic Dist.,600 Hz,	-80 Min		dBm
Saturation	10Vrms (65V Peak)		V rms
Operating temperature range:	-20°C to + 70°C		°C
Storage temperature range:	-40°C to +125°C		°C

Products can be altered to suite custom requirements. Please contact Vigortronix for your specific requirements.
 The information contained in this document is subject to change without notice.



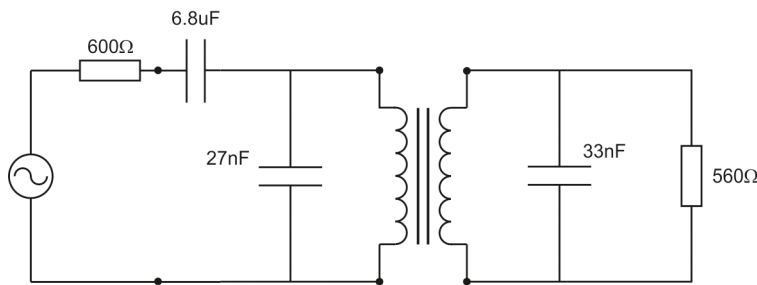
Tolerance on all hole positions +/-0.2mm
 Pin diameter = 0.6mm
 PCB Hole = 1.0mm



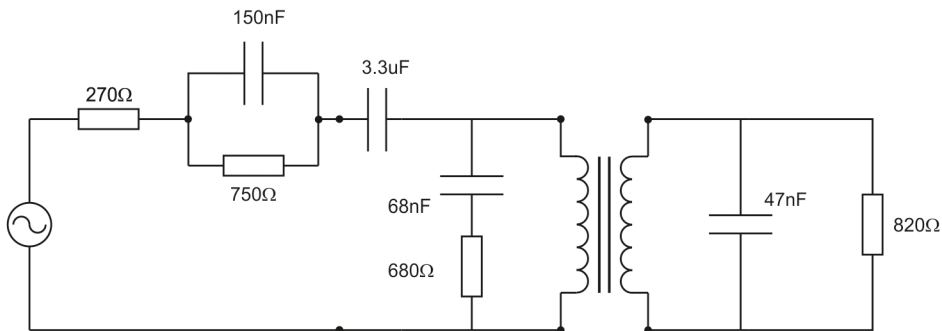
Electrical Schematic VTX-131-001



Label
 XWW = date code



CLASS B 600 OHM MATCH



PAN-EUROPEAN CTR21 MATCH