

PLEASE CHECK WWW.MOLEX.COM FOR LATEST PART INFORMATION

Part Number: [0467083412](#)
Status: **Active**
Overview: EXTreme Ten60Power™ High-Current Connector
Description: EXTreme Ten60Power™ Terminal Position Assurance (TPA) Retainer, for Assembly with 12 Signal / 4 Power Circuits

Documents:

[Packaging Specification PK-46708-0002 \(PDF\)](#) [Product Literature \(PDF\)](#)
[RoHS Certificate of Compliance \(PDF\)](#)

General

Product Family	Accessories
Series	46708
Component Type	Terminal Position Assurance
Overview	<u>EXTreme Ten60Power™ High-Current Connector</u>
Product Literature Order No	987650-1981
Product Name	EXTreme Ten60Power™, TPA - Term Pos Assurance
UPC	889056278942

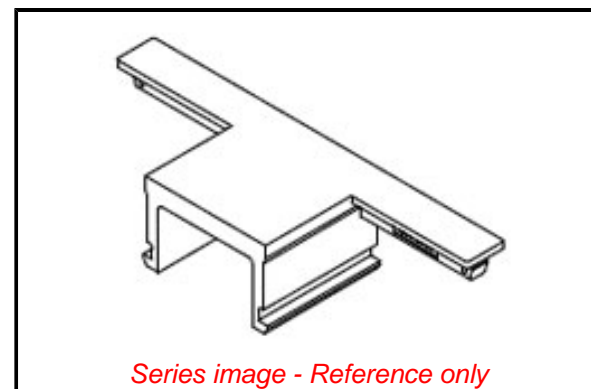
Physical

Circuits (Loaded)	16
Color - Resin	Black
Lock to Mating Part	Yes
Material - Resin	PBT
Net Weight	1.250/g
Packaging Type	Bag
Temperature Range - Operating	-40°C to +105°C

Material Info

Reference - Drawing Numbers

Packaging Specification	PK-46708-0002
-------------------------	---------------



EU ELV

Not Relevant

EU RoHS

Compliant

REACH SVHC

Not Contained Per
-ED/01/2017 (12
January 2017)

Halogen-Free

Status

Not Low-Halogen

Need more information on product environmental compliance?

Email productcompliance@molex.com
Please visit the [Contact Us](#) section for any non-product compliance questions.

China ROHS

ELV

RoHS Phthalates

China RoHS

Green Image

Not Relevant

Not Contained

Search Parts in this Series

[46708 Series](#)

Use With

EXTreme Ten60Power™ Receptacle
Housing [172510](#) , [172512](#)