



## Main

Range of product	Zelio Relay
Product or component type	Solid state relay
Device short name	SSLM
Network number of phases	1 phase

## Complementary

Mounting support	Symmetrical DIN rail
[In] rated current	0.1 A
Output voltage	4...28 V DC
Control circuit voltage	4...28 V DC
Contacts type and configuration	1 NC
Tightening torque	0.6...0.8 N.m
Connections - terminals	Screw terminals : 1 x 0.2...1 x 5.26 mm <sup>2</sup> (AWG 24...AWG 10)
Switching voltage	4 V DC turn-on
Load current	0.1 A
Voltage drop	0.5 V on-state
Response time	30 µs turn-on 60 µs turn-off
Overvoltage category	III
Width	7.5 mm
Height	80 mm
Depth	63 mm
Product weight	0.03 kg

## Environment

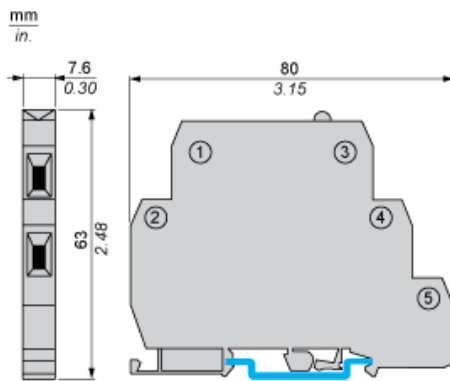
Dielectric strength	4000 V for input/output
Pollution degree	2

Standards	EN 60947-4-3 UL 508 CSA C22.2 No 14
Product certifications	CSA UL EAC
Marking	UL EAC CSA CE
IP degree of protection	IP20
Ambient air temperature for operation	0...70 °C

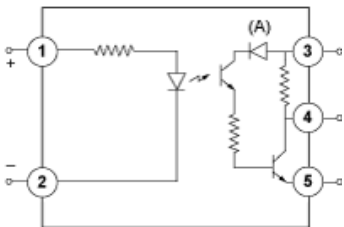
### Offer Sustainability

Sustainable offer status	Green Premium product
RoHS (date code: YYWW)	Compliant - since 1522 - Schneider Electric declaration of conformity <a href="#">Schneider Electric declaration of conformity</a>
REACH	Reference not containing SVHC above the threshold <a href="#">Reference not containing SVHC above the threshold</a>
Product environmental profile	Available <a href="#">Product environmental</a>
Product end of life instructions	Available <a href="#">End of life manual</a>

Dimensions



Wiring Diagram



- 1,2 : Field VDC
- 3 : Vcc
- 4 : Logic
- 5 : Ground
- (A) LED