



Main

Range of product	Zelio Relay
Product or component type	Solid state relay
Device short name	SSLM
Network number of phases	1 phase

Complementary

Mounting support	Symmetrical DIN rail
[In] rated current	0.1 A
Output voltage	4...28 V DC
Control circuit voltage	90...280 V AC
Contacts type and configuration	1 NC
Tightening torque	0.6...0.8 N.m
Connections - terminals	Screw terminals : 1 x 0.2...1 x 5.26 mm ² (AWG 24...AWG 10)
Switching voltage	90 V AC turn-on
Load current	0.1 A
Voltage drop	0.5 V on-state
Response time	20 ms turn-on 20 ms turn-off
Overvoltage category	III
Width	7.5 mm
Height	80 mm
Depth	63 mm
Product weight	0.03 kg

Environment

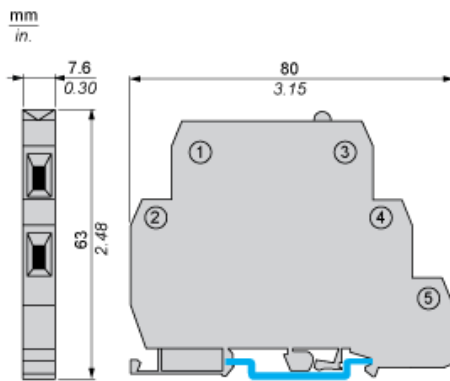
Dielectric strength	4000 V for input/output
Pollution degree	2

Standards	EN 60947-4-3 CSA C22.2 No 14 UL 508
Product certifications	EAC CSA UL
Marking	EAC UL CE CSA
IP degree of protection	IP20
Ambient air temperature for operation	0...70 °C

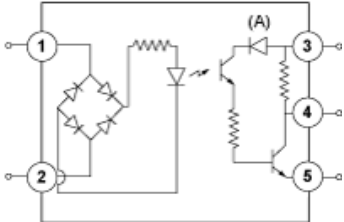
Offer Sustainability

Sustainable offer status	Green Premium product
RoHS (date code: YYWW)	Compliant - since 1522 - Schneider Electric declaration of conformity Schneider Electric declaration of conformity
REACH	Reference not containing SVHC above the threshold Reference not containing SVHC above the threshold
Product environmental profile	Available Product environmental
Product end of life instructions	Available End of life manual

Dimensions



Wiring Diagram



- 1,2 : Field VAC
- 3 : Vcc
- 4 : Logic
- 5 : Ground
- (A) LED