

5.0×3.2mm for Mobile Communications/ Automotive



RoHS Compliant

Features

- Reference frequency for telecommunication systems
- Reflow compatible
- Using ceramic package resulting in high reliability
- AEC-Q200 qualified (Please contact us for Automotive use)

Applications

- Mobile Communications, Bluetooth®, Wireless LAN
- Car Electronics

* Bluetooth® Trademarks are owned by Bluetooth SIG Inc.

How to Order

CX5032SB 26000

① ② ③ ④ ⑤ ⑥ ⑦

① Series	② Frequency
③ Load Capacitance	④ Frequency Tolerance
HO 12 pF	F ±10×10 ⁻⁶
⑤ Operating Temp. Range	⑥ Frequency Temp. Stability
LJ -30 to +85°C	±15×10 ⁻⁶
SS -40 to +125°C	±50×10 ⁻⁶
⑦ Individual Specification	

Packaging (Tape & Reel 1000/ 5000 pcs./ reel)

Specifications

Item	Symbol	Specification		Units	Remarks
Frequency Range	f _{nom}	9800 to 50000	50 to 80 (MHz)	kHz	
Overtone Order	OT	Fundamental	3rd. Overtone	—	
Load Capacitance	CL	12		pF	Please contact us for other Load Capacitance.
Frequency Tolerance	f _{tol}	±10		×10 ⁻⁶	25°C±3°C
Motional Series Resistance	R1	Table 1		ohm	
Drive Level	DL	Table 2		μW	
Operating Temp. Range	T _{use}	-30 to +85	-40 to +125	°C	
Storage Temp. Range	T _{stg}	-40 to +85	-40 to +125	°C	
Frequency Temp. Characteristics	f _{tem}	±15	±50	×10 ⁻⁶	Freq. deviation from the value at 25°C

Please contact us for other specifications.

Table1 Motional Series Resistance

Frequency Range	Motional Series Resistance
9800≤f _{nom} <10000kHz	150Ω max.
10000≤f _{nom} <12000kHz	80Ω max.
12000≤f _{nom} <26000kHz	50Ω max.
26000≤f _{nom} ≤50000kHz	40Ω max.
*50≤f _{nom} ≤80 (MHz)	80Ω max.

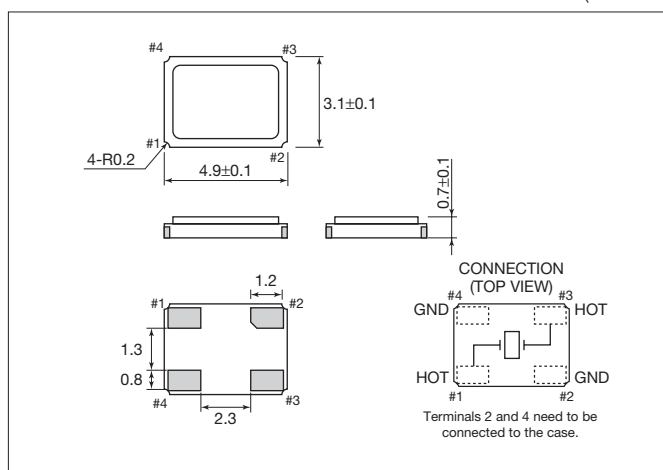
* 3rd Overtone

Table2 Level of Drive

Frequency Range	Level of Drive
9800≤f _{nom} ≤50000kHz	10μW (100μW max.)
50≤f _{nom} ≤80 (MHz)	

Dimensions

(Unit: mm)



Recommended Land Pattern

(Unit: mm)

