

1 or 2 Pole electromechanical step relay, for electrically common coil and contact circuits

27.0x - Connect up to 24 illuminated push buttons with the addition of module 027.00

27.2x - Connect up to 15 illuminated push buttons (without additional module) - incorporates coil power limiter to permit continuous coil energisation

- Choice of 3 switching sequences
- Screw terminal connections
- AC coil
- Panel mount
- Cadmium free contact material
- Italian Patent

27.0x / 2x
Screw terminal



For outline drawing see page 3

Contact specification

		27.0x		27.2x EVO
Number of contacts		1 or 2		1 or 2
Rated current/Maximum peak current	A	10/20		10/20
Rated voltage/ Maximum switching voltage	V AC	110/—	230/—	230/—
Rated load AC1	VA	1100	2300	2300
Rated load AC15	VA	250	500	500
Nominal lamp rating:				
	230 V incandescent/halogen W	—	1000	1000
	fluorescent tubes with electronic ballast W	200	400	400
	fluorescent tubes with electromechanical ballast W	180	360	360
	CFL W	100	200	200
	230 V LED W	—	200	200
	LV halogen or LED with electronic ballast W	100	200	200
	LV halogen or LED with electromechanical ballast W	200	400	400
Minimum switching current	mW (V/mA)	10		10
Standard contact material		AgNi		AgNi
Coil specification				
Nominal voltage (U _N)	V AC (50/60 Hz)	110	230	230
	V DC	—		—
Pickup/continuous power	VA (50 Hz)	4/4		25/1
Operating range	AC 50 Hz/AC 60 Hz	(0.8...1.1)U _N / (0.85...1.1)U _N		(0.8...1.1)U _N / (0.85...1.1)U _N
	DC	—		—
Technical data				
Mechanical life AC/DC	cycles	300 · 10 ³		300 · 10 ³
Electrical life at rated load in AC1	cycles	100 · 10 ³		100 · 10 ³
Max no. of illuminated push-button	(≤ 1 mA)	4 (24 with module 027.00)		15
Minimum/Maximum impulse duration		0.1 s/1 h (according to EN 60669)		0.1 s/continuous
Ambient temperature range	°C	-40...+40		-40...+40
Protection category		IP 20		IP 20
Approvals (according to type)				

IV-2015, www.findernet.com

K

Ordering information

Example: 27 series screw terminal, panel mount step relay, single phase switch 1 NO (SPST-NO) 10 A contact, coil rated 230 V AC.

2 7 . 0 . 1 . 8 . 2 3 0 . 0 . 0 . 0 . 0

- Series** ————
- Type** ————
0 = Clamp terminal
2 = Clamp terminal, with coil power limiter
- No. of poles** ————
1 = Single phase switch 1 NO (SPST-NO)
5 = 4 sequences double phase switch 2 NO (DPST-NO)
6 = 3 sequences double phase switch 2 NO (DPST-NO)
- Coil voltage** ————
See coil specifications
- Coil version** ————
8 = AC (50/60 Hz)

Technical data

Other data		27.01, 27.21		27.05, 27.06, 27.25, 27.26	
Power lost to the environment with rated current and coil de-energised	W	0.9		1.8	
Screw torque	Nm	0.8		0.8	
Max. wire size		solid cable	stranded cable	solid cable	stranded cable
	mm ²	2 x 2.5	1 x 4 / 2 x 2.5	2 x 2.5	1 x 4 / 2 x 2.5
	AWG	2 x 14	1 x 12 / 2 x 14	2 x 14	1 x 12 / 2 x 14

Coil specifications

Types 27.01, 27.05, 27.06

Nominal voltage U _N	Coil code	Operating range (50 Hz)		Resistance R	Consumption I at U _N (50 Hz) mA
		U _{min}	U _{max}		
V		V	V	Ω	mA
110	8.110	88	121	1400	42.0
230	8.230	184	253	6500	17.5

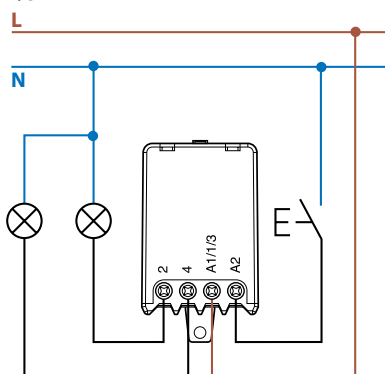
Types 27.21, 27.25, 27.26

Nominal voltage U _N	Coil code	Operating range (50 Hz)		Resistance R	Consumption	
		U _{min}	U _{max}		pick up I at U _N (50 Hz) mA	continuous I at U _N (50 Hz) mA
V		V	V	Ω	mA	mA
230	8.230	184	253	1250	100	4

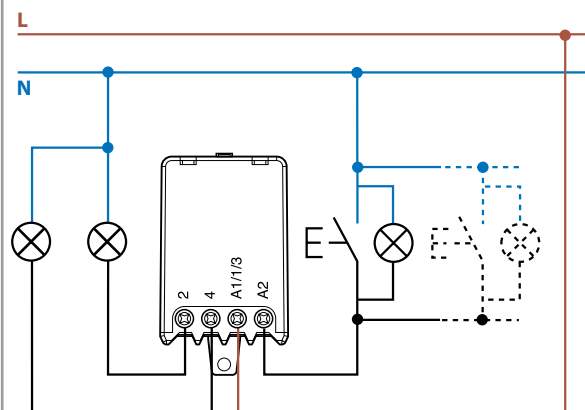
Type	Number of steps	Sequence			
		1	2	3	4
27.01/21	2				
27.05/25	4				
27.06/26	3				

Wiring diagram

Type 27.01/05/06

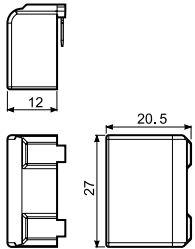


Type 27.21/25/26



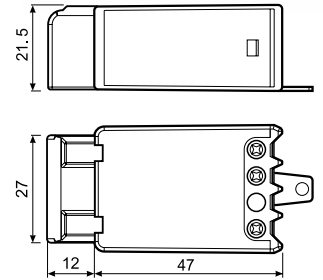
Accessories for types 27.01, 27.05, 27.06

Module for illuminated push-button (230 V AC applications)



Type 027.00

This module is necessary if using up to a maximum of 24 illuminated push-buttons (1 mA max, 230 V AC) in the switching input circuit. It must be plugged directly into the relay.



Type 27.0x + 027.00

Outline drawings

27.0x / 2x
Screw terminal

