



Main

Range of product	Modicon M171/M172
Product or component type	Programmable controllers
Product specific application	HVAC and pumping solution
Variant	Programmable
Number of inputs/outputs	3
Analogue input number	1 analog input NTC (on board) 1 analog input NTC

Complementary

Number of port	1 CAN port - screw terminal block 1 Ethernet - RJ45 (Modbus TCP and BACnet IP with webserver) 1 RS485 - screw terminal block (Modbus serial link or BACnet MS/TP) 1
Input/Output number	3 analog input(s)
Analogue input type	Voltage 0...5 V (ratiometric) Temperature probe, NTC - 50...110 °C - resolution: 0.1 °C (extended) Temperature probe, NTC - 40...150 °C - resolution: 0.1 °C Current 4...20 mA Voltage 0...10 V
[Us] rated supply voltage	24 V AC/DC (+/- 20%) 48 V DC (+/- 20%)
Power consumption in W	5 W at 24...48 V AC/DC
Realtime clock	Built-in realtime clock at -10...55 °C
Display type	LCD display - 128 x 64 pixels
Overvoltage category	II
Local signalling	1 LED red programmable 1 LED yellow programmable 1 LED green programmable
Mounting support	Flush mounting
Width	160 mm
Height	96 mm

Depth	10 mm
Product weight	0.32 kg

Environment

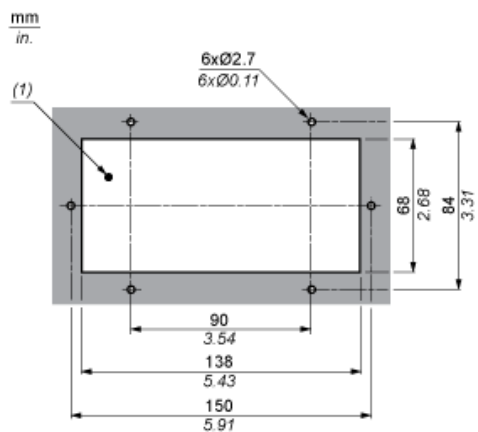
Directives	2006/95/EC - low voltage directive 86/188/EEC - physical agents (noise) directive 2011/65/EU - RoHS directive 1907/2006/EC - REACH directive
Standards	EN/IEC 60730
Product certifications	CURus CSA CE EAC
Ambient air temperature for operation	-10...55 °C conforming to UL 60730-1
Ambient air temperature for storage	-20...85 °C
Relative humidity	10...90 % non-condensing
IP degree of protection	IP20
Pollution degree	2

Offer Sustainability

Sustainable offer status	Not Green Premium product
RoHS (date code: YYWW)	Compliant - since 1429 - Schneider Electric declaration of conformity Schneider Electric declaration of conformity
REACH	Reference not containing SVHC above the threshold Reference not containing SVHC above the threshold

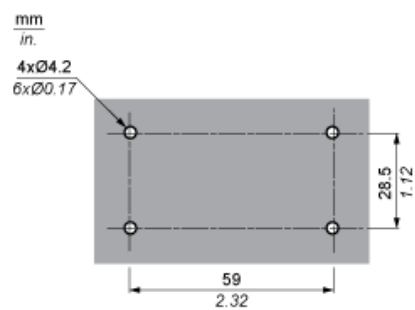
Mounting and Clearance

Panel Mounting

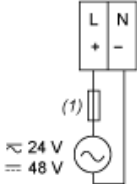


(1) Panel cut out

Wall Mounting

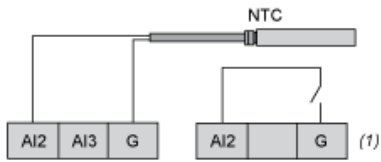


Power Supply



(1) Type T 630 mA fuse

Analog Inputs



(1) Digital input