



Main

Range of product	Modicon M171
Product or component type	Display module
Display colour	Monochrome
Supply	External source

Complementary

Display type	Backlit LCD screen
Number of key	4
[Us] rated supply voltage	12 V DC
Power consumption	5 W
Marking	CE
Realtime clock	With realtime clock
Local signalling	LCD display
Product compatibility	Logic controller M171 optimized
Height	137 mm
Width	96.5 mm
Depth	31.3 mm
Product weight	0.143 kg

Environment

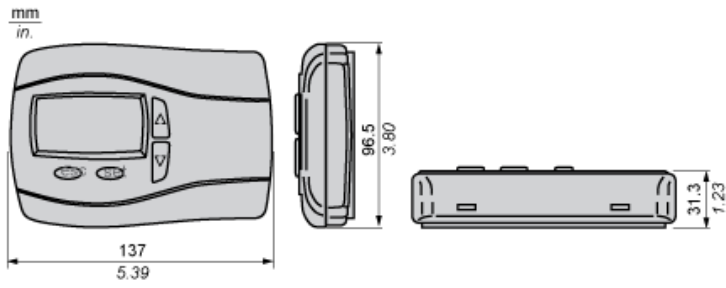
Standards	RoHS compliant
Product certifications	CURus REACH
IP degree of protection	IP40 on front face

Offer Sustainability

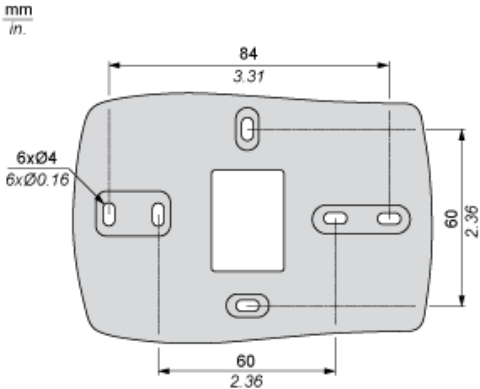
Sustainable offer status	Not Green Premium product
--------------------------	---------------------------

RoHS (date code: YYWW)	Compliant - since 1427 - Schneider Electric declaration of conformity Schneider Electric declaration of conformity
REACH	Reference contains SVHC above the threshold - Go to CaP for more details Go to CaP for more details

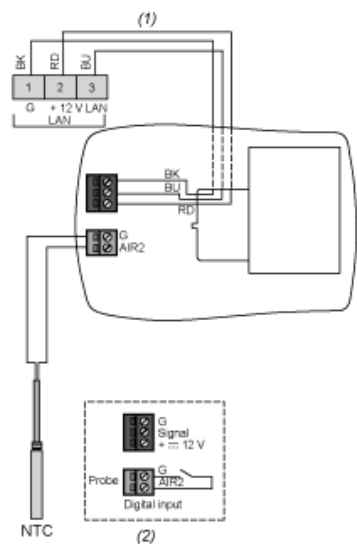
Dimensions



Mounting

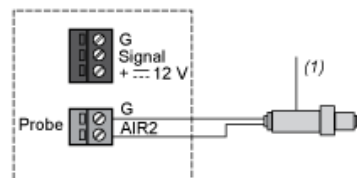


Wiring Diagram



- (1) LAN Expansion bus
- (2) Remote probe not included
- RD : Red
- BU : Blue
- BK : Black

Ex. Transducer



- (1) Power supply