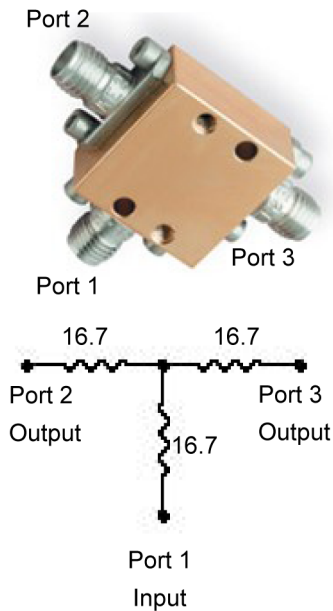


6 dB power divider, 25 GHz

PSPL5333 Datasheet



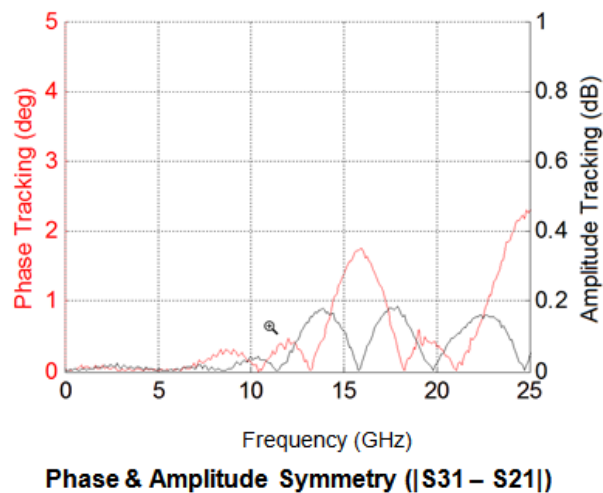
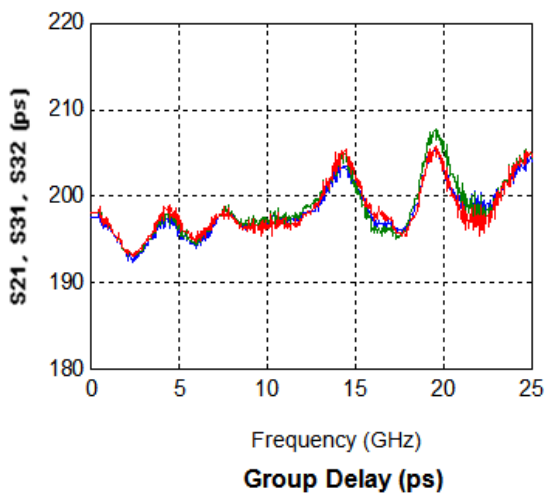
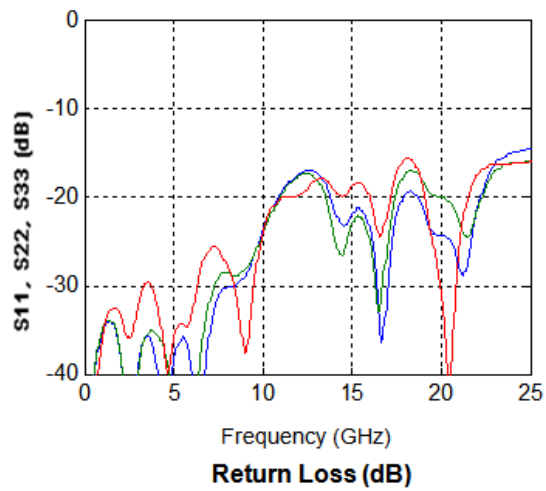
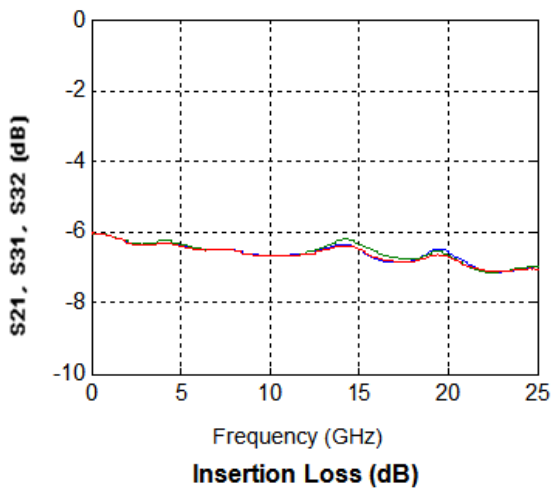
The PSPL5333 Power Divider is an ultra-broadband resistive coupler, which provides even division of an input signal at the output ports. The device exhibits excellent through-line insertion loss stability for frequencies from DC to >25 GHz. The PSPL5333 features good impedance match across a wide range of frequencies, with return loss typically >15 dB from 0-25 GHz. Resistors are accurate within $\pm 2\%$, providing excellent input matching.

Key performance specifications

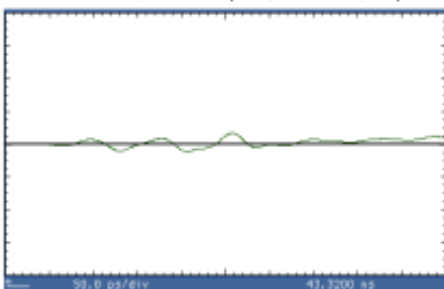
- DC to >25 GHz
- Excellent Return Loss
- Superb Insertion Loss Stability
- Accurate Amplitude and Phase Tracking

Typical performance

Frequency responses from 40 MHz to 25 GHz, linear sweep at 5 GHz/div.

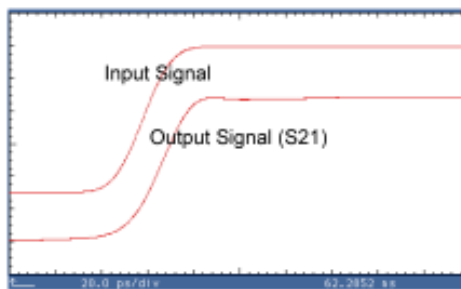


S11 Input TDR Response to 25 ps
Rise time Pulse, Scale 5% p/div, Timebase, 50 ps/div



Transmission Response to 25 ps Rise time step into Port 1.

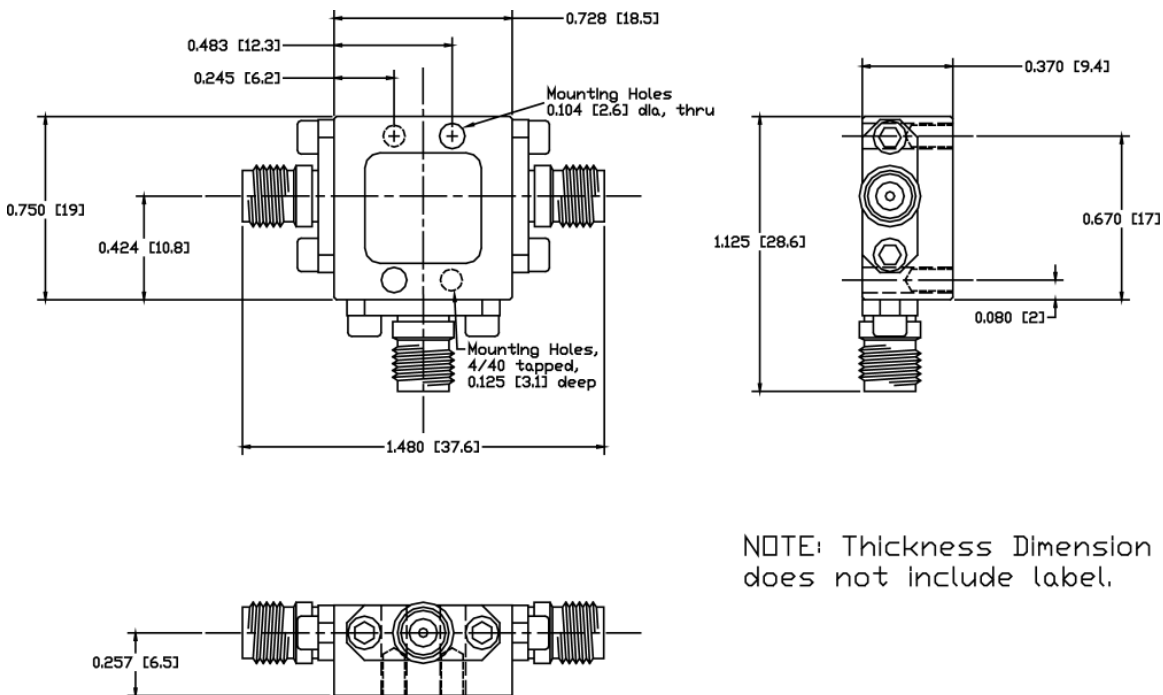
Timebase 20 ps/div, Output Signal Scaled 2x



Specifications

Parameter ¹	Value
Insertion Loss	6 dB, nominal DC 6.5 ±1 dB, 0-25 GHz, guaranteed
Rise time (10% - 90%)	≤15 ps
Return Loss	>15 dB, 0-18 GHz, guaranteed ≥10 dB, 18-25 GHz, guaranteed
Input Impedance @ DC (port 1, 2 or 3)	50 ±1 Ω, guaranteed
Insertion Loss Asymmetry (S31- S21)	≤0.5 dB, 0-25 GHz, guaranteed
Phase Tracking (S31-S21)	≤5 deg, 0-25 GHz, guaranteed
Group Delay	198 (-8,+12) ps, 0-25 GHz, typical
Temperature Range	0-90 °C @ 1.5 W (case), linearly derated to 0 W @ 110 °C
Maximum Input Power (Avg)	1.5 W, CW
Connectors	SMA jacks (f)
Warranty	One Year

Mechanical dimensions



NOTE: Thickness Dimension does not include label.

¹ All parameters listed are typical unless maximum/minimum guaranteed limits are provided. Measurements made with 50 Ω matched line/load at output ports.

Ordering information

Models

PSPL5333

Power Divider 6 dB

ASEAN / Australasia (65) 6356 3900
Belgium 00800 2255 4835*
Central East Europe and the Baltics +41 52 675 3777
Finland +41 52 675 3777
Hong Kong 400 820 5835
Japan 81 (3) 6714 3010
Middle East, Asia, and North Africa +41 52 675 3777
People's Republic of China 400 820 5835
Republic of Korea 001 800 8255 2835
Spain 00800 2255 4835*
Taiwan 886 (2) 2722 9622

Austria 00800 2255 4835*
Brazil +55 (11) 3759 7627
Central Europe & Greece +41 52 675 3777
France 00800 2255 4835*
India 000 800 650 1835
Luxembourg +41 52 675 3777
The Netherlands 00800 2255 4835*
Poland +41 52 675 3777
Russia & CIS +7 (495) 6647564
Sweden 00800 2255 4835*
United Kingdom & Ireland 00800 2255 4835*

Balkans, Israel, South Africa and other ISE Countries +41 52 675 3777
Canada 1 800 833 9200
Denmark +45 80 88 1401
Germany 00800 2255 4835*
Italy 00800 2255 4835*
Mexico, Central/South America & Caribbean 52 (55) 56 04 50 90
Norway 800 16098
Portugal 80 08 12370
South Africa +41 52 675 3777
Switzerland 00800 2255 4835*
USA 1 800 833 9200

* European toll-free number. If not accessible, call: +41 52 675 3777

Updated 10 April 2013

For Further Information. Tektronix maintains a comprehensive, constantly expanding collection of application notes, technical briefs and other resources to help engineers working on the cutting edge of technology. Please visit www.tektronix.com.

Copyright © Tektronix, Inc. All rights reserved. Tektronix products are covered by U.S. and foreign patents, issued and pending. Information in this publication supersedes that in all previously published material. Specification and price change privileges reserved. TEKTRONIX and TEK are registered trademarks of Tektronix, Inc. All other trade names referenced are the service marks, trademarks, or registered trademarks of their respective companies.



22 Aug 2014

1PW-30596-0

www.tektronix.com

