



40W to 65W Medical AC-DC External Power Supplies



| Features | Benefits |
|--|-------------------------------|
| • CEC, ErP and EISA ⁽¹⁾ Level V Compliant, Meets DoE Level VI | • Easier System Approvals |
| • Wide Range AC, Class II IEC320-C8 Input | • Global Operation |
| • 60601-1 & 60601-1-11 Medical Certification /2xMoPP | • Simplifies Equipment Design |
| • >88% Average Efficiency, <0.21W No Load Power | • Consumes Less Energy |

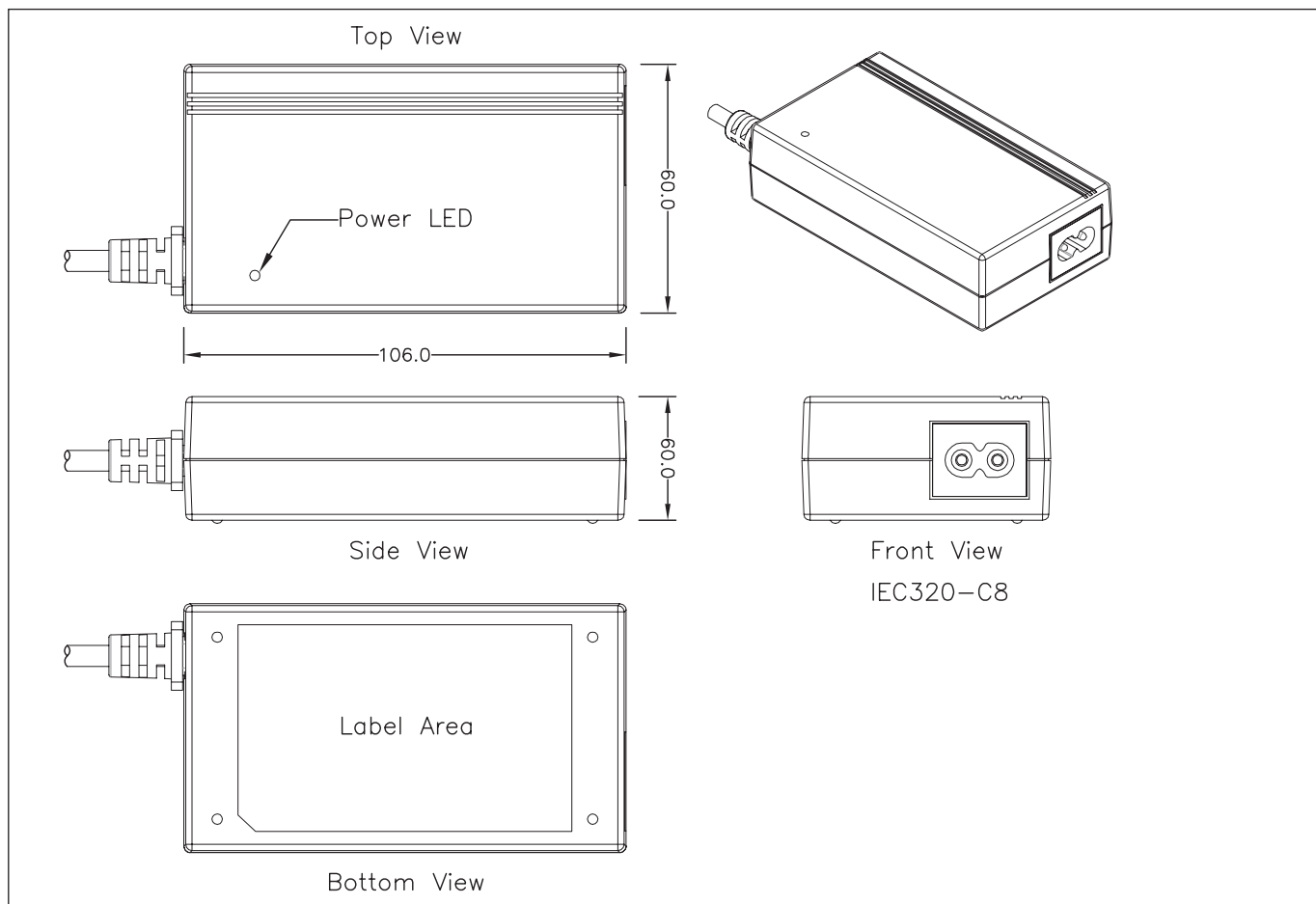
Notes: (1) EISA - Energy Independence and Security Act of 2007

| Specification | | |
|-------------------------------------|----------|--|
| Model | DTM65-C8 | |
| Input Voltage Range | VAC | 90 - 264VAC (47 - 63Hz) |
| Inrush Current | A | <100A at 230VAC input, 25°C ambient cold start |
| Input Current | A | 2A at 90VAC, Full Load |
| Power Factor | - | None |
| Hold Up Time (Typ) | ms | 10ms at 115VAC input |
| Temperature Coefficient | | ±0.05%/°C |
| Voltage Accuracy | % | ±1% |
| Adjustment Range | - | None |
| Minimum Load | A | None |
| Total Regulation | - | 5V to 15V Models: ±5%, >15V models ±3% |
| Ripple & Noise | % | 1% pk-pk |
| Overload & Short Circuit Protection | - | Continuous - hiccup mode |
| Overvoltage Protection | V | 110 - 150% of nominal (Cycle input power to reset) |
| Overtemperature Protection | - | Yes (Cycle input power to reset) |
| Efficiency | % | >88%, average efficiency (5V model: >83.8%) |
| Operating Temperature | - | 0°C to 60°C derate linearly to 50% load from 41°C to 60°C |
| Storage Temperature | °C | -10°C to 70°C |
| Humidity (non condensing) | %RH | 10 - 90% RH |
| Cooling | - | Convection |
| Withstand Voltage | VAC | Input to Output 4kVAC |
| Vibration (non operating) | - | 23.52m/s ² (10 - 55Hz: constant sweep 1 min X, Y, Z for 1 hour) |
| Shock | - | < 196.1 m/s ² (20G) |
| Safety Agency Certifications | - | UL/EN/IEC60601-1, CSA-C22.2 No.60601 3rd edition (2 x MOPP) |
| Offload Power Consumption | W | < 0.21W |
| EMC | - | EN55011B, EN60601-1-2 |
| IP Rating | - | IP21 |
| Weight (Typ) | g | 240g |
| Size (WxLxH) | mm | 60 x 106 x 31 |
| Cable Length | mm | 1050 |
| AC Input Connector | - | IEC 320-C8 (2 prong) |
| Output Connector | - | Kycon KPP-4P or equivalent Pins 1 & 2: -Vout, Pins 3 & 4: +Vout |
| Warranty | Years | 2 |

Output Rating

| Model | Output (V) | Maximum Output (A) | Maximum Power (W) | Efficiency Level |
|--------------|------------|--------------------|-------------------|------------------|
| DTM65PW050C8 | 5 | 8 | 40 | V |
| DTM65PW120C8 | 12 | 5 | 60 | VI |
| DTM65PW150C8 | 15 | 4 | 60 | VI |
| DTM65PW190C8 | 19 | 3.42 | 65 | VI |
| DTM65PW240C8 | 24 | 2.7 | 65 | VI |
| DTM65PW280C8 | 28 | 2.32 | 65 | VI |
| DTM65PW480C8 | 48 | 1.35 | 65 | VI |

Outline Drawing DTM65-C8 Series



Other External AC-DC Products

| | |
|----------|-------------------------------|
| DTM65-C | 40W to 65W Medical Adapters |
| DTM110-C | 90W to 110W Medical Adapters |
| DTM165 | 160W to 165W Medical Adapters |



TDK-Lambda France SAS

ZAC des Delaches
CS 41077
9 rue Thuillere
91978 Villebon Courtaboeuf
France
Tel: +33 1 60 12 71 65
Fax: +33 1 60 12 71 66
france@tdk-lambda.com
www.fr.tdk-lambda.com



Italy Sales Office

Via dei Lavoratori 128/130
20092 Cinisello Balsamo (MI)
Italy
Tel: +39 02 61 29 38 63
Fax: +39 02 61 29 09 00
info.italia@it.tdk-lambda.com
www.it.tdk-lambda.com



Netherlands

info@tdk-lambda.nl
www.tdk-lambda.nl



TDK-Lambda Germany GmbH

Karl-Bold-Strasse 40
77855 Achern
Germany
Tel: +49 7841 666 0
Fax: +49 7841 5000
info.germany@de.tdk-lambda.com
www.de.tdk-lambda.com



Austria Sales Office

Aredstrasse 22
2544 Leobersdorf
Austria
Tel: +43 2256 655 84
Fax: +43 2256 645 12
info.germany@de.tdk-lambda.com
www.de.tdk-lambda.com



Switzerland Sales Office

Bahnhofstrasse 50
8305 Dietlikon
Switzerland
Tel: +41 44 850 53 53
Fax: +41 44 850 53 50
info@de.tdk-lambda.com
www.de.tdk-lambda.com



TDK-Lambda UK Ltd.

Kingsley Avenue
Ilfracombe
Devon EX34 8ES
United Kingdom
Tel: +44 (0) 12 71 85 66 66
Fax: +44 (0) 12 71 86 48 94
powersolutions@uk.tdk-lambda.com
www.uk.tdk-lambda.com



TDK-Lambda Ltd.

Kibbutz
Givat Hashlosha 48800
Israel
Tel: +9 723 902 4333
Fax: +9 723 902 4777
info@tdk-lambda.co.il
www.tdk-lambda.co.il



C.I.S.

Commercial Support:
Tel: +7 (495) 665 2627
Technical Support:
Tel: +7 (812) 658 0463
info@tdk-lambda.ru
www.tdk-lambda.ru

Local Distribution

