

Würth Elektronik eiSos GmbH & Co. KG

EMC & Inductive Solutions

Max-Eyth-Straße 1 · 74638 Waldenburg · Germany

Tel. +49 (0) 79 42 945-0 · Fax +49 (0) 79 42 945-400

eiSos@we-online.de · www.we-online.de



## Product/Process Change Notice (PCN)

- Major change  
 Minor change

PCN #: PCN\_IndSL\_20170510

Product Affected: WE-SL series

PCN Date: February 10<sup>th</sup>, 2017

Effective Date: May 10<sup>th</sup>, 2017

- Product Mark  
 Date Code  
 Packaging  
 Others

Contact: Product Management

Attachment:  Yes  No

Phone: +49 (0) 7942 - 945 5001

Fax: +49 (0) 7942 - 945 5179

E-mail: pcn.eisos@we-online.de

### DESCRIPTION AND PURPOSE OF CHANGE:

In order to enhance the product reliability, Würth Elektronik will change the plastic housing of the component.

Affected part numbers:

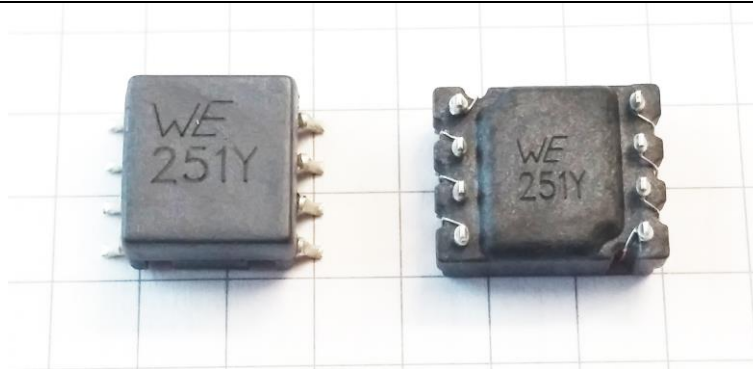
- 744201
- 744202
- 744203
- 744204
- 744205
- 744206
- 744207

Effective Date Code is starting with May 10<sup>th</sup>, 2017 (2017-05-10).

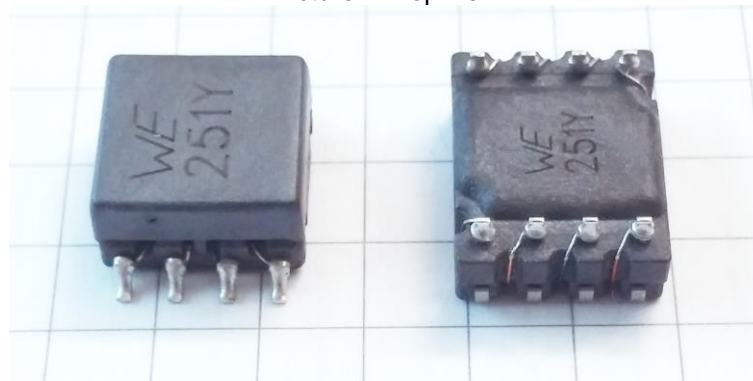
Electrical parameters as well as electrical performance will not be changed. Soldering land pattern is the same for old and new version.

### DETAIL OF CHANGE:

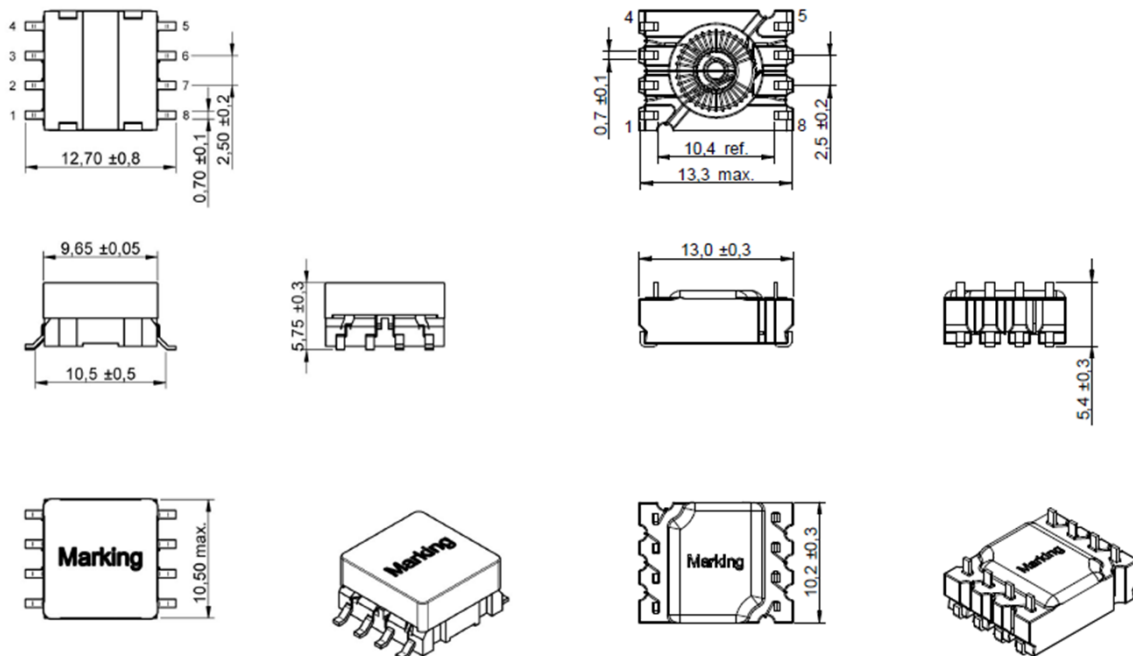
The plastic housing of the component will be changed. The new design consists of a single plastic molded part.



Old Part                      New Part  
 Picture 1: Top view



Old Part                      New Part  
 Picture 2: Front view



Old Part                      New Part  
 Picture 3: Mechanical dimensions

Würth Elektronik eiSos GmbH & Co. KG

EMC & Inductive Solutions

Max-Eyth-Straße 1 · 74638 Waldenburg · Germany

Tel. +49 (0) 79 42 945-0 · Fax +49 (0) 79 42 945-400

eiSos@we-online.de · www.we-online.de



**RELIABILITY / QUALIFICATION SUMMARY:**

Product approval is according to the specification is internally released by Product Management Department.

**DATA SHEET CHANGE:**

Yes

No