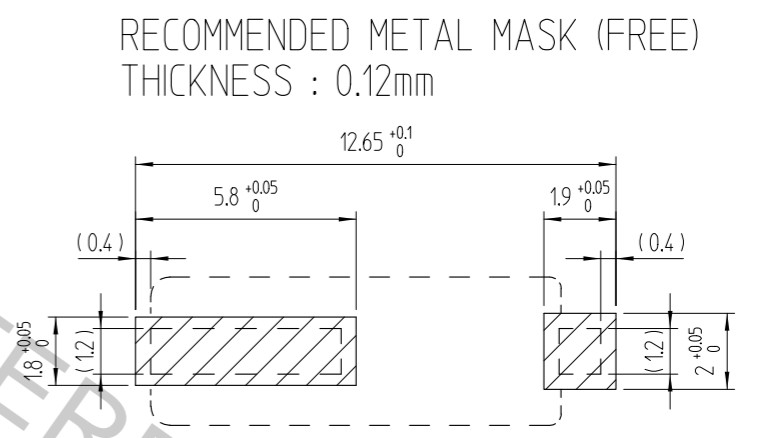
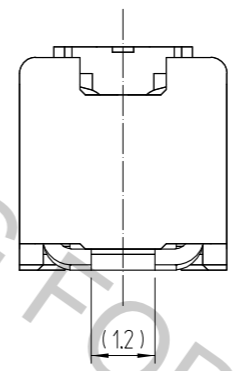
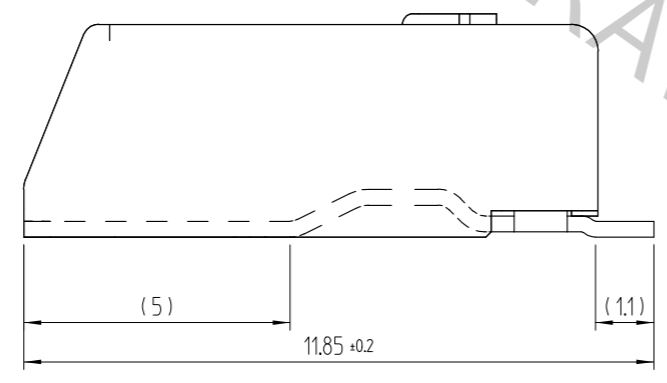
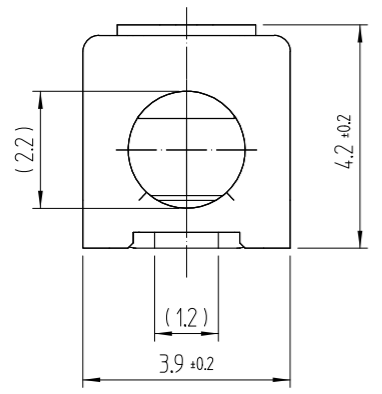
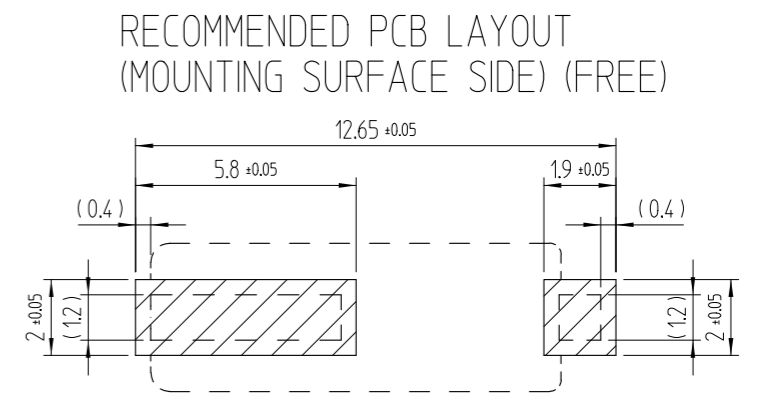
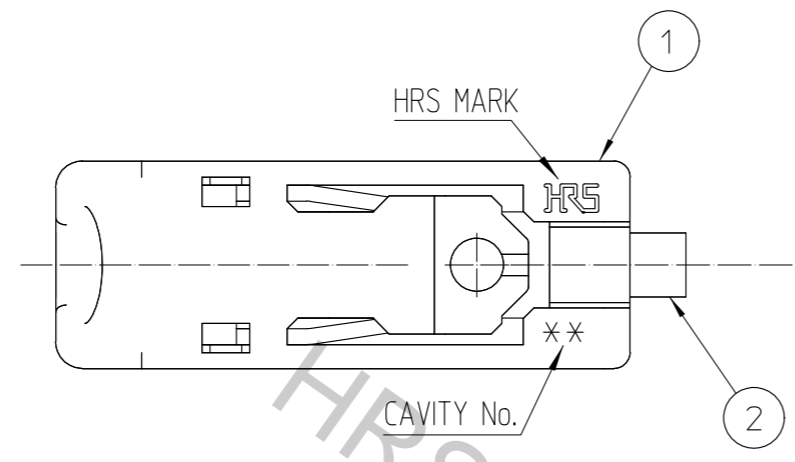


Feb.1.2017 Copyright 2017 HIROSE ELECTRIC CO., LTD. All Rights Reserved.

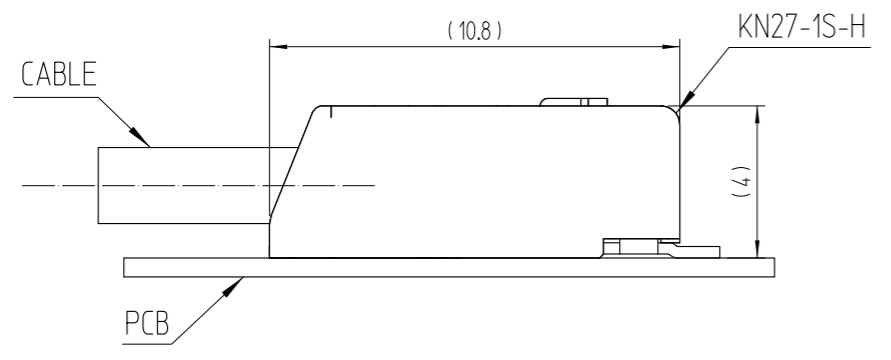
△數 COUNT	訂正事項 DESCRIPTION OF REVISIONS	擔當 B Y	檢圖 CHKD	年月日 DATE	△數 COUNT	訂正事項 DESCRIPTION OF REVISIONS	擔當 B Y	檢圖 CHKD	年月日 DATE
△					△				
△					△				
△					△				



NOTE 1. LEAD CO-PLANARITY SHALL BE 0.1mm MAX.
 2. UL(File No. E132750) AUTHORIZATION ARTICLE.
 C-UL(File No. E132750) AUTHORIZATION ARTICLE.



MATING FIGURE (FREE)



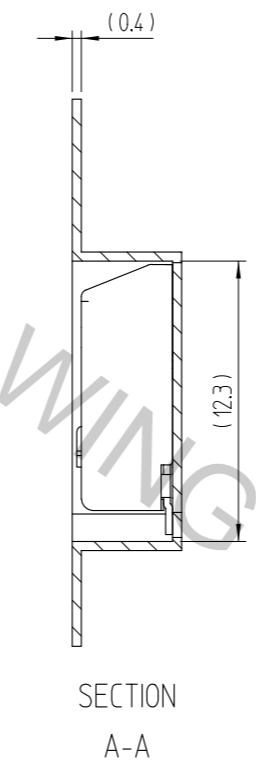
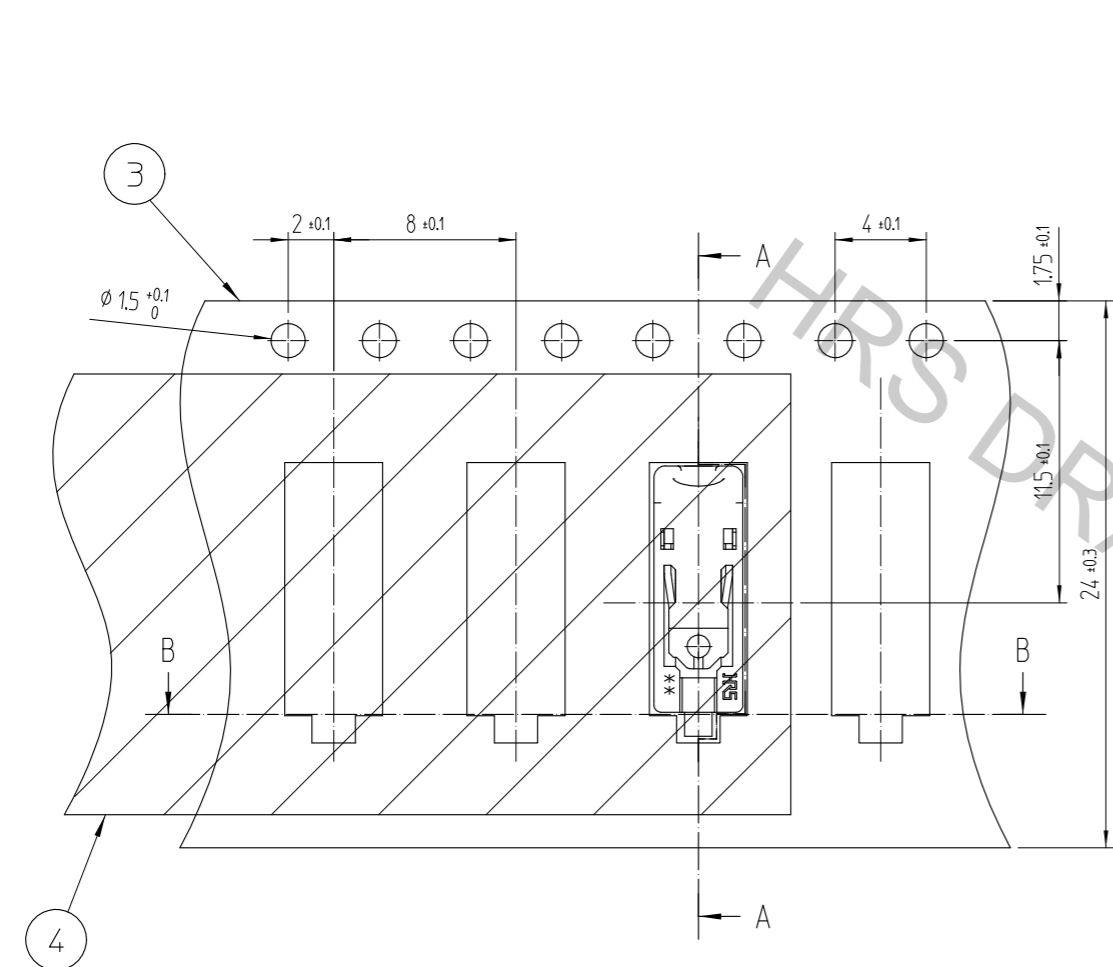
3	PS	EMBOSS CARRIER TAPE			
2	COPPER ALLOY	SnP	5	PS	REEL
1	LCP	UL94-V0, NATURAL	4	PET	COVER TAPE
NO.	MATERIAL	FINISH, REMARKS	NO.	MATERIAL	FINISH, REMARKS
CODE NO. (OLD)			DRAWN	DESIGNED	CHECKED
			S.H.GU	S.H.GU	Y.S.HA
			15.05.08	15.05.08	15.05.08
			APPROVED	RELEASED	
			T.S.KANG		ENG
			15.05.09		2016.09.20
					DEPT
DRAWING NO. EDC3-632126-00			PART NO. KN27-1S-H(835)		
SCALE 7:1			CODE NO. CL6653-0001-8-835		
UNITS mm			HRS HIROSE KOREA CO.,LTD.		
			1/2		

Feb.1.2017 Copyright 2017 HIROSE ELECTRIC CO., LTD. All Rights Reserved.

1 2 3 4 5 6 7 8

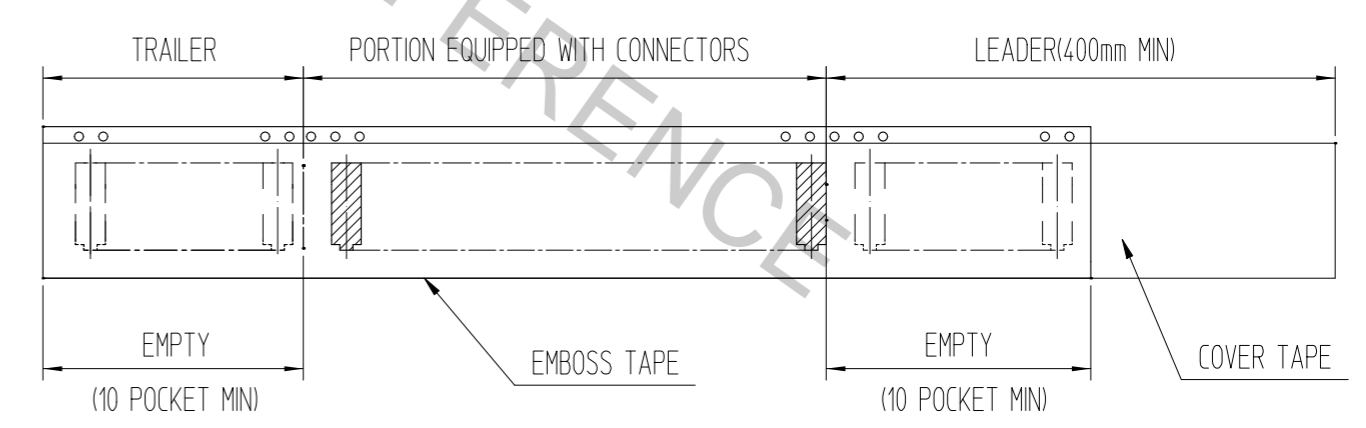
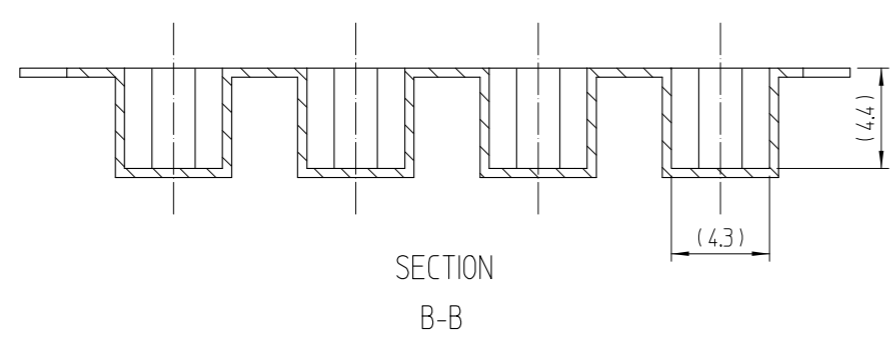
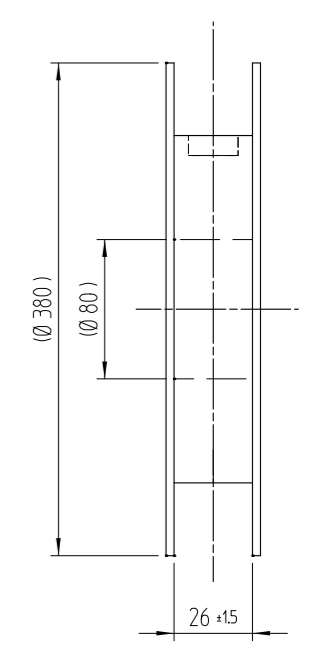
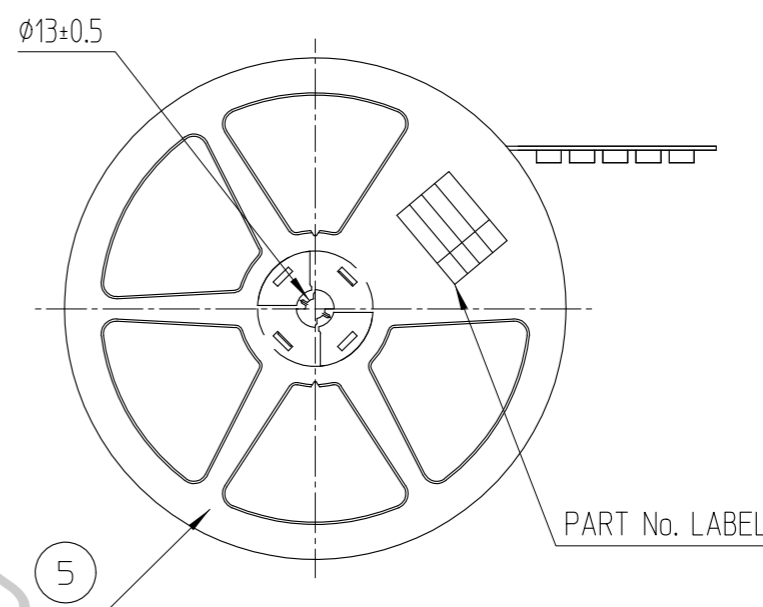
A
B
C
D
E
F

A
B
C
D
E
F



REEL DIMENSION (FREE)

DIRECTION OF PULLING OUT



NOTE 2. 1 REEL CONTAINS 2,500 PCS

 SCALE FREE UNITS mm	DRAWING NO. EDC3-632126-00	PART NO. KN27-1S-H(835)	2/2
	HIROSE KOREA CO.,LTD.		

1 2 3 4 5 6 7 8