

## Thermostats *SKT Series*



### Features

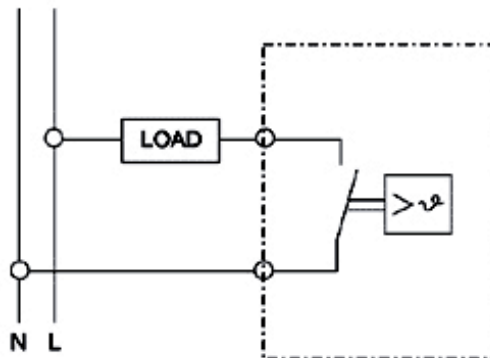
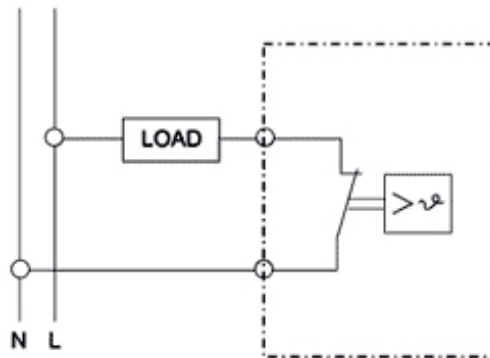
- Designed to provide air temperature control and monitoring in cabinets.
- Thermostat NC (Normally Closed) for the control of heaters and heater fans
- Thermostat NO (Normally Open) for the control of cooling units, or for switching signal transmitters in case of overheating.
- Available in Fahrenheit or Celsius.

### NC - Normally Closed (Red)

- Used in conjunction with heaters.
- Contact opens when rising temperatures reach the set point temperature, shutting heater off.

### NO - Normally open (Blue)

- Used in conjunction with fans.
- Contact closes when rising temperatures reach the set point temperature, turning fan on.



| Part No.    | Scale | Contact Type    | Dimensions             |  | Switching Capacity                   | Ship Wt. lbs |
|-------------|-------|-----------------|------------------------|--|--------------------------------------|--------------|
|             |       |                 | Height x Width x Depth |  |                                      |              |
| SKT011409NC | F°    | Normally Closed | 2.8 x 1.5 x 1.4        |  | 15 A (1) AC 120 V, 10 A (1) AC 250 V | 1            |

| Part No.             | Scale | Contact Type    | Dimensions             |  | Switching Capacity                   | Ship Wt. lbs |
|----------------------|-------|-----------------|------------------------|--|--------------------------------------|--------------|
|                      |       |                 | Height x Width x Depth |  |                                      |              |
| <b>SKT011409NC-C</b> | C°    | Normally Closed | 2.8 x 1.5 x 1.4        |  | 15 A (1) AC 120 V, 10 A (1) AC 250 V | 1            |
| <b>SKT011419NO</b>   | F°    | Normally Open   | 2.8 x 1.5 x 1.4        |  | 15 A (1) AC 120 V, 10 A (1) AC 250 V | 1            |
| <b>SKT011419NO-C</b> | C°    | Normally Open   | 2.8 x 1.5 x 1.4        |  | 15 A (1) AC 120 V, 10 A (1) AC 250 V | 1            |

|                                    |   |
|------------------------------------|---|
| Sensor Element:                    | Thermostatic bi-metal   |
| Switching difference (hysteresis): | + or - 4°F (+or- 3°K)   |
| Adjustment Range:                  | 30 - 140°F  |
| Noise Suppression:                 | N (according to VDE 0875)   |
| Connection:                        | 2 pole terminal for AWG 14 (2.5 mm <sup>2</sup> )                   |
| Mounting:                          | Easily installed by clip mounting on 35 or 38mm DIN rail (included) |
| Housing:                           | Flame retardant plastic UL94VO                                      |
| Color:                             | Gray (SB)   |
| Protection:                        | IP20  |
| Approval:                          | UL Recognized Component, cUL Recognized Component, CE               |

*Data subject to change without notice*