

**PLEASE CHECK WWW.MOLEX.COM FOR LATEST PART INFORMATION**

**Part Number:** [0739270411](#)  
**Status:** **Active**  
**Overview:** SFP+ and SFP Interconnect Solutions  
**Description:** 1-by-4 SFP Ganged Cage, Elastomeric Gasket, Press-fit

**Documents:**

[3D Model](#) [Product Specification TS-74728-0415-001 \(PDF\)](#)  
[Drawing \(PDF\)](#) [RoHS Certificate of Compliance \(PDF\)](#)  
[Product Specification TS-73927-0002-001 \(PDF\)](#)

**General**

Product Family	EMI Cages
Series	<a href="#">73927</a>
Application	Module-to-Board
Application Tooling Part Link	<a href="#">62202-9780</a>
Application Tooling Part Link	<a href="#">62202-9790</a>
Comments	PCB Thickness: 1.60mm Single Sided Use & 3.00mm Belly-to-belly Use 4 Ports
Component Type	Cage Assembly
Overview	<a href="#">SFP+ and SFP Interconnect Solutions</a>
Product Name	SFP
UPC	822348065127
Use With	<a href="#">74742</a> Cable Assemblies, <a href="#">74743</a> Cable Assemblies, <a href="#">73929</a> Cable Assemblies, <a href="#">74720</a> SFP Adapter

**Physical**

EMI Panel / Bezel Mount	Elastomer Gasket
Light Pipes per Port	0
Material - Metal	Copper Alloy
Net Weight	16.500/g
Orientation	Horizontal
Packaging Type	Tray
Port Configuration	1x4
Rear Legs	0
Termination Interface: Style	Through Hole - Compliant Pin
Thermal Height	N/A
Thermal Solutions	Closed Top

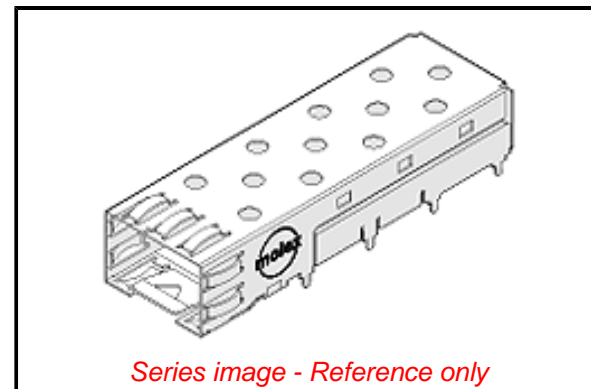
**Solder Process Data**

Lead-freeProcess Capability	N/A
Process Temperature max. C	070

**Material Info**

**Reference - Drawing Numbers**

Product Specification	TS-73927-0002-001, TS-74728-0415-001
Sales Drawing	SD-73927-411



*Series image - Reference only*

**EU ELV**

**Not Relevant**

**EU RoHS**

**Compliant**

**REACH SVHC**

Not Contained Per - ED/21/2016 (20 June 2016)

**Halogen-Free**

**Status**

**Low-Halogen**

**Need more information on product environmental compliance?**

Email [productcompliance@molex.com](mailto:productcompliance@molex.com)  
Please visit the [Contact Us](#) section for any non-product compliance questions.

China ROHS

ELV

RoHS Phthalates

Green Image

Not Relevant

Not Contained

**Search Parts in this Series**

[73927](#) Series