

**PLEASE CHECK WWW.MOLEX.COM FOR LATEST PART INFORMATION**

**Part Number:** [0015311096](#)  
**Status:** **Active**  
**Overview:** Standard .093" Pin and Socket Connectors  
**Description:** 2.36mm Diameter Standard .093" Pin and Socket Header, Vertical, with Beveled Plastic Peg, 9 Circuits

**Documents:**

[3D Model](#) [Product Specification TS-5219-002-001 \(PDF\)](#)  
[Drawing \(PDF\)](#) [RoHS Certificate of Compliance \(PDF\)](#)

**Agency Certification**

UL E29179

**General**

Product Family PCB Headers  
 Series [5219](#)  
 Application Power, Wire-to-Board  
 Overview [Standard .093" Pin and Socket Connectors](#)  
 Product Name Standard .093"  
 UPC 191128090025

**Physical**

Breakaway No  
 Circuits (Loaded) 9  
 Circuits (maximum) 9  
 Color - Resin Natural  
 Durability (mating cycles max) 30  
 Flammability 94V-2  
 Glow-Wire Compliant No  
 Material - Plating Mating Tin  
 Material - Plating Termination Tin  
 Material - Resin Nylon  
 Net Weight 6.976/g  
 Number of Rows 3  
 Orientation Vertical  
 PCB Locator Yes  
 PCB Retention Yes  
 PCB Thickness - Recommended 1.60mm  
 Packaging Type Bag  
 Pitch - Mating Interface 6.70mm  
 Polarized to PCB Yes  
 Shrouded Fully  
 Stackable No  
 Surface Mount Compatible (SMC) No  
 Temperature Range - Operating -40°C to +105°C  
 Termination Interface: Style Through Hole

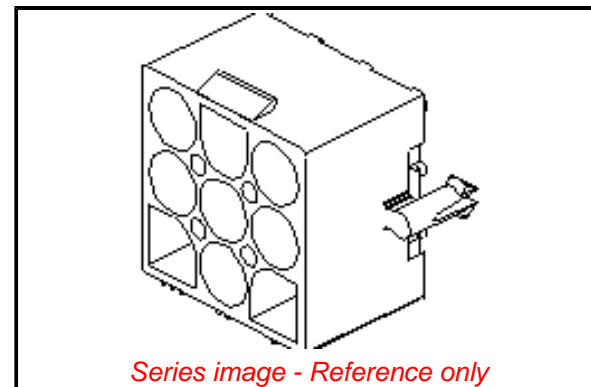
**Electrical**

Current - Maximum per Contact 9.0A  
 Voltage - Maximum 600V

**Solder Process Data**

Duration at Max. Process Temperature (seconds) 005  
 Lead-free Process Capability WAVE  
 Max. Cycles at Max. Process Temperature 001  
 Process Temperature max. C 235

**Material Info**



Series image - Reference only

**EU ELV**

**Not Relevant**

**EU RoHS**

**Compliant**

**China RoHS**

**REACH SVHC**

Not Contained Per -  
 ED/21/2016 (20 June  
 2016)

**Halogen-Free**

**Status**

**Low-Halogen**

**Need more information on product environmental compliance?**

Email [productcompliance@molex.com](mailto:productcompliance@molex.com)  
 Please visit the [Contact Us](#) section for any non-product compliance questions.

China ROHS Green Image  
 ELV Not Relevant  
 RoHS Phthalates Not Contained

**Search Parts in this Series**

[5219 Series](#)

**Mates With**

Receptacle Housing [19-09-1096](#) ,  
[19-09-1099](#)

Engineering Number

A521909B

**Reference - Drawing Numbers**

Product Specification

TS-5219-002-001

Sales Drawing

SDA-5219-09\*\*

This document was generated on 01/20/2017

**PLEASE CHECK [WWW.MOLEX.COM](http://WWW.MOLEX.COM) FOR LATEST PART INFORMATION**