



Is Now Part of



ON Semiconductor®

To learn more about ON Semiconductor, please visit our website at

www.onsemi.com

ON Semiconductor and the ON Semiconductor logo are trademarks of Semiconductor Components Industries, LLC dba ON Semiconductor or its subsidiaries in the United States and/or other countries. ON Semiconductor owns the rights to a number of patents, trademarks, copyrights, trade secrets, and other intellectual property. A listing of ON Semiconductor's product/patent coverage may be accessed at www.onsemi.com/site/pdf/Patent-Marking.pdf. ON Semiconductor reserves the right to make changes without further notice to any products herein. ON Semiconductor makes no warranty, representation or guarantee regarding the suitability of its products for any particular purpose, nor does ON Semiconductor assume any liability arising out of the application or use of any product or circuit, and specifically disclaims any and all liability, including without limitation special, consequential or incidental damages. Buyer is responsible for its products and applications using ON Semiconductor products, including compliance with all laws, regulations and safety requirements or standards, regardless of any support or applications information provided by ON Semiconductor. "Typical" parameters which may be provided in ON Semiconductor data sheets and/or specifications can and do vary in different applications and actual performance may vary over time. All operating parameters, including "Typicals" must be validated for each customer application by customer's technical experts. ON Semiconductor does not convey any license under its patent rights nor the rights of others. ON Semiconductor products are not designed, intended, or authorized for use as a critical component in life support systems or any FDA Class 3 medical devices or medical devices with a same or similar classification in a foreign jurisdiction or any devices intended for implantation in the human body. Should Buyer purchase or use ON Semiconductor products for any such unintended or unauthorized application, Buyer shall indemnify and hold ON Semiconductor and its officers, employees, subsidiaries, affiliates, and distributors harmless against all claims, costs, damages, and expenses, and reasonable attorney fees arising out of, directly or indirectly, any claim of personal injury or death associated with such unintended or unauthorized use, even if such claim alleges that ON Semiconductor was negligent regarding the design or manufacture of the part. ON Semiconductor is an Equal Opportunity/Affirmative Action Employer. This literature is subject to all applicable copyright laws and is not for resale in any manner.



USB1T20 — Universal Serial Bus Transceiver

Features

- Complies with Universal Serial Bus Specification 2.0 for FS/LS Applications
- Utilizes Digital Inputs and Outputs to Transmit and Receive USB Cable Data
- Supports 12Mbit/s Full Speed (FS) and 1.5Mbit/s Low Speed (LS) Serial Data Transmission
- Supports Single-ended and Differential Data Interface as Function of MODE
- Single 3.3 V Supply
- ESD Performance: Human Body Model
 - 9.5 kV on D-, D+ Pins Only
 - 4.0 kV on All Other Pins

Description

USB1T20 is a generic USB 2.0 compliant transceiver. Using a single voltage supply, the USB1T20 provides an ideal USB interface solution for any electronic device able to supply 3.0 V to 3.6 V. It is designed to allow 5.0 V or 3.3 V programmable and standard logic to interface with the physical layer of the Universal Serial Bus (USB). It is capable of transmitting and receiving serial data at both full speed (12Mbit/s) and low speed (1.5Mbit/s) data rates.

Packaged in industry-standard TSSOP package. The USB1T20 is ideal for mobile electronics and other space-constrained applications.

Ordering Information

| Part Number | Operating Temperature Range | Package | Packing Method |
|-------------|-----------------------------|---|----------------|
| USB1T20MTCX | -40° to +85°C | 14-Lead, Thin-Shrink Small-Outline Package (TSSOP) JEDEC MO-153, 4.4mm Wide | Tape and Reel |

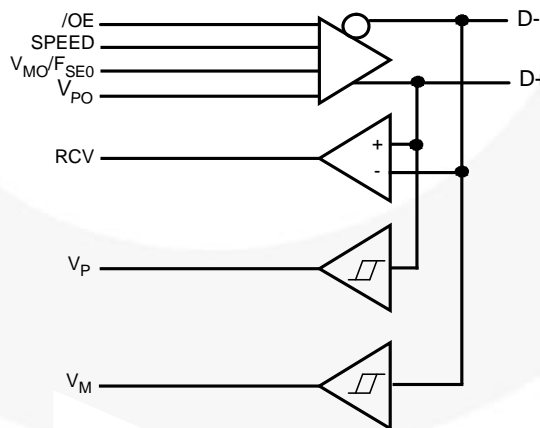


Figure 1. Logic Diagram

Pin Configuration

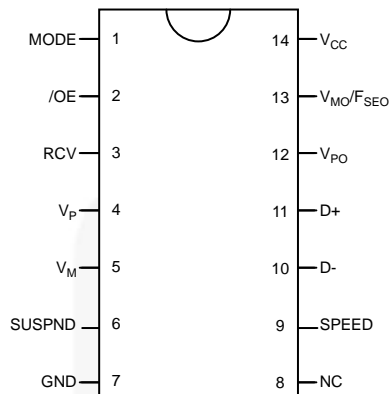


Figure 2. Pin Configuration (Top View)

Pin Definitions

| Pin # | Name | I/O | Description | | | |
|--------|--------------------------|------|---|----------------------------|------------------------------------|---------------|
| 1 | MODE | I | Mode. When left unconnected, a weak pull-up transistor pulls mode pin to V_{CC} and, in this GND, the V_{MO}/F_{SEO} pin takes the function of F_{SEO} (force SEO). | | | |
| 2 | /OE | I | Output Enable. Active LOW; enables the transceiver to transmit data on the bus. When not active, the transceiver is in receive mode. | | | |
| 3 | RCV | O | Receive Data. CMOS-Level output for USB differential input. | | | |
| 4, 5 | V_P, V_M | O | Gated version of D- and D+. Outputs are logic "0" and logic "1." Used to detect single ended zero (/SEO), error conditions, and interconnected speed. (Input to SIE). | | | |
| | | | V_P | V_M | RESULT | |
| | | | 0 | 0 | /SEO | |
| | | | 0 | 1 | Low Speed | |
| | | | 1 | 0 | Full Speed | |
| 6 | SUSPND | I | Suspend. Enables a low-power state while the USB bus is inactive. While the suspend pin is active, it drives the RCV pin to a logic "0" state. Both D+ and D- are 3-state. | | | |
| 7 | GND | | Ground reference. | | | |
| 8 | NC | | No connect. | | | |
| 9 | SPEED | I | Edge Rate Control. Logic "1" operates at edge rates for full speed. Logic "0" operates edge rates for low speed. | | | |
| 10, 11 | D-, D+ | AI/O | Data+, Data-. Differential data bus conforming to the Universal Serial Bus standard. | | | |
| 12, 13 | $V_{PO}, V_{MO}/F_{SEO}$ | I | Inputs to differential driver. (Outputs from SIE.) | | | |
| | | | Mode | V_{PO} | V_{MO}/F_{SEO} | RESULT |
| | | | 0 | 0 | 0 | Logic "0" |
| | | | | 0 | 1 | /SEO |
| | | | | 1 | 0 | Logic "1" |
| | | | | 1 | 1 | /SEO |
| | | | 1 | 0 | 0 | /SEO |
| | | | | 0 | 1 | Logic "0" |
| | | | | 1 | 0 | Logic "1" |
| 1 | 1 | 1 | Illegal Code | | | |
| 14 | V_{CC} | | 3.0 to 3.6 power supply. | | | |

Functional Truth Table

| Input | | | | | I/O | | Outputs | | | |
|------------|-----------------|-----------------------------------|-----|--------|---------|---------|-----------------|-----------------|-----------------|--------------|
| Mode | V _{PO} | V _{MO} /F _{SEO} | /OE | SUSPND | D+ | D- | RCV | V _P | V _M | Result |
| 0 | 0 | 0 | 0 | 0 | 0 | 1 | 0 | 0 | 1 | Logic "0" |
| 0 | 0 | 1 | 0 | 0 | 0 | 0 | Undefined State | 0 | 0 | /SEO |
| 0 | 1 | 0 | 0 | 0 | 1 | 0 | 1 | 1 | 0 | Logic "1" |
| 0 | 1 | 1 | 0 | 0 | 0 | 0 | Undefined State | 0 | 0 | /SEO |
| 1 | 0 | 0 | 0 | 0 | 0 | 0 | Undefined State | 0 | 0 | /SEO |
| 1 | 0 | 1 | 0 | 0 | 0 | 1 | 0 | 0 | 1 | Logic "0" |
| 1 | 1 | 0 | 0 | 0 | 1 | 0 | 1 | 1 | 0 | Logic "1" |
| 1 | 1 | 1 | 0 | 0 | 1 | 1 | Undefined State | Undefined State | Undefined State | Illegal Code |
| Don't Care | Don't Care | Don't Care | 1 | 0 | 3-State | 3-State | Undefined State | Undefined State | Undefined State | D+/D-Hi-Z |
| Don't Care | Don't Care | Don't Care | 1 | 1 | 3-State | 3-State | Undefined State | Undefined State | Undefined State | D+/D-Hi-Z |

Absolute Maximum Ratings

Stresses exceeding the absolute maximum ratings may damage the device. The device may not function or be operable above the recommended operating conditions and stressing the parts to these levels is not recommended. In addition, extended exposure to stresses above the recommended operating conditions may affect device reliability. The absolute maximum ratings are stress ratings only.

| Symbol | Parameter | Min. | Max. | Unit | |
|--------------------|--|----------------------|----------------|----------|----|
| V_{CC} | DC Supply Voltage | -0.5 | 7.0 | V | |
| I_{IK} | DC Input Diode Current, $V_{IN} < 0$ V | | -50 | mA | |
| V_{IN} | Input Voltage ⁽¹⁾ | -0.5 | 5.5 | V | |
| $V_{I/O}$ | Input / Output Voltage | -0.5 | $V_{CC} + 0.5$ | V | |
| I_{OK} | Output Diode Current, $V_O > V_{CC}$ or $V_O < 0$ V | | ± 50 | mA | |
| V_O | Output Voltage ⁽¹⁾ | -0.5 | $V_{CC} + 0.5$ | V | |
| I_O | Output Source or Sink Current ($V_O = 0$ to V_{CC}) | V_P, V_M, RCV Pins | | ± 15 | mA |
| | | D+/D- Pins | | ± 50 | |
| I_{CC} / I_{GND} | V_{CC} / GND Current | | ± 100 | mA | |
| T_{STG} | Storage Temperature Range | -60 | +150 | °C | |

Note:

- The input and output negative voltage ratings may be exceeded if the input and output diode current ratings are observed.

Recommended Operating Conditions

The Recommended Operating Conditions table defines the conditions for actual device operation. Recommended operating conditions are specified to ensure optimal performance to the datasheet specifications. Fairchild does not recommend exceeding them or designing to Absolute Maximum Ratings.

| Symbol | Parameter | Min. | Max. | Unit |
|------------|---|------|----------|------|
| V_{CC} | Supply Voltage | 3.0 | 3.6 | V |
| V_{IN} | Input Voltage | 0 | 5.5 | V |
| $V_{AI/O}$ | Input Range for AI/O | 0 | V_{CC} | V |
| V_O | Output Voltage | 0 | V_{CC} | V |
| T_A | Operating Ambient Temperature, Free Air | -40 | +85 | °C |

DC Electrical Characteristics Digital Pins

Over the recommended range of supply voltage and operating free air temperature unless otherwise noted. $V_{CC} = 3.0\text{ V to }3.6\text{ V}$.

| Symbol | Parameter | Conditions | $T_A = -40\text{ to }+85^\circ\text{C}$ | | | Units |
|------------------------|----------------------------|--|---|------|---------|---------------|
| | | | Min. | Typ. | Max. | |
| Input Levels | | | | | | |
| V_{IL} | Low-Level Input Voltage | | | | 0.8 | V |
| V_{IH} | High-Level Input Voltage | | 2 | | | V |
| Output Levels | | | | | | |
| V_{OL} | Low-Level Output Voltage | $I_{OL} = 4\text{ mA}$ | | | 0.4 | V |
| | | $I_{OL} = 20\text{ }\mu\text{A}$ | | | 0.1 | |
| V_{OH} | High-Level Output Voltage | $I_{OH} = 4\text{ mA}$ | 2.4 | | | V |
| | | $I_{OH} = 20\text{ }\mu\text{A}$ | $V_{CC}-0.1$ | | | |
| Leakage Current | | | | | | |
| I_{IN} | Input Leakage Current | $V_{CC} = 3.0\text{ to }3.6\text{ V}$ | | | ± 5 | μA |
| I_{CCFS} | Supply Current, Full Speed | $V_{CC} = 3.0\text{ to }3.6\text{ V}$ | | | 5 | mA |
| I_{CCLS} | Supply Current, Low Speed | $V_{CC} = 3.0\text{ to }3.6\text{ V}$ | | | 5 | mA |
| I_{CCQ} | Quiescent Supply Current | $V_{CC} = 3.0\text{ to }3.6\text{ V}$, $V_{IN} = V_{CC}\text{ or GND}$ | | | 5 | mA |
| I_{CCS} | Supply Current in Suspend | $V_{CC} = 3.0\text{ to }3.6\text{ V}$, Mode = V_{CC} | | | 10 | μA |

DC Electrical Characteristics D+/D- Pins

Over the recommended range of supply voltage and operating free air temperature unless otherwise noted. $V_{CC} = 3.0\text{ V to }3.6\text{ V}$.

| Symbol | Parameter | Conditions | $T_A = -40\text{ to }+85^\circ\text{C}$ | | | Units |
|--------------------------|---|---|---|------|---------|---------------|
| | | | Min. | Typ. | Max. | |
| Input Levels | | | | | | |
| V_{DI} | Differential Input Sensitivity | $ (D+) - (D-) $ | 0.2 | | | V |
| V_{CM} | Differential Common-Mode Range | Includes V_{DI} Range | 0.8 | | 2.5 | V |
| V_{SE} | Single-Ended Receiver Threshold | | 0.8 | | 2.0 | V |
| Output Levels | | | | | | |
| V_{OL} | Static Output Low-Voltage | R_L of $1.5\text{ k}\Omega$ to 3.6 V | | | 0.3 | V |
| V_{OH} | Static Output High-Voltage | R_L of $1.5\text{ k}\Omega$ to GND | 2.8 | | 3.6 | V |
| V_{CR} | Differential Crossover | | 1.3 | | 2.0 | V |
| Leakage Current | | | | | | |
| I_{OZ} | High-Z State Data Line Leakage Current | $0\text{ V} < V_{IN} < 3.3\text{ V}$ | | | ± 5 | μA |
| Capacitance | | | | | | |
| C_{IN} | Transceiver Capacitance ⁽²⁾ | Pin to GND | | | 10 | pF |
| | Capacitance Match ⁽²⁾ | | | | 10 | % |
| Output Resistance | | | | | | |
| Z_{DRV} | Driver Output Resistance ⁽³⁾ | Steady-State Drive | 4 | | 20 | Ω |
| | Resistance Match ⁽³⁾ | | | | 10 | % |

Notes:

- This specification is guaranteed by design and statistical process distribution.
- Excludes external resistor. To comply with USB specification 1.1, external series resistors of $24\text{ }\Omega \pm 1\%$ each on D+ and D- are recommended.

AC Electrical Characteristics D+/D- Pins, Full Speed

Over the recommended range of supply voltage and operating free air temperature unless otherwise noted.
 $V_{CC} = 3.0\text{ V to }3.6\text{ V}$; $C_L = 50\text{ pF}$; $R_L = 1.5\text{ k}\Omega$ on D+ to V_{CC} .

| Symbol | Parameter | Conditions | $T_A = -40\text{ to }+85^\circ\text{C}$ | | | Units |
|-------------------------------|--|----------------------|---|------|------|-------|
| | | | Min. | Typ. | Max. | |
| Driver Characteristics | | | | | | |
| t_R, t_F | Rise and Fall Time | 10 and 90%, Figure 3 | 4 | | 20 | ns |
| t_{RFM} | Rise/Fall Time Matching | t_r / t_f | 90 | | 110 | % |
| V_{CRS} | Output Signal Crossover Voltage | | 1.3 | | 2.0 | V |
| Driver Timings | | | | | | |
| t_{PLH} | Driver Propagation Delay ($V_{PO}, V_{MO}/F_{SEO}$ to D+/D-) | Figure 4 | | | 18 | ns |
| t_{PHZ}, t_{PLZ} | Driver Disable Delay (/OE to D+/D-) | Figure 6 | | | 13 | ns |
| t_{PZH}, t_{PZL} | Driver Enable Delay (/OE to D+/D-) | Figure 6 | | | 17 | ns |
| Receiver Timings | | | | | | |
| t_{PLH} | Receiver Propagation Delay D+/D- to RVC | Figure 5 | | | 16 | ns |
| t_{PHL} | | | | | 19 | ns |
| t_{PLH}, t_{PHL} | Single-ended Receiver Delay (D+, D- to V_P, V_M) | Figure 5 | | | 8 | ns |

AC Electrical Characteristics D+/D- Pins, Low Speed

Over the recommended range of supply voltage and operating free air temperature unless otherwise noted.
 $V_{CC} = 3.0\text{ V to }3.6\text{ V}$; $C_L = 200\text{ pF to }600\text{ pF}$; $R_L = 1.5\text{ k}\Omega$ on D- to V_{CC} .

| Symbol | Parameter | Conditions | $T_A = -40\text{ to }+85^\circ\text{C}$ | | | Units |
|-------------------------------|--|----------------------|---|------|------|-------|
| | | | Min. | Typ. | Max. | |
| Driver Characteristics | | | | | | |
| t_{LR}, t_{LF} | Rise and Fall Time | 10 and 90%, Figure 3 | 75 | | 300 | ns |
| t_{RFM} | Rise/Fall Time Matching | t_r / t_f | 80 | | 120 | % |
| V_{CRS} | Output Signal Crossover Voltage | | 1.3 | | 2.0 | V |
| Driver Timings | | | | | | |
| t_{PLH}, t_{PHL} | Driver Propagation Delay ($V_{PO}, V_{MO}/F_{SEO}$ to D+/D-) | Figure 4 | | | 300 | ns |
| t_{PHZ}, t_{PLZ} | Driver Disable Delay (/OE to D+/D-) | Figure 6 | | | 13 | ns |
| t_{PZH}, t_{PZL} | Driver Enable Delay (/OE to D+/D-) | Figure 6 | | | 205 | ns |
| Receiver Timings | | | | | | |
| t_{PLH}, t_{PHL} | Receiver Propagation Delay (D+/D- to RVC) | Figure 5 | | | 18 | ns |
| t_{PLH}, t_{PHL} | Single-ended Receiver Delay (D+, D- to V_P, V_M) | Figure 5 | | | 28 | ns |

AC Loadings and Waveforms

V_{OL} and V_{OH} are the typical output voltage drops that occur with the output load. V_{CC} never goes below 3.0 V.

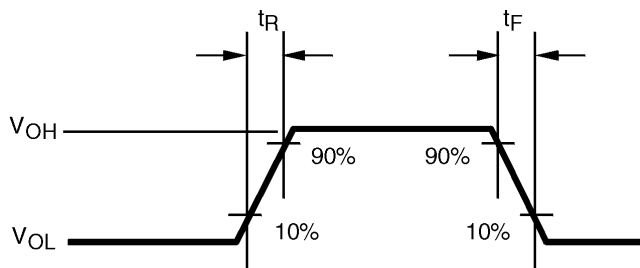


Figure 3. Rise and Fall Times

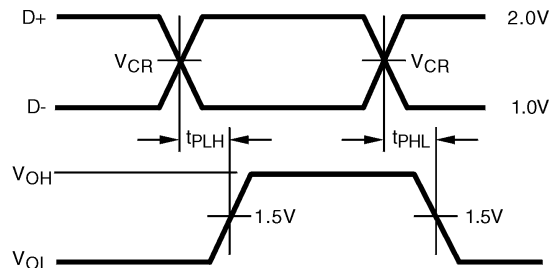


Figure 4. V_{PO} , V_{MO}/F_{SEO} to D+/D-

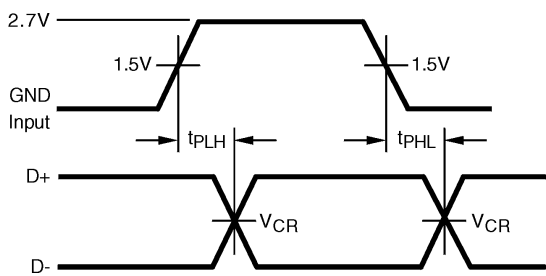


Figure 5. D+/D- to RCV, V_F/V_M

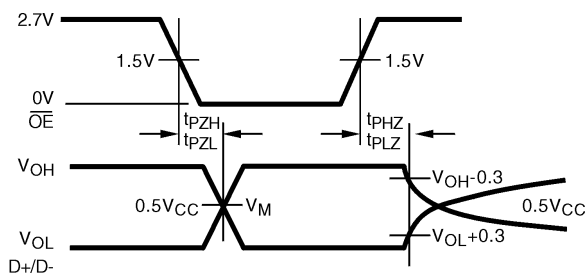


Figure 6. /OE to D+/D-

Test Circuits and Waveforms

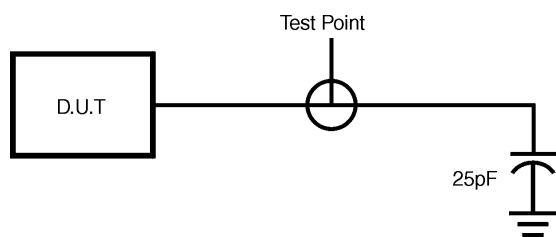


Figure 7. Load for V_M/V_P and RCV

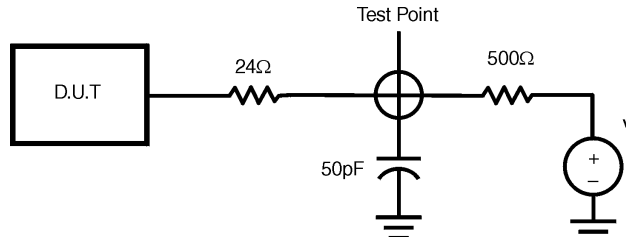
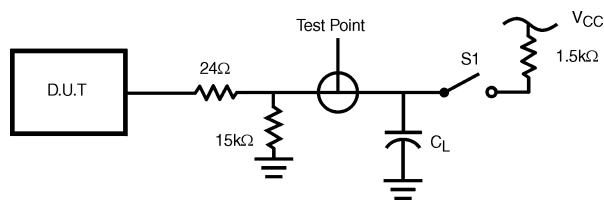


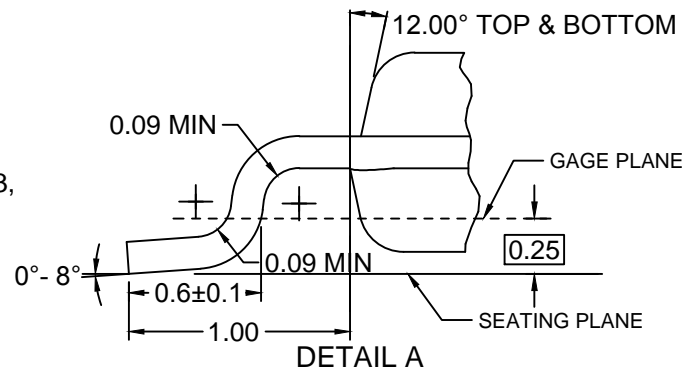
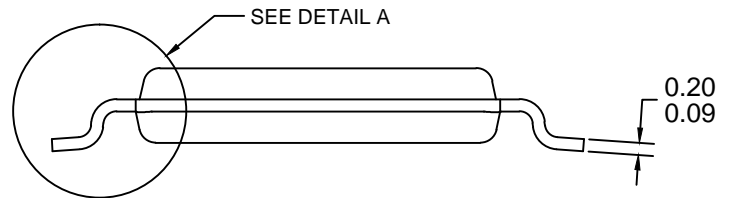
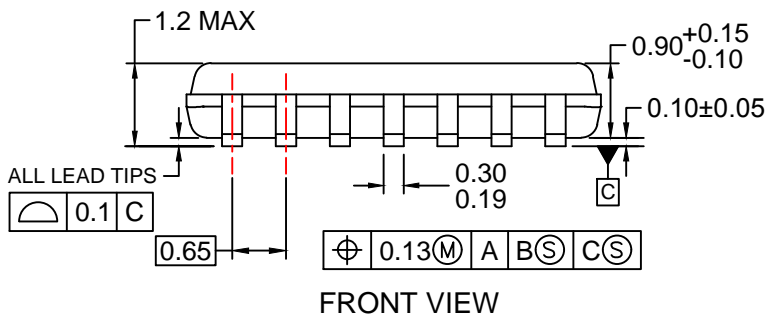
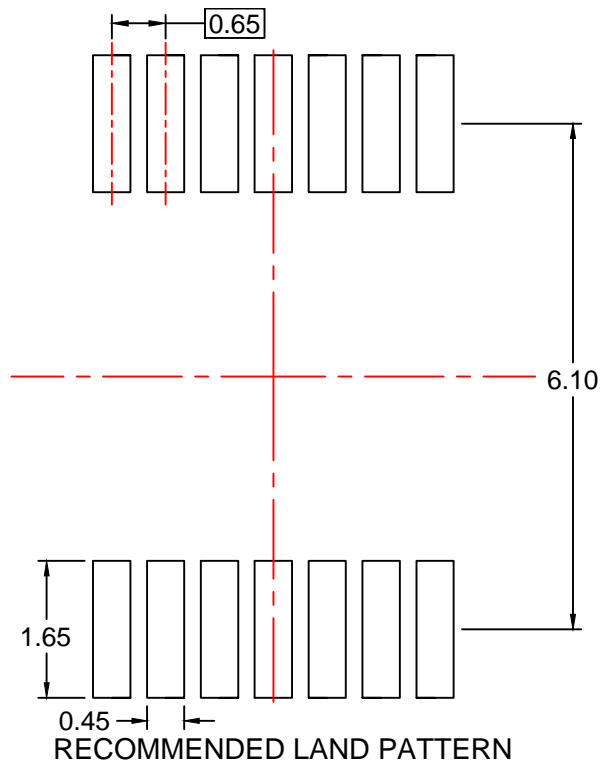
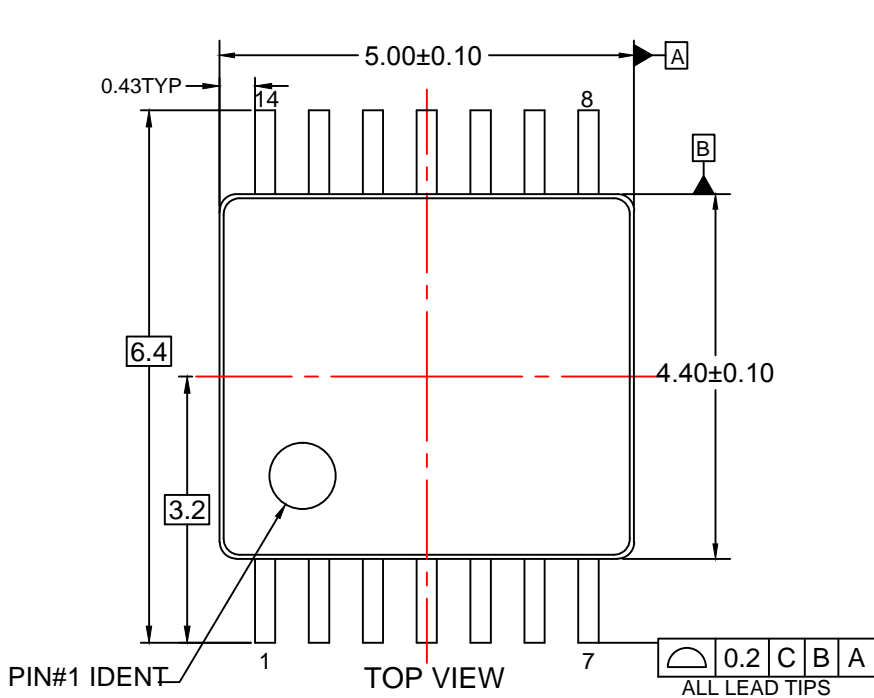
Figure 8. Load for Enable and Disable Times



| Test | S1 |
|-------|-------|
| D-/LS | Close |
| D+/LS | Open |
| D-/FS | Open |
| D+/FS | Close |

$C_L=50\text{pF}$, Full Speed
 $C_L=200\text{pF}$, Low Speed (Minimum Timing)
 $C_L=600\text{pF}$, Low Speed (Maximum Timing)
 1.5kΩ on D- (Low Speed) or D+ (Full Speed) only

Figure 9. Load for D+/D-



NOTES:

- A. CONFORMS TO JEDEC REGISTRATION MO-153, VARIATION AB, REF NOTE 6
- B. DIMENSIONS ARE IN MILLIMETERS.
- C. DIMENSIONS ARE EXCLUSIVE OF BURRS, MOLD FLASH, AND TIE BAR EXTRUSIONS
- D. DIMENSIONING AND TOLERANCES PER ANSI Y14.5M, 2009.
- E. LANDPATTERN STANDARD: SOP65P640X110-14M.
- F. DRAWING FILE NAME: MKT-MTC14rev7.



ON Semiconductor and  are trademarks of Semiconductor Components Industries, LLC dba ON Semiconductor or its subsidiaries in the United States and/or other countries. ON Semiconductor owns the rights to a number of patents, trademarks, copyrights, trade secrets, and other intellectual property. A listing of ON Semiconductor's product/patent coverage may be accessed at www.onsemi.com/site/pdf/Patent-Marking.pdf. ON Semiconductor reserves the right to make changes without further notice to any products herein. ON Semiconductor makes no warranty, representation or guarantee regarding the suitability of its products for any particular purpose, nor does ON Semiconductor assume any liability arising out of the application or use of any product or circuit, and specifically disclaims any and all liability, including without limitation special, consequential or incidental damages. Buyer is responsible for its products and applications using ON Semiconductor products, including compliance with all laws, regulations and safety requirements or standards, regardless of any support or applications information provided by ON Semiconductor. "Typical" parameters which may be provided in ON Semiconductor data sheets and/or specifications can and do vary in different applications and actual performance may vary over time. All operating parameters, including "Typicals" must be validated for each customer application by customer's technical experts. ON Semiconductor does not convey any license under its patent rights nor the rights of others. ON Semiconductor products are not designed, intended, or authorized for use as a critical component in life support systems or any FDA Class 3 medical devices or medical devices with a same or similar classification in a foreign jurisdiction or any devices intended for implantation in the human body. Should Buyer purchase or use ON Semiconductor products for any such unintended or unauthorized application, Buyer shall indemnify and hold ON Semiconductor and its officers, employees, subsidiaries, affiliates, and distributors harmless against all claims, costs, damages, and expenses, and reasonable attorney fees arising out of, directly or indirectly, any claim of personal injury or death associated with such unintended or unauthorized use, even if such claim alleges that ON Semiconductor was negligent regarding the design or manufacture of the part. ON Semiconductor is an Equal Opportunity/Affirmative Action Employer. This literature is subject to all applicable copyright laws and is not for resale in any manner.

PUBLICATION ORDERING INFORMATION

LITERATURE FULFILLMENT:

Literature Distribution Center for ON Semiconductor
19521 E. 32nd Pkwy, Aurora, Colorado 80011 USA
Phone: 303-675-2175 or 800-344-3860 Toll Free USA/Canada
Fax: 303-675-2176 or 800-344-3867 Toll Free USA/Canada
Email: orderlit@onsemi.com

N. American Technical Support: 800-282-9855 Toll Free
USA/Canada
Europe, Middle East and Africa Technical Support:
Phone: 421 33 790 2910
Japan Customer Focus Center
Phone: 81-3-5817-1050

ON Semiconductor Website: www.onsemi.com
Order Literature: <http://www.onsemi.com/orderlit>
For additional information, please contact your local
Sales Representative