

PLEASE CHECK WWW.MOLEX.COM FOR LATEST PART INFORMATION

Part Number: **0900590009**
Status: **Active**
Overview: C-Grid III™
Description: 2.54mm Pitch C-Grid® Micro Shunt, Low Profile, 0.381µm Select Gold (Au) with Gold (Au) Flash Plating

Documents:

[3D Model](#) [Product Specification PS-90059-001 \(PDF\)](#)
[Drawing \(PDF\)](#) [RoHS Certificate of Compliance \(PDF\)](#)

Agency Certification

CSA LR19980
 UL E29179

General

Product Family Accessories
 Series 90059
 Component Type Shunt
 Overview C-Grid III™
 Product Name C-Grid®, C-Grid III™, SL™
 UPC 800753539143

Physical

Circuits (Loaded) 2
 Color - Resin Natural
 Flammability 94V-0
 Gender Female
 Lock to Mating Part None
 Material - Metal Phosphor Bronze
 Material - Plating Mating Gold
 Material - Plating Termination Nickel
 Material - Resin Polyester
 Net Weight 72.025/mg
 Number of Rows 1
 Packaging Type Bag
 Plating min - Mating 0.381µm
 Plating min - Termination 0.203µm
 Temperature Range - Operating -55°C to +125°C
 Termination Interface: Style Surface Mount

Electrical

Current - Maximum per Contact 3.0A

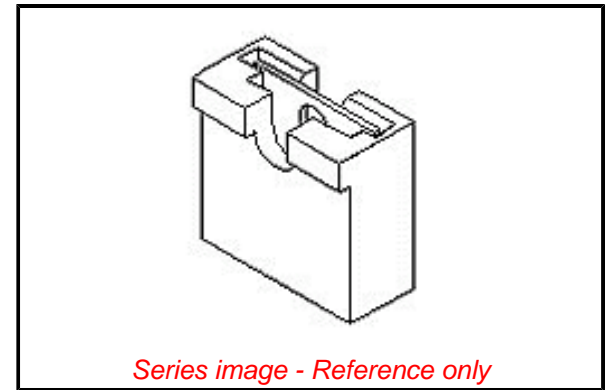
Solder Process Data

Lead-free Process Capability N/A

Material Info

Reference - Drawing Numbers

Product Specification PS-90059-001
 Sales Drawing SDA-90059



EU ELV

Not Relevant

EU RoHS

Compliant

REACH SVHC

Not Contained Per -
 ED/21/2016 (20 June
 2016)

Halogen-Free

Status

Not Low-Halogen

**Need more information on product
 environmental compliance?**

Email productcompliance@molex.com
 Please visit the [Contact Us](#) section for any
 non-product compliance questions.

China ROHS

ELV

RoHS Phthalates

Green Image

Not Relevant

Not Contained

Search Parts in this Series

90059 Series

Use With

(0.64)/.025 square and round pins