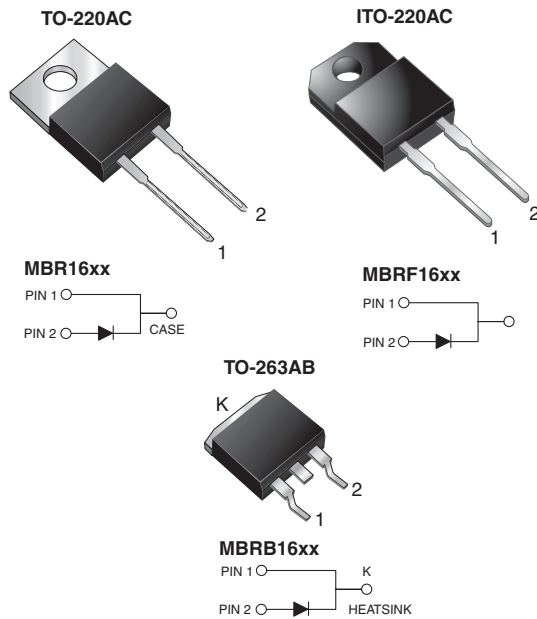


Schottky Barrier Rectifier



FEATURES

- Power pack
- Guardring for overvoltage protection
- Low power loss, high efficiency
- Low forward voltage drop
- High forward surge capability
- High frequency operation
- Meets MSL level 1, per J-STD-020, LF maximum peak of 245 °C (for TO-263AB package)
- Solder bath temperature 275 °C maximum, 10 s, per JESD 22-B106 (for TO-220AC and ITO-220AC package)
- AEC-Q101 qualified
- Material categorization: For definitions of compliance please see www.vishay.com/doc?99912



RoHS
COMPLIANT

TYPICAL APPLICATIONS

For use in low voltage, high frequency rectifier of switching mode power supplies, freewheeling diodes, DC/DC converters, and polarity protection application.

PRIMARY CHARACTERISTICS

| | |
|------------------|-------------------------------|
| $I_{F(AV)}$ | 16 A |
| V_{RRM} | 35 V to 60 V |
| I_{FSM} | 150 A |
| V_F | 0.57 V, 0.65 V |
| T_J max. | 150 °C |
| Package | TO-220AC, ITO-220AC, TO-263AB |
| Diode variations | Single die |

MECHANICAL DATA

Case: TO-220AC, ITO-220AC, TO-263AB

Molding compound meets UL 94 V-0 flammability rating
Base P/N-E3 - RoHS-compliant, commercial grade
Base P/NHE3 - RoHS-compliant, AEC-Q101 qualified

Terminals: Matte tin plated leads, solderable per J-STD-002 and JESD 22-B102

E3 suffix meets JESD 201 class 1A whisker test, HE3 suffix meets JESD 201 class 2 whisker test

Polarity: As marked

Mounting Torque: 10 in-lbs maximum

MAXIMUM RATINGS ($T_C = 25\text{ °C}$ unless otherwise noted)

| PARAMETER | SYMBOL | MBR1635 | MBR1645 | MBR1650 | MBR1660 | UNIT |
|--|-------------|---------------|---------|---------|---------|------------------|
| Maximum repetitive peak reverse voltage | V_{RRM} | 35 | 45 | 50 | 60 | V |
| Working peak reverse voltage | V_{RWM} | 35 | 45 | 50 | 60 | |
| Maximum DC blocking voltage | V_{DC} | 35 | 45 | 50 | 60 | |
| Maximum average forward rectified current at $T_C = 125\text{ °C}$ | $I_{F(AV)}$ | 16 | | | | A |
| Peak forward surge current 8.3 ms single half sine-wave superimposed on rated load | I_{FSM} | 150 | | | | |
| Peak repetitive reverse current at $t_p = 2.0\ \mu\text{s}$, 1 kHz | I_{RRM} | 1.0 | | 0.5 | | |
| Voltage rate of change (rated V_R) | dV/dt | 10 000 | | | | V/ μs |
| Operating junction temperature range | T_J | - 65 to + 150 | | | | °C |
| Storage temperature range | T_{STG} | - 65 to + 175 | | | | |
| Isolation voltage (ITO-220AC only) from terminal to heatsink $t = 1\text{ min}$ | V_{AC} | 1500 | | | | V |



| ELECTRICAL CHARACTERISTICS ($T_C = 25\text{ }^\circ\text{C}$ unless otherwise noted) | | | | | | | | |
|--|-------------|---------------------|-----------------------------------|---------|---------|---------|---------|------|
| PARAMETER | SYMBOL | TEST CONDITIONS | | MBR1635 | MBR1645 | MBR1650 | MBR1660 | UNIT |
| Maximum instantaneous forward voltage | $V_F^{(1)}$ | $I_F = 16\text{ A}$ | $T_C = 25\text{ }^\circ\text{C}$ | 0.63 | | 0.75 | | V |
| | | $I_F = 16\text{ A}$ | $T_C = 125\text{ }^\circ\text{C}$ | 0.57 | | 0.65 | | |
| Maximum instantaneous reverse current at DC blocking voltage | $I_R^{(1)}$ | Rated V_R | $T_C = 25\text{ }^\circ\text{C}$ | 0.2 | | 1.0 | | mA |
| | | | $T_C = 125\text{ }^\circ\text{C}$ | 40 | | 50 | | |

Notes

- (1) Pulse test: 300 μs pulse width, 1 % duty cycle
- (2) Pulse test: Pulse width $\leq 40\text{ ms}$

| THERMAL CHARACTERISTICS ($T_C = 25\text{ }^\circ\text{C}$ unless otherwise noted) | | | | | |
|---|-----------------|-----|------|------|--------------------|
| PARAMETER | SYMBOL | MBR | MBRF | MBRB | UNIT |
| Typical thermal resistance from junction to case | $R_{\theta JC}$ | 1.5 | 3.0 | 1.5 | $^\circ\text{C/W}$ |

| ORDERING INFORMATION (Example) | | | | | |
|---------------------------------------|-------------------------------|-----------------|--------------|---------------|---------------|
| PACKAGE | PREFERRED P/N | UNIT WEIGHT (g) | PACKAGE CODE | BASE QUANTITY | DELIVERY MODE |
| TO-220AC | MBR1645-E3/45 | 1.80 | 45 | 50/tube | Tube |
| ITO-220AC | MBRF1645-E3/45 | 1.94 | 45 | 50/tube | Tube |
| TO-263AB | MBRB1645-E3/45 | 1.33 | 45 | 50/tube | Tube |
| TO-263AB | MBRB1645-E3/81 | 1.33 | 81 | 800/reel | Tape and reel |
| TO-220AC | MBR1645HE3/45 ⁽¹⁾ | 1.80 | 45 | 50/tube | Tube |
| ITO-220AC | MBRF1645HE3/45 ⁽¹⁾ | 1.94 | 45 | 50/tube | Tube |
| TO-263AB | MBRB1645HE3/45 ⁽¹⁾ | 1.33 | 45 | 50/tube | Tube |
| TO-263AB | MBRB1645HE3/81 ⁽¹⁾ | 1.33 | 81 | 800/reel | Tape and reel |

Note

- (1) AEC-Q101 qualified



RATINGS AND CHARACTERISTICS CURVES

(T_A = 25 °C unless otherwise noted)

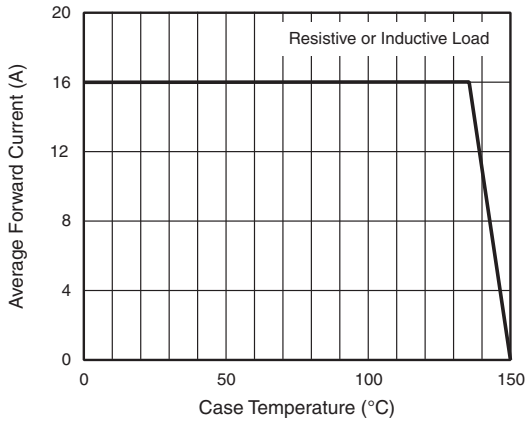


Fig. 1 - Forward Current Derating Curve

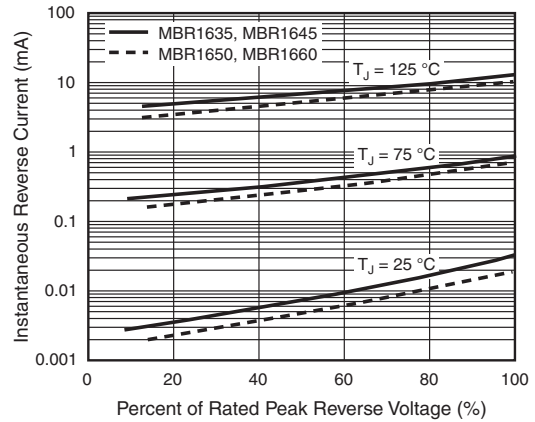


Fig. 4 - Typical Reverse Characteristics

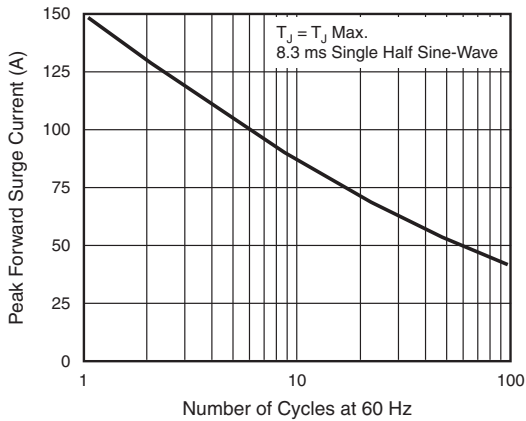


Fig. 2 - Maximum Non-Repetitive Peak Forward Surge Current

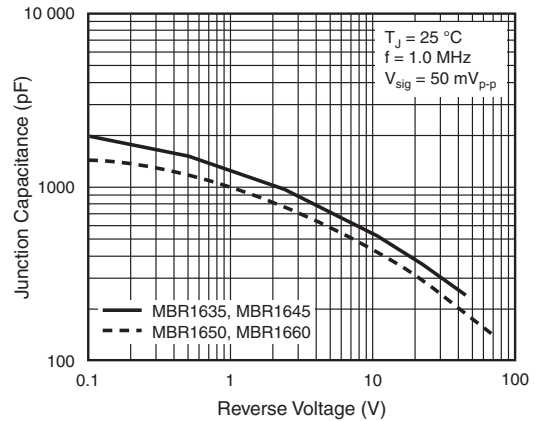


Fig. 5 - Typical Junction Capacitance

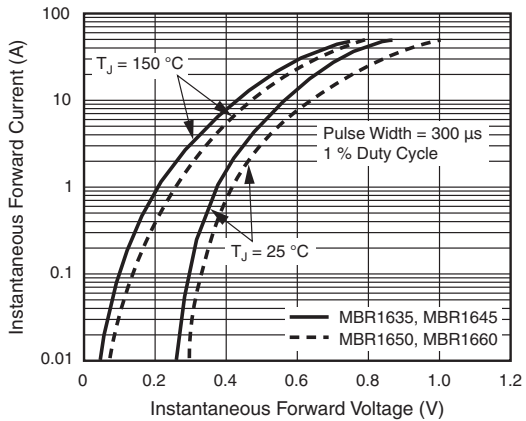


Fig. 3 - Typical Instantaneous Forward Characteristics

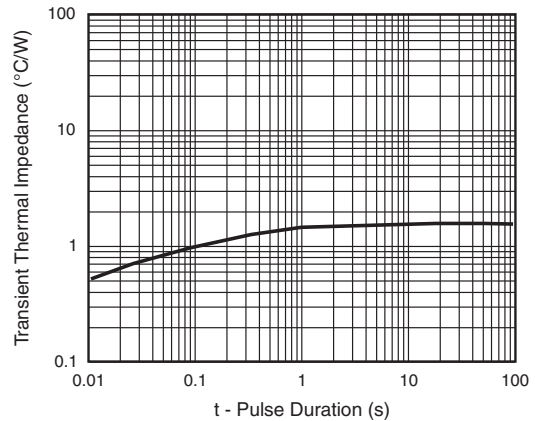
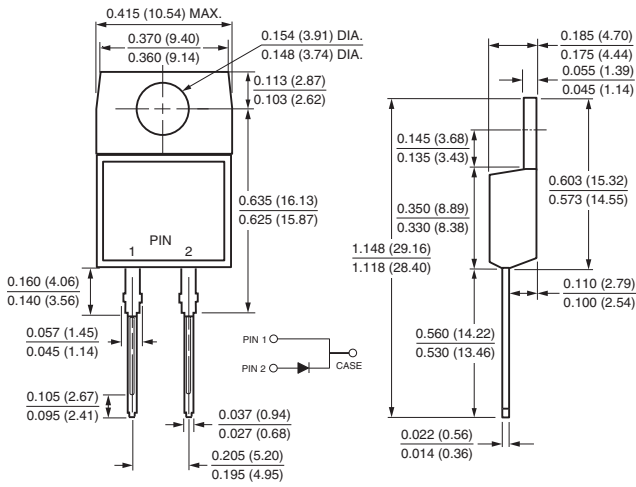


Fig. 6 - Typical Transient Thermal Impedance

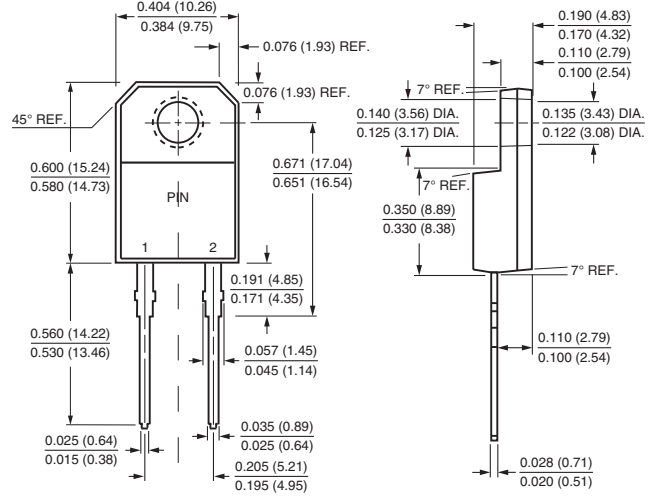


PACKAGE OUTLINE DIMENSIONS in inches (millimeters)

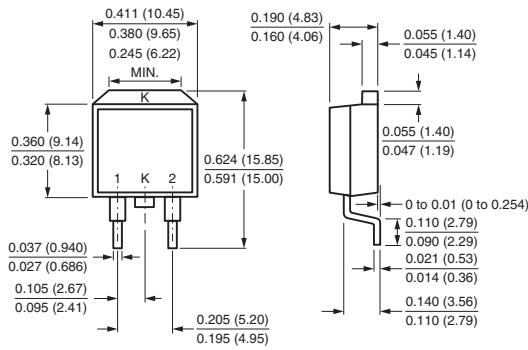
TO-220AC



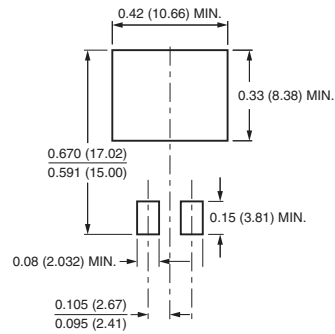
ITO-220AC



TO-263AB



Mounting Pad Layout





Disclaimer

ALL PRODUCT, PRODUCT SPECIFICATIONS AND DATA ARE SUBJECT TO CHANGE WITHOUT NOTICE TO IMPROVE RELIABILITY, FUNCTION OR DESIGN OR OTHERWISE.

Vishay Intertechnology, Inc., its affiliates, agents, and employees, and all persons acting on its or their behalf (collectively, "Vishay"), disclaim any and all liability for any errors, inaccuracies or incompleteness contained in any datasheet or in any other disclosure relating to any product.

Vishay makes no warranty, representation or guarantee regarding the suitability of the products for any particular purpose or the continuing production of any product. To the maximum extent permitted by applicable law, Vishay disclaims (i) any and all liability arising out of the application or use of any product, (ii) any and all liability, including without limitation special, consequential or incidental damages, and (iii) any and all implied warranties, including warranties of fitness for particular purpose, non-infringement and merchantability.

Statements regarding the suitability of products for certain types of applications are based on Vishay's knowledge of typical requirements that are often placed on Vishay products in generic applications. Such statements are not binding statements about the suitability of products for a particular application. It is the customer's responsibility to validate that a particular product with the properties described in the product specification is suitable for use in a particular application. Parameters provided in datasheets and / or specifications may vary in different applications and performance may vary over time. All operating parameters, including typical parameters, must be validated for each customer application by the customer's technical experts. Product specifications do not expand or otherwise modify Vishay's terms and conditions of purchase, including but not limited to the warranty expressed therein.

Except as expressly indicated in writing, Vishay products are not designed for use in medical, life-saving, or life-sustaining applications or for any other application in which the failure of the Vishay product could result in personal injury or death. Customers using or selling Vishay products not expressly indicated for use in such applications do so at their own risk. Please contact authorized Vishay personnel to obtain written terms and conditions regarding products designed for such applications.

No license, express or implied, by estoppel or otherwise, to any intellectual property rights is granted by this document or by any conduct of Vishay. Product names and markings noted herein may be trademarks of their respective owners.