

## Si5356 EVALUATION BOARD USER'S GUIDE

### Description

The Si5356 evaluation board (EVB) is used for evaluating the Si5356 I<sup>2</sup>C programmable, any frequency 1–200 MHz, quad frequency 8-output clock generator.

### EVB Features

- Fully powered from a single USB port
- On-board 25 MHz XTAL allows standalone asynchronous operation
- GUI programmable  $V_{DD}$  supply allows device to operate from 3.3 V, 2.5 V, or 1.8 V (core)
- GUI programmable  $V_{DDO}$  supplies allows each of the four banks of outputs to have its own supply voltage selectable from 3.3 V, 2.5 V, and 1.8 V
- GUI controlled voltage, current, and power measurements of  $V_{DD}$  and all four  $V_{DDO}$  supplies.
- Voltage supply jumpers allows easy access for use of external supplies or current measurements.

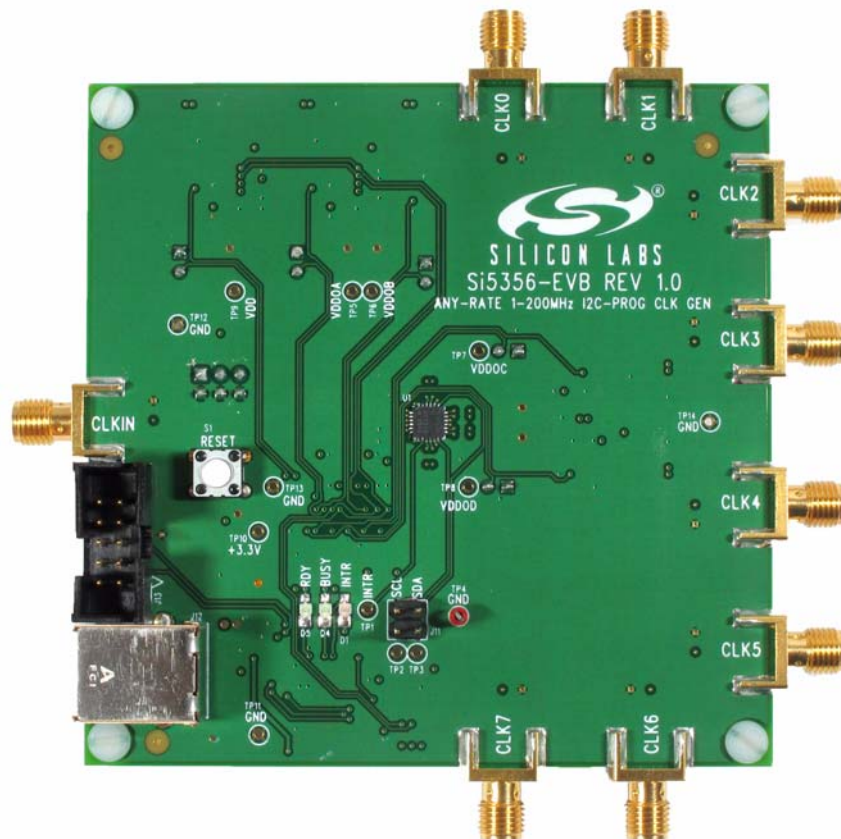


Figure 1. Si5356 Evaluation Board

# Si5356-EVB

## 1. Quick Start

1. Install the Si5356 ClockBuilder™ Desktop Software and driver. (Assumes that Microsoft .NET Framework 1.1 is already installed.)
2. Connect a USB cable from the EVB to the PC where the software was installed.
3. Leave the jumpers as installed from the factory and launch the Si5356 configuration software by clicking on **Start → Programs → Silicon Laboratories → ClockBuilder Desktop Software**.
4. Click on the “ClockBuilder Desktop” to configure the Si5356 using the graphical user interface.

## 2. Functional Description

A function block diagram of the EVB is shown in Figure 2. The MCU performs the USB to I<sup>2</sup>C conversion, controls the voltage regulators, monitors the INTR pin, and controls the three status LEDs. There are five programmable voltage regulators (VDD, VDDOA, VDDOB, VDDOC, VDDOD), which supply power to the Si5356 device. VDD and VDDO jumpers allow the option of powering the device from external supplies or as a convenient point for measuring current. I<sup>2</sup>C jumpers allow disconnecting the Si5356 from the I<sup>2</sup>C bus to allow external control from another I<sup>2</sup>C master.

The Si5356 EVB is shipped with an on-board 25 MHz XTAL to allow stand-alone asynchronous operation. The Si5356 can be synchronized to an external reference using the CLKIN input and selecting the external reference using the ClockBuilder Desktop software.

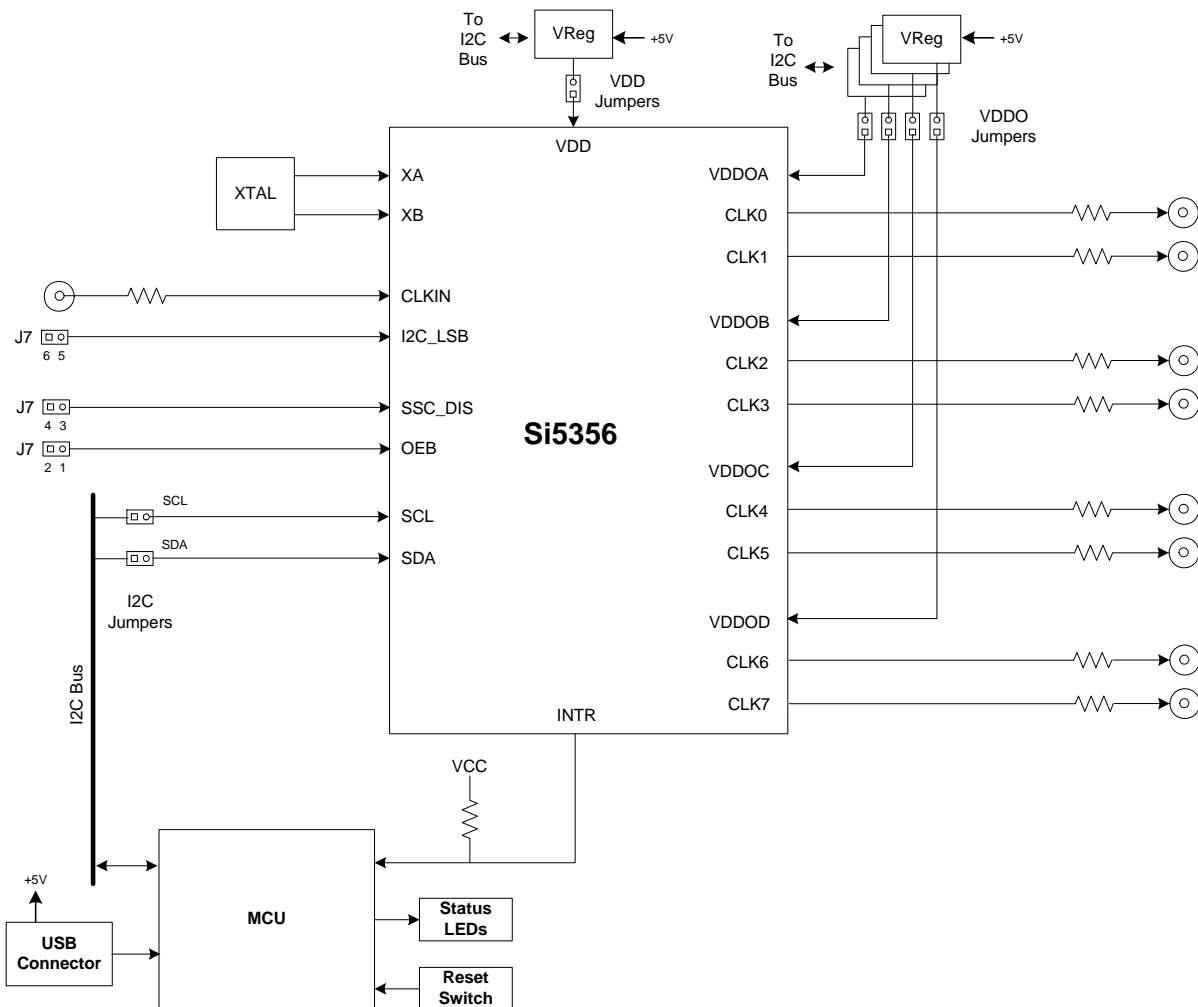


Figure 2. EVB Functional Block Diagram

## 2.1. Status LEDs

There are three status LEDs on the EVB:

- **RDY** (Green) indicates that the EVB is operating as normal. This LED should always be on.
- **BUSY** (Green) lights when there is active communication between the PC, the MCU, and the Si5356.
- **INTR** (Red) indicates the MCU has detected that the interrupt pin of the Si5356 device is enabled. The most probable cause for an interrupt is because the Si5356 has lost its input signal or the PLL has lost lock. The “Status” tab of the GUI will identify the event that caused the interrupt to happen.

## 2.2. Inputs

The Si5356 EVB provides two reference options - using the on-board XTAL or an external reference.

**Note:** Si5356-EVB Rev 1.0 does not support synchronous operation using the CLKIN input. This feature will be supported in future revisions.

### 2.2.1. External Input reference

An SMA connector (CLKIN) is provided to receive an external single-ended CMOS signal. This input is dc-coupled to the device. The signal should have a minimum amount of dc bias to ensure that it never swings below ground level.

### 2.2.2. On-board XTAL

The on-board 25 MHz allows the Si5356 EVB to generate asynchronous clocks. To use this option, select the XTAL input from the Si5356 “ClockBuilder Desktop” software.

## 2.3. Outputs (CLK0-CLK7)

Each of the eight output clocks can be accessed using SMA connectors. The outputs are dc-coupled (no in-line dc blocking capacitors between the output pin and the SMA connector).

## 2.4. Control Pins

Header J7 located on the backside of the Si5356 EVB allows setting three Si5356 control pins: SSC\_DIS, I2C\_LSB, and OEB.

### 2.4.1. SSC\_DIS

This pin allows disabling of the spread spectrum feature on the output clocks. Spread spectrum is disabled when the jumper is installed.

### 2.4.2. I2C\_LSB

This pin is the least significant bit of the Si5356 I<sup>2</sup>C address allowing up to two Si5356 devices to occupy the same I<sup>2</sup>C bus. I<sup>2</sup>C address of the Si5356 = 0x70 when the jumper is installed. I<sup>2</sup>C address of the Si5356 = 0x71 when the jumper is not installed.

### 2.4.3. OEB

This pin allows disabling all output clocks. All outputs are enabled when the jumper is installed.

## 2.5. Voltage Regulators

The Si5356 EVB has five built-in programmable voltage regulators to allow setting of the VDD supply (to 3.3 V, 2.5 V, and 1.8 V) and the four VDDO supplies (to 3.3 V, 2.5 V, and 1.8 V). The voltage level on each of these supplies can be set independently.

## 2.6. Reset Switch

A reset switch is provided to reset communication between the PC and Si5356 EVB.

## 3. ClockBuilder Desktop Software Installation

The following sections describe how to install and begin using the software. There is also a readme.txt file with the installation files as well as a user guide installed with the software.

### 3.1. System Requirements

- Microsoft Windows 2000 or Windows XP
- USB 2.0
- 2 MB of free hard drive space
- 1024 x 768 screen resolution or greater
- Microsoft .NET Framework 1.1
- USBXpress 3.1.1 driver

**Note:** USBXpress 3.1.1 driver is provided and installed with the software. Newer or older versions of USBXpress available from other EVB kits or online have not been tested with this software.

### 3.2. Microsoft .NET Framework Installation

The Microsoft .NET Framework is required before installing and running the software. Details and installation information about the .NET Framework are available via a shortcut in the NETFramework directory or at the following web site:

<http://www.microsoft.com/downloads/details.aspx?FamilyId=262D25E3-F589-4842-8157-034D1E7CF3A3&displaylang=en>

There are multiple versions of the .NET Framework available from Microsoft, and they can be installed side-by-side on the same computer. The software requires version 1.1. Contact your system administrator for more details.

### 3.3. ClockBuilder Desktop Software Installation

The ClockBuilder Desktop Software is installed from the ClockBuilderDesktopSwInstall.exe file.

1. Double-click the install file to start the wizard.
2. Follow the wizard instructions to complete the installation for both the software and the driver. Use the default installation location for best results.
3. After the installation is complete, click on **Start** → **Programs** → **Silicon Laboratories** → **ClockBuilder Desktop Software**. Select one of the items in the menu including the User Guide to get more details on how to run the software.

## 3.4. ClockBuilder Desktop Software Uninstall Instructions

Close all the programs and help files before running the uninstaller to ensure complete removal of the software. The driver software must be uninstalled separately. See “3.6. USBXpress Driver Installation” for details. To uninstall the software, use the Add and Remove Programs utility in the Control Panel, as shown in Figure 3.

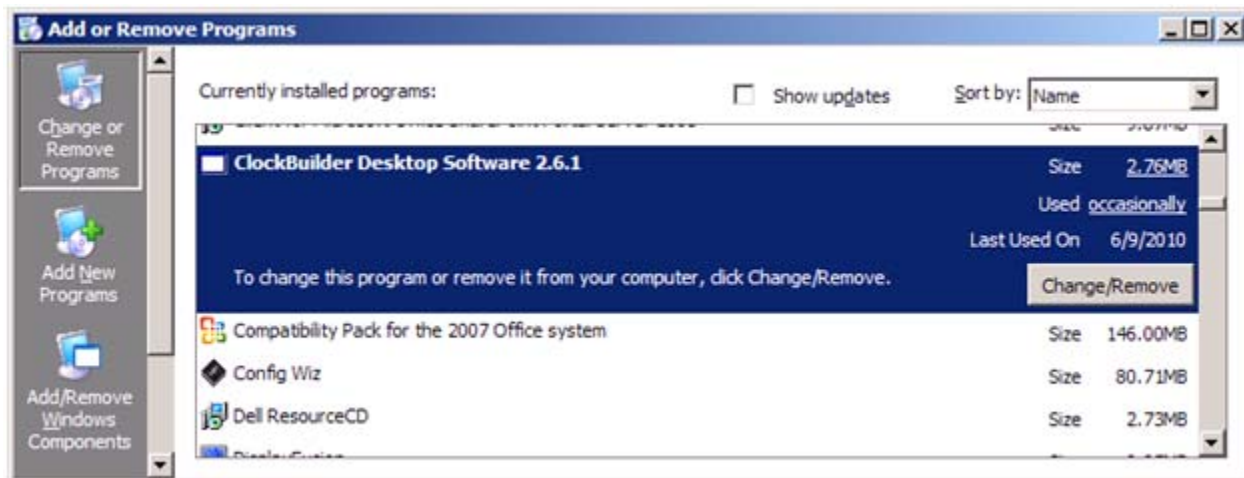


Figure 3. Uninstall in Add and Remove Programs

# Si5356-EVB

## 3.5. ClockBuilder Desktop Software Description

There are several programs to control the Si5356 device. These are available by clicking **Start** → **Programs** → **Silicon Laboratories** → **ClockBuilder Desktop Software X.X**, where X.X is the software version number. There is a detailed user guide accessible here and in the **Help** → **Help Menu** option of the software.

**Table 1. Programs**

Program	Description
ClockBuilder Desktop	This automatically programs the necessary registers based on the customer's desired frequency plan for the Si5356 device.
Bit Field Programmer	This utility provides access to each bit field in the register map of the device; no masking and shifting is required to decode each setting or control in the register map.
Register Programmer	This provides low-level control of the device with individual 8-bit register accesses.

## 3.6. USBXpress Driver Installation

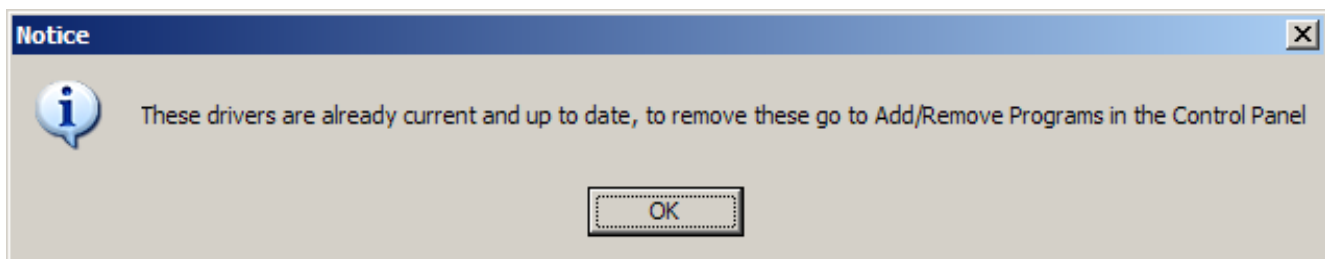
The EVB uses the Silicon Laboratories' USBXpress driver to allow the EVB to communicate with the computer via USB.

The driver is installed after the EVB software is installed. Click **Install** to run the driver installation. Clicking **Cancel** will not install any files, and the EVB will not work with the software.



**Figure 4. Driver Installer Dialog**

**Note:** If the driver has already been installed on the computer before, it will not be reinstalled, and a message box will appear as shown in Figure 5.



**Figure 5. Driver Already Installed**

The installer will copy the necessary driver files and update the operating system. However, for every different EVB connected to the same computer, the hardware installation wizard will run to associate this driver with the new EVB. Let the wizard run with its default settings. Figure 6 shows a successful driver installation.

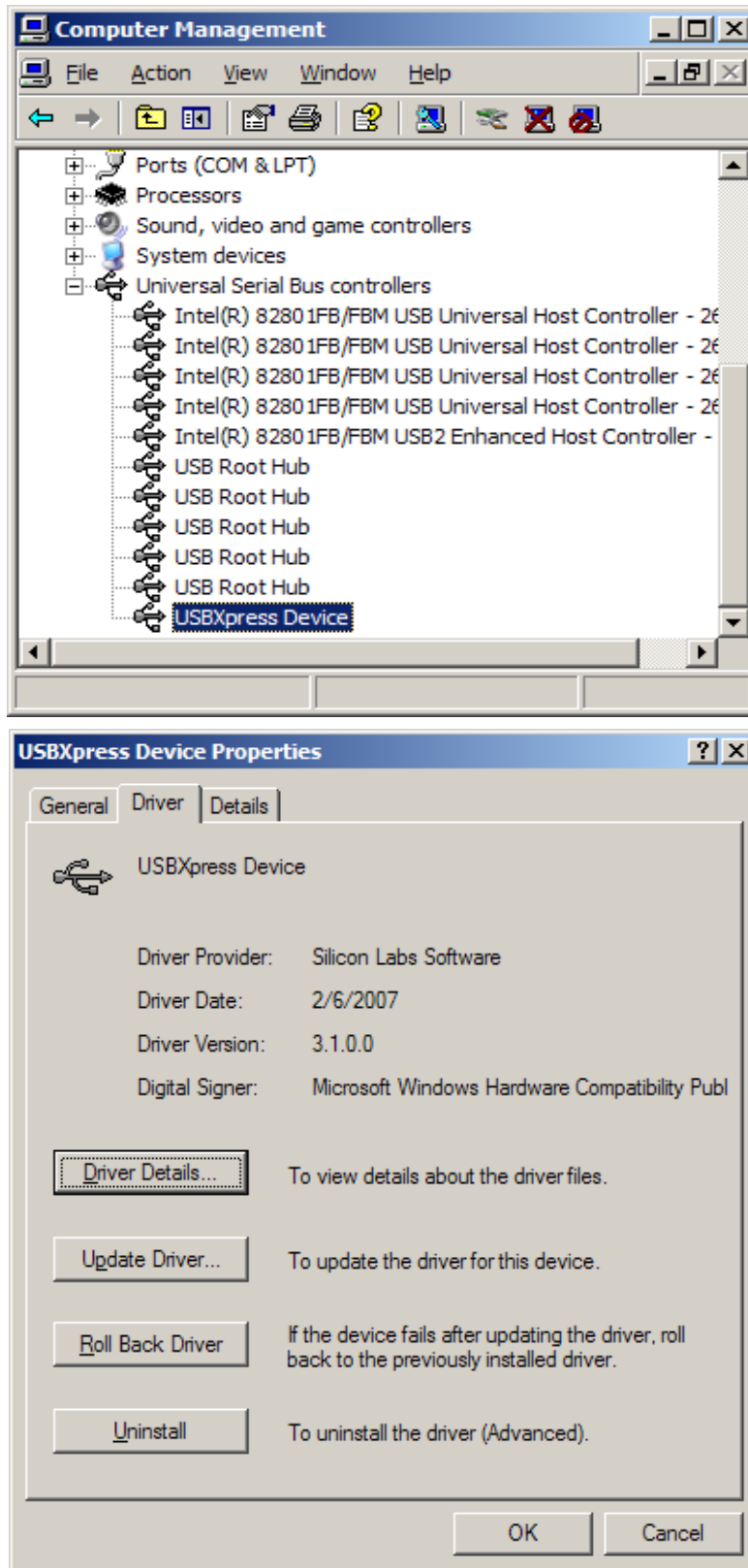
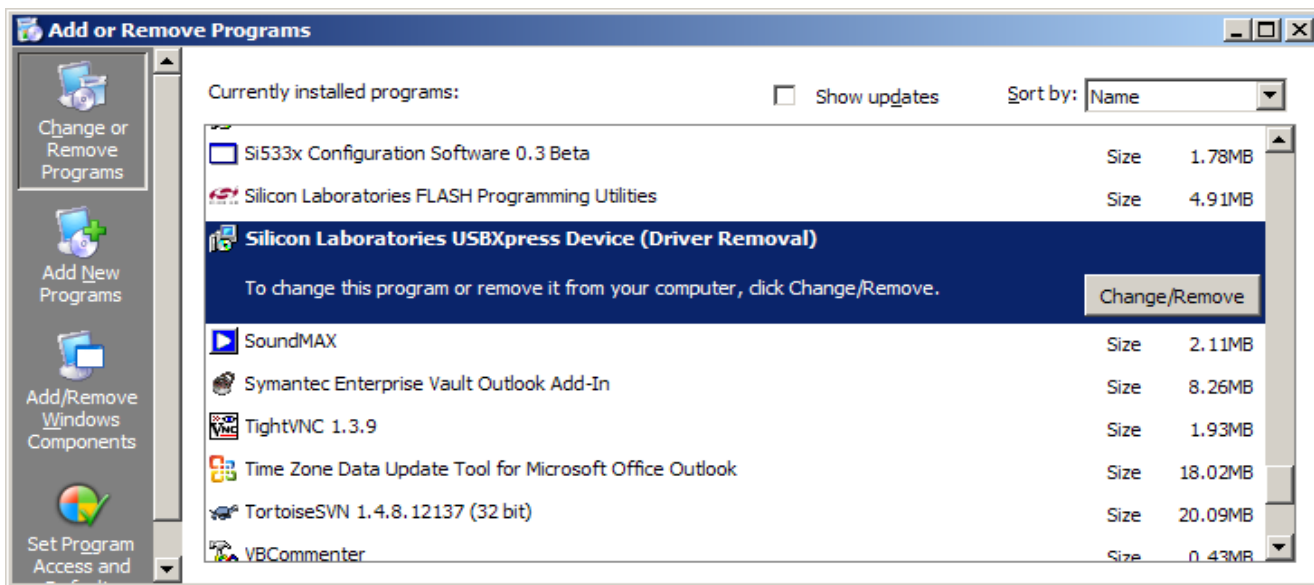


Figure 6. Successful Driver Installation



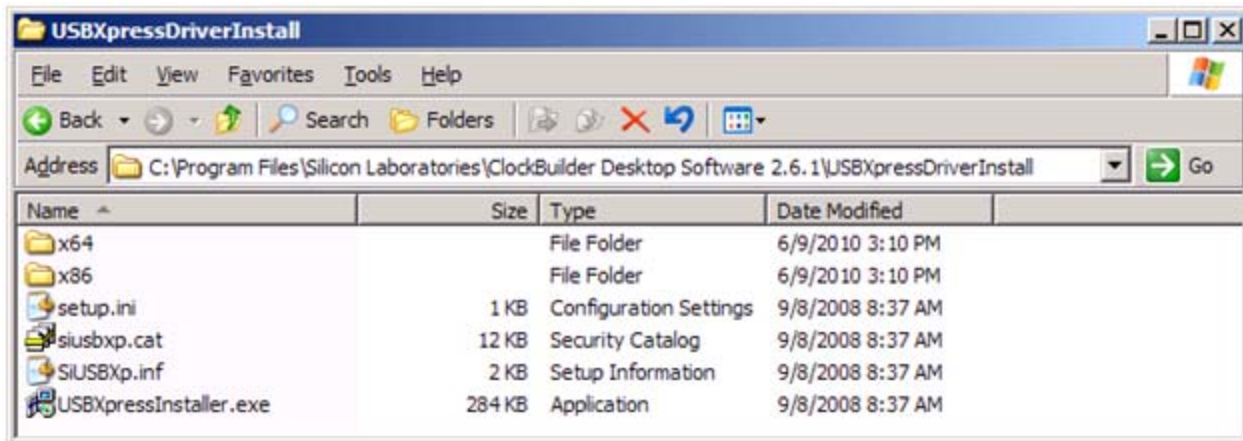
# Si5356-EVB

The USBXpress driver may be removed via the Add and Remove Programs utility in the Control Panel. Locate the entry called Silicon Laboratories USBXpress Device. Click the button, and it should show the version and location of what it will remove.



**Figure 7. Driver Uninstall Location**

The USBXpress installation files are located with the ClockBuilder Desktop Software. The driver files for the EVB may be reinstalled from this location or by running the install software.



**Figure 8. Driver Installation Files**



4. Si5356-EVB Schematics

Si5356

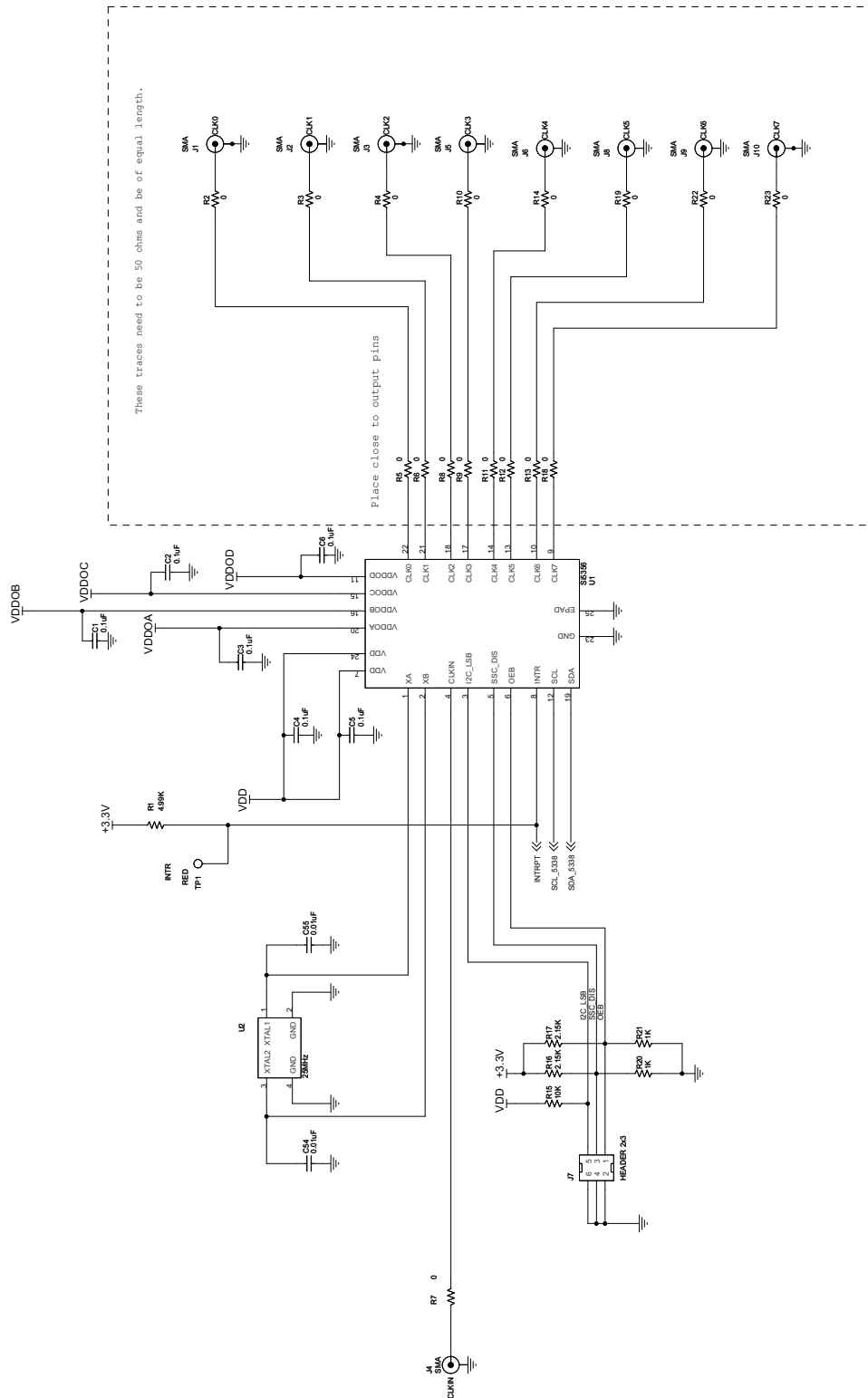


Figure 9. Si5356-EVB Schematic

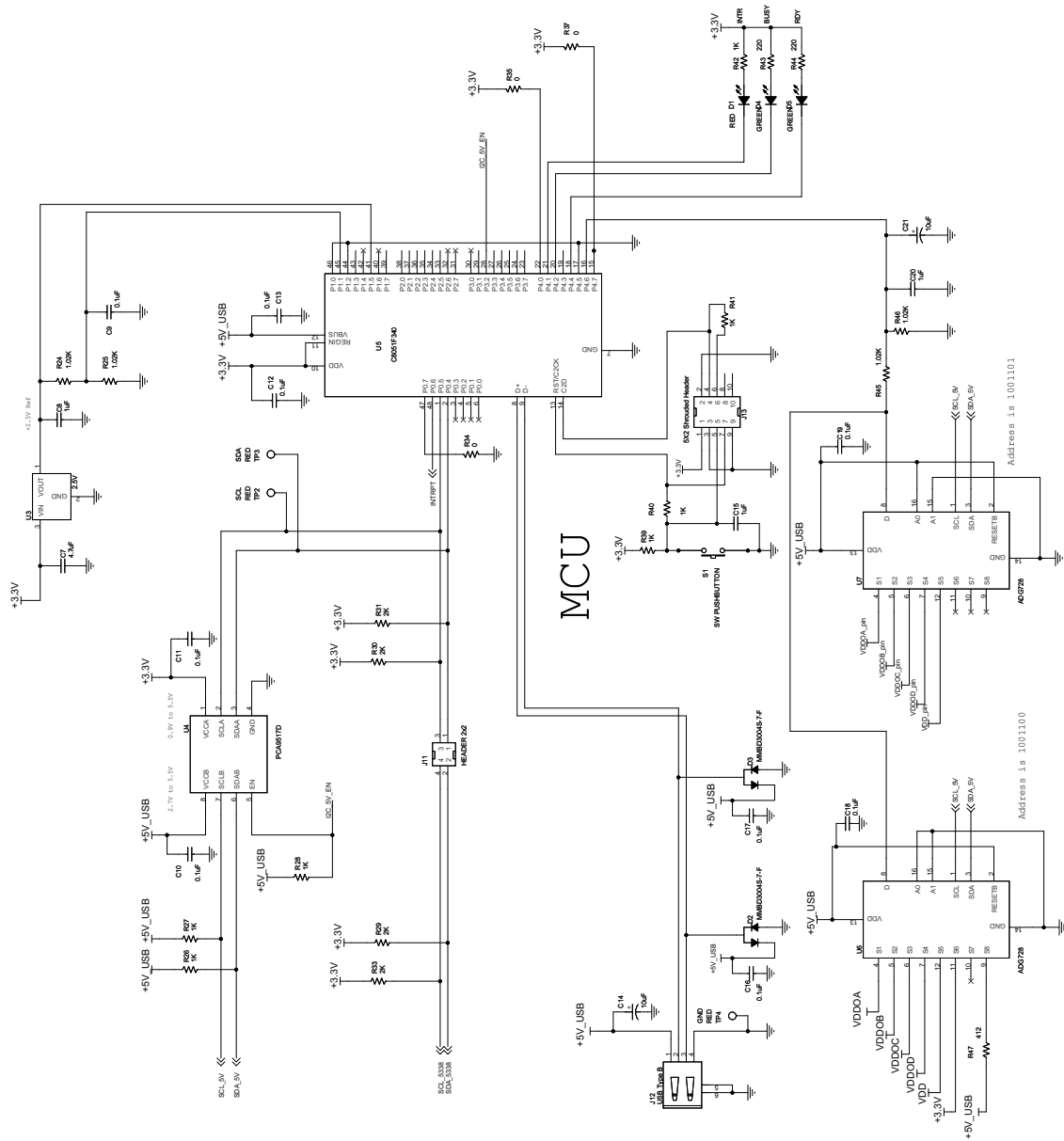
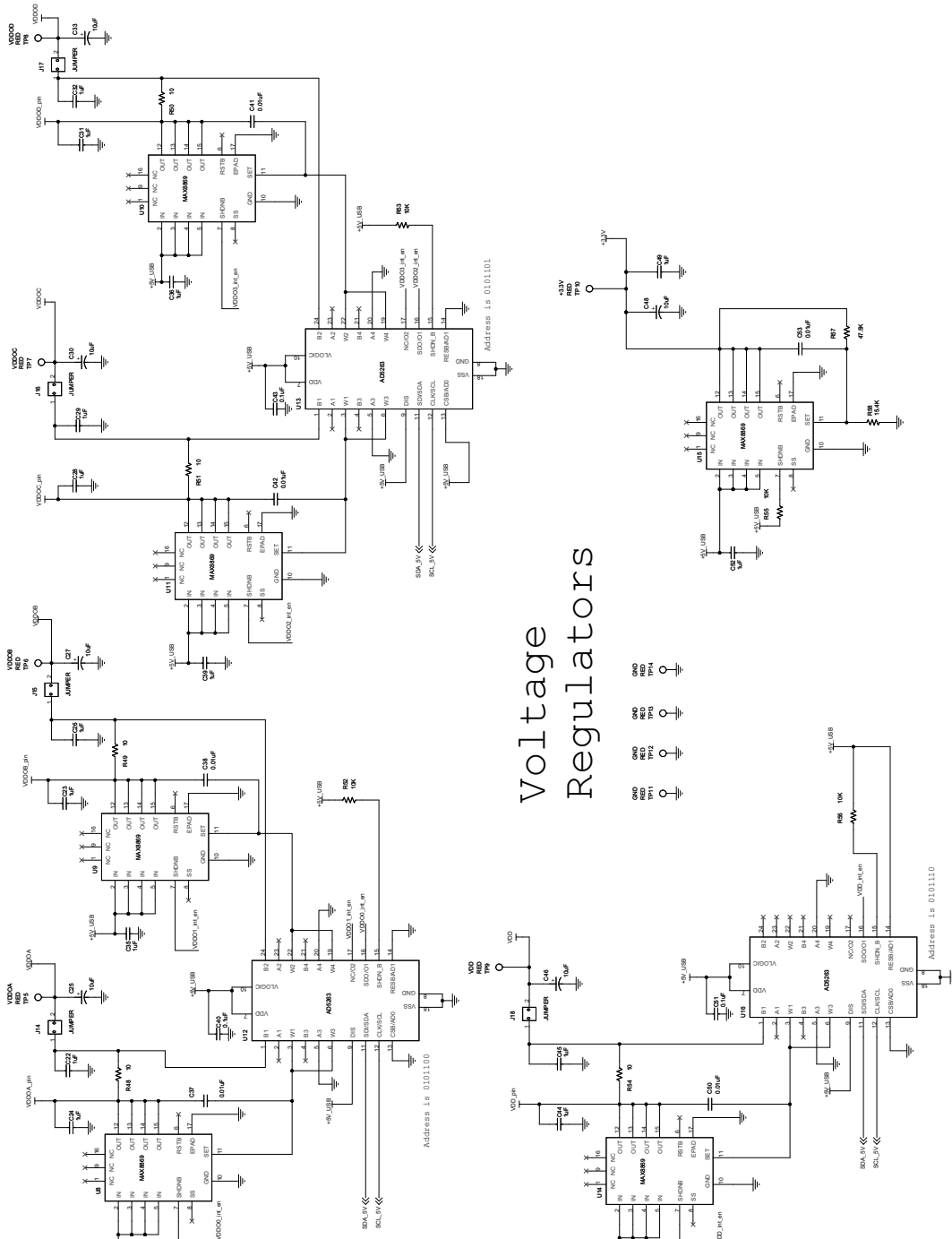


Figure 10. Si5356-EVB MCU Schematic



## Voltage Regulators

Figure 11. Si5356-EVB Voltage Regulators Schematic

# Si5356-EVB

## 5. Si5356-EVB Bill of Materials

Table 2. Si5356-EVB Bill of Materials

Item	Qty	Reference	Value	Voltage	Tol	PCB Footprint	Mfr	Mfr Part Number
1	18	C1,C2,C3,C4, C5,C6,C9,C10, C11,C12,C13, C16,C17,C18, C19,C40,C43, C51	0.1 $\mu$ F	10 V	$\pm$ 10%	C0402	Venkel	C0402X7R100-104K
2	1	C7	4.7 $\mu$ F	10 V	$\pm$ 20%	C1206	Venkel	C1206X7R100-475M
3	3	C8,C15,C20	1 $\mu$ F	25 V	$\pm$ 10%	C1206	Venkel	C1206X7R250-105K
4	7	C14,C25,C27, C30,C33,C46, C48	10 $\mu$ F	25 V	$\pm$ 20%	6032_EIAC	Kemet	B45196H5106M309
5	17	C22,C23,C24, C26,C28,C29, C31,C32,C34, C35,C36,C39, C44,C45,C47, C49,C52	1 $\mu$ F	10 V	$\pm$ 10%	C0603	Venkel	C0603X7R100-105K
6	6	C37,C38,C41, C42,C50,C53	0.01 $\mu$ F	10 V	$\pm$ 20%	C0402	Venkel	C0402X7R100-103M
7	1	D1	RED			LED-S-GW-KA	Panasonic	LN1271RAL
8	2	D2,D3	MMBD3004S-7-F	300 V		SOT23-AKC	Diodes Inc.	MMBD3004S-7-F
9	2	D4,D5	GREEN			LED-S-GW-AK	Panasonic	LN1371G
10	8	J1,J2,J3,J5,J6, J8,J9,J10	SMA			SMA-EDGE-5	Johnson Components	142-0701-801
11	1	J7	HEADER 2x3			CONN2X3	Samtec	TSW-103-07-T-D
12	1	J11	HEADER 2x2			CONN2X2	Samtec	TSW-102-07-T-D
13	1	J12	USB Type B			CONN-USB-B	Tyco	292304-1
14	1	J13	5X2 Shrouded Header			CONN2X5-4W	Tyco	5103309-1
15	5	J14,J15,J16, J17,J18	JUMPER			CONN-1X2	Samtec	TSW-102-07-T-S
16	1	R1	4.99 k $\Omega$		$\pm$ 1%	R0402	Venkel	CR0402-16W-4991F
17	19	R2,R3,R4,R5, R6,R8,R9,R10, R11,R12,R13, R14,R18,R19, R22,R23,R34, R35,R37	0 $\Omega$			R0402	Venkel	CR0402-16W-000
18	1	R15	10 k $\Omega$		$\pm$ 1%	R0603	Venkel	CR0603-10W-1002F
19	2	R16,R17	2.21 k $\Omega$		$\pm$ 1%	R0603	Venkel	CR0603-10W-2211F

Table 2. Si5356-EVB Bill of Materials (Continued)

Item	Qty	Reference	Value	Voltage	Tol	PCB Footprint	Mfr	Mfr Part Number
20	2	R20,R21	1 k $\Omega$		$\pm 1\%$	R0603	Venkel	CR0603-10W-1001F
21	4	R24,R25,R45, R46	1.02 k $\Omega$		$\pm 0.1\%$	R0402	Venkel	TFCR0402-16W-E-1021B
22	7	R26,R27,R28, R39,R40,R41, R42	1 k $\Omega$		$\pm 5\%$	R0402	Venkel	CR0402-16W-102J
23	4	R29,R30,R31, R33	2 k $\Omega$		$\pm 1\%$	R0402	Venkel	CR0402-16W-2001F
24	2	R43,R44	220 $\Omega$		$\pm 5\%$	R0402	Venkel	CR0402-16W-221J
25	1	R47	412 $\Omega$		$\pm 1\%$	R0402	Venkel	CR0402-16W-4120F
26	5	R48,R49,R50, R51,R54	10 $\Omega$		$\pm 0.5\%$	R2512	Venkel	CR2512-2W-10R0D
27	4	R52,R53,R55, R56	10 k $\Omega$		$\pm 5\%$	R0402	Venkel	CR0402-16W-103J
28	1	R57	47.5 k $\Omega$		$\pm 1\%$	R0603	Venkel	CR0603-10W-4752F
29	1	R58	15.4 k $\Omega$		$\pm 1\%$	R0603	Venkel	CR0603-10W-1542F
30	1	S1	SW PUSHBUTTON	12 Vdc		SW-PB-MOM	Mountain Switch	101-0161-EV
31	1	TP4	Black			TESTPOINT	Kobiconn	151-203-RC
32	1	U1	Si5356	3.3 V		QFN24N4X4P0 .5	SiLabs	Si5356-A-A-GM
33	1	U2	25 MHz			XTAL4N3.2X2. 5-FA238	Epson	FA-238 25.0000MB
34	1	U3	2.5 V			SOT-23	Analog Devices	AD1582BRT
35	1	U4	PCA9517D			SO8N6.0P1.27	NXP	PCA9517D
36	1	U5	C8051F340	5.5 V		QFP48N9X9P0 .5	SiLabs	C8051F340-GQ
37	2	U6,U7	ADG728	2.7– 5.5 V		TSSOP16N6.4 P0.65	Analog Devices	ADG728BRUZ
38	6	U8,U9,U10, U11,U14,U15	MAX8869			TSSOP16N6.5 P0.65E	Maxim	MAX8869EUE50
39	3	U12,U13,U16	AD5263			TSSOP24N6.4 P0.65	Analog Devices	AD5263BRUZ20
40	4						SPC Technology	2397
41	4						Richco	NSS-4-4-01
42	10	Jumpers					Sullins	SPC02SYAN
43	1	C21	10 $\mu$ F	25 V	$\pm 20\%$	6032_EIAC	Kemet	B45196H5106M309

# Si5356-EVB

---

**Table 2. Si5356-EVB Bill of Materials (Continued)**

Item	Qty	Reference	Value	Voltage	Tol	PCB Footprint	Mfr	Mfr Part Number
44	1	J4	SMA			SMA-EDGE-5	Johnson Components	142-0701-801
45	1	R7	0			R0402	Venkel	CR0402-16W-000
46	13	TP1,TP2,TP3, TP5,TP6,TP7, TP8,TP9,TP10, TP11,TP12, TP13,TP14	RED			TESTPOINT	Kobiconn	151-207-RC

## DOCUMENT CHANGE LIST

### Revision 0.1 to Revision 0.2

- Changed “Any Rate Clock Generator” to “ClockBuilder Desktop” throughout.
- Changed “MultiSynth Clock Programmer” to “ClockBuilder Desktop” throughout.
- Updated Figure 3 on page 5.
- Removed “Uninstaller Option” figure.
- Updated Figure 8 on page 8.





## ClockBuilder Pro

One-click access to Timing tools, documentation, software, source code libraries & more. Available for Windows and iOS (CBGo only).

[www.silabs.com/CBPro](http://www.silabs.com/CBPro)



**Timing Portfolio**  
[www.silabs.com/timing](http://www.silabs.com/timing)



**SW/HW**  
[www.silabs.com/CBPro](http://www.silabs.com/CBPro)



**Quality**  
[www.silabs.com/quality](http://www.silabs.com/quality)



**Support and Community**  
[community.silabs.com](http://community.silabs.com)

### Disclaimer

Silicon Laboratories intends to provide customers with the latest, accurate, and in-depth documentation of all peripherals and modules available for system and software implementers using or intending to use the Silicon Laboratories products. Characterization data, available modules and peripherals, memory sizes and memory addresses refer to each specific device, and "Typical" parameters provided can and do vary in different applications. Application examples described herein are for illustrative purposes only. Silicon Laboratories reserves the right to make changes without further notice and limitation to product information, specifications, and descriptions herein, and does not give warranties as to the accuracy or completeness of the included information. Silicon Laboratories shall have no liability for the consequences of use of the information supplied herein. This document does not imply or express copyright licenses granted hereunder to design or fabricate any integrated circuits. The products must not be used within any Life Support System without the specific written consent of Silicon Laboratories. A "Life Support System" is any product or system intended to support or sustain life and/or health, which, if it fails, can be reasonably expected to result in significant personal injury or death. Silicon Laboratories products are generally not intended for military applications. Silicon Laboratories products shall under no circumstances be used in weapons of mass destruction including (but not limited to) nuclear, biological or chemical weapons, or missiles capable of delivering such weapons.

### Trademark Information

Silicon Laboratories Inc., Silicon Laboratories, Silicon Labs, SiLabs and the Silicon Labs logo, CMEMS®, EFM, EFM32, EFR, Energy Micro, Energy Micro logo and combinations thereof, "the world's most energy friendly microcontrollers", Ember®, EZLink®, EZMac®, EZRadio®, EZRadioPRO®, DSPLL®, ISOmodem®, Precision32®, ProSLIC®, SiPHY®, USBXpress® and others are trademarks or registered trademarks of Silicon Laboratories Inc. ARM, CORTEX, Cortex-M3 and THUMB are trademarks or registered trademarks of ARM Holdings. Keil is a registered trademark of ARM Limited. All other products or brand names mentioned herein are trademarks of their respective holders.



Silicon Laboratories Inc.  
400 West Cesar Chavez  
Austin, TX 78701  
USA

<http://www.silabs.com>