

Tip Jacks

Insulated Standard: Rib-Loc[®] Type

SPECIFICATIONS

Contact: Brass body per QQ-B-626D with wrap around beryllium copper spring per QQ-C-553

Finish: Silver

Body: Nylon 6/6 per ASTM D4066

Panel Thickness: Up to .375 (9.05)

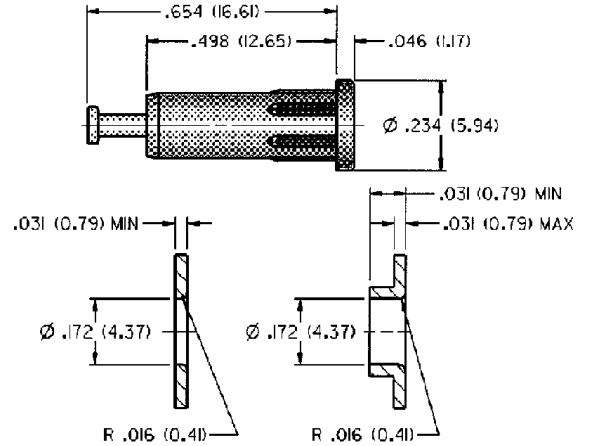
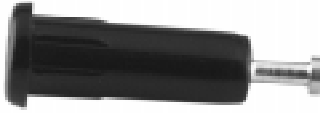
RATINGS

Current: 5 amps

Breakdown Voltage: 3500 Vrms minimum †

Contact Resistance: 0.005 ohms maximum

Adjacent Jack C: 1 pF nominal



MOUNTING HOLE OPTIONS

SILVER PLATING	
105-1042-001	Red

For Standard Tip Plug: .080 (2.00) Diameter

FEATURES:

- Machined contact with turret terminal
- Installs by pressing into mounting hole, no mounting hardware required
- Closed entry blocks access or probes greater than .085 (2.16)
- Nylon UL approved for self extinguishing