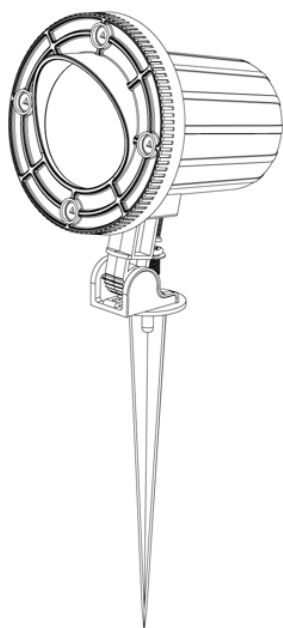


# GL-100RG, GL-200RG & GL-100RGB

IP65 GARDEN LASERS

Item refs: 152.771UK, 152.772UK & 152.773UK

User Manual



Please read through this manual thoroughly before use, any damage caused by misuse of the product will not be covered by the warranty.



**WARNING** This item contains laser radiation, no user serviceable/repairable parts within. Please refer to licensed electrician to perform any required repair or maintenance. Please strictly following the laser health and safety guidelines HSG95.



For detailed information regarding HSG95 please see link <http://www.hse.gov.uk/pubns/books/hsg95.htm>



Please do not open the cover, contains high voltage.  
This product is not serviceable or repairable by the end user.  
Please refer to qualified personnel for service and repair.



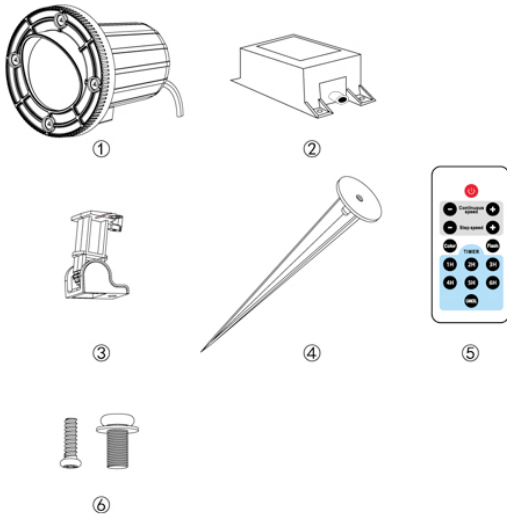
## Laser Safety Warnings

1. Avoid direct eye contact with the laser light. Never intentionally shine the laser beam in your eyes or the eyes of any others. It can potentially cause instant injury or blindness.
2. Do not open laser housing under any circumstances.
3. Do not point onto any on-coming pedestrians, vehicles or traffic routes from land, sea or air.
4. Laser should not be projected at or within the flight path of an aircraft. If your intended surface is within 10 nautical miles of an airport, lower the angle so that no lasers point to the sky.
5. Children should be supervised to ensure they do not play with the unit. It is not a toy.

## Electric Safety Instructions: When using electrical products, basic precautions should always be practiced

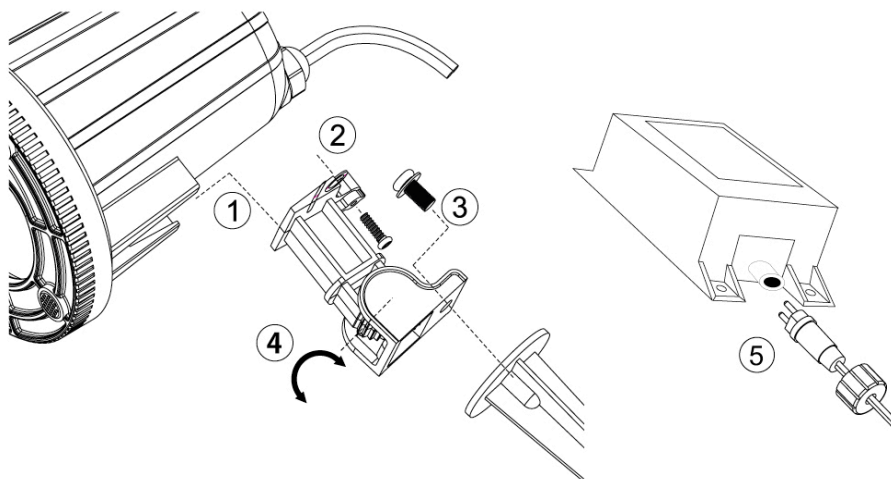
1. Read and follow all instructions.
2. Only qualified personnel can carry out the electrical installation work in accordance with all applicable codes and standards including fire rated constructions.
3. For direct plug-in power, do not install or use within 3m (10ft) of a pool. Do not use in a bathroom.
4. Do not use with a damaged plug.
5. Do not disassemble the adaptor, risk of electric shock or fire.

## Components



1. Laser Projection Unit
2. AC Power Adaptor
3. Angle adjustment bracket
4. Ground spike
5. Remote control
6. Screws x2

## Instructions for Assembly and Use



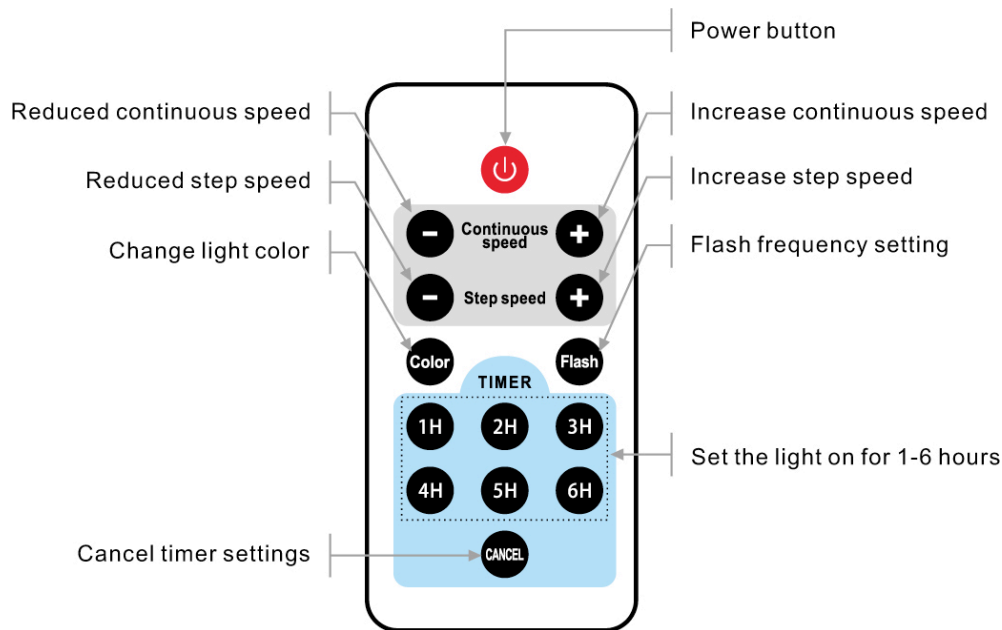
1. Remove all components from packaging saving the packaging for storing the garden laser when not in use.
2. Choose the intended surface where the laser light will project. Determine the location of the unit for installation and ensure it is free from any visual obstructions.
3. Push the spike into the ground (depending on the firmness of the ground, you may need to use a mallet to insert the spike completely. Do not use your foot!)
4. Attach the angle adjustment bracket to the bottom of the laser as shown above (1).
5. Use the correct screw to fix bracket (2).
6. Screw angle adjustment bracket to the ground spike using the correct screw (3).
7. Adjust the angle of the laser head (4).
8. Attach the 2 pin lead to the AC power adaptor. This will only go in one-way, do not force (5). Once the 2 pin lead has been fully inserted, screw the cap into place to ensure a weatherproof seal.
9. Plug the AC adaptor into the mains to start the laser light.
10. With great care and avoiding looking directly at the laser adjust the angle to the required position. Tighten all screws if required.

## Remote Control Instructions:

The remote has an effective range of 15 metres (50 feet). This will be reduced if there are obstacles around the unit. Only the speed settings of the laser unit will be saved if you disconnect the unit from the mains or switch off via the power button on the remote.

All settings will be saved automatically if you are using the timer settings to switch off the unit. It will start up on the same program as when the timer which the unit off.

Look after your remote, it's the only way you have of adjusting your laser unit!



1. **Power button** – Start or Stop the laser on a temporary basis. If the unit is to be out of use for a long time, unplug the AC adaptor from the mains.
2. **Continuous Speed** – 6 different rotational speeds available (including static).
3. **Step Speed** – 6 different speed/step settings.
4. **Colour** – Select a single colour or a combination of colours.
5. **Flash** – 3 settings.
6. **Timer** – The timer will automatically switch off after the duration selected. The unit will automatically switch on at the same time the following day. E.G. If you get you set the timer at 5pm for 6 hours, the laser will switch off at 11pm and switch on again at 5pm the following day.
7. **Cancel** – You can cancel the timer setting so the laser unit can be switched on/off manually.

**Activating the remote** – A CR2025 battery is already in your remote control unit. Remove the plastic insulation tab. This will enable the remote to work. If the remote isn't going to be used for a long period of time, it is an idea to re-insert the plastic tab to save battery life.

## Helpful Hints

- Do not use with dimmers.
- For an extended lifetime, let the unit cool down for 30 mins every 6 hours.
- Operating temperature are between -20°C and 35°C. There may be delay if the temperature is below freezing. A warm up period of up to 5 mins may be required.
- The laser will look brightest in the dark and dimmer when competing with another light source.

## Specifications

Power supply	100-240Vac, 50/60Hz
IP rating	IP65
Warm up time	2 - 5 minutes
Laser class	3R
Mains lead length	5m
Operating temperature	-20 to 35°C
Dimensions	100 x 100 x 130mm
Weight	1kg
Laser safety standard	BSEN62471:2008

Model	GL-100RG	GL-200RG	GL-100RGB
Item ref	152.771UK	152.772UK	152.773UK
Power output	12Vdc, 500mA	12Vdc, 500mA	12Vdc, 1A
Power consumption	5W	6W	8W
Red laser power	120mW 650nm	120mW 650nm	120mW 650nm
Green laser power	30mW 532nm	30mW 532nm	30mW 532nm
Blue laser power	N/A	N/A	100mW 450nm



This product is classed as Electrical or Electronic equipment and should not be disposed with other household or commercial waste at the end of its useful life. The goods must be disposed of according to your local council guidelines.