

**PLEASE CHECK WWW.MOLEX.COM FOR LATEST PART INFORMATION**

**Part Number:** [0446610001](#)  
**Status:** **Active**  
**Overview:** [Modular Jacks and Plugs](#)  
**Description:** [Modular Jack, Right Angle, Low Profile, 8/8](#)

**Documents:**

<a href="#">3D Model</a>	<a href="#">Product Specification TS-44560-003-001 (PDF)</a>
<a href="#">Drawing (PDF)</a>	<a href="#">Packaging Specification PK-44661-004 (PDF)</a>
<a href="#">Product Specification PS-44560-003-001 (PDF)</a>	<a href="#">RoHS Certificate of Compliance (PDF)</a>

**Agency Certification**

CSA	LR19980
UL	E107635

**General**

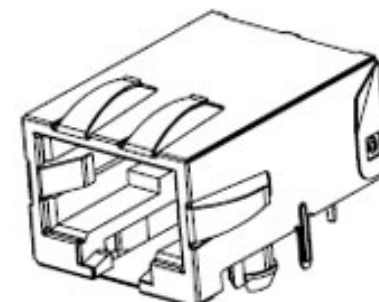
Product Family	Modular Jacks/Plugs
Series	<a href="#">44661</a>
Comments	Enhanced panel grounding tabs
Component Type	PCB Jack
Magnetic	No
Overview	<a href="#">Modular Jacks and Plugs</a>
Performance Category	5, 5e
Power over Ethernet (PoE)	N/A
Product Name	RJ45
UPC	756054373699

**Physical**

Color - Resin	Black
Durability (mating cycles max)	750
Flammability	94V-0
Inverted / Top Latch	No
Jack Height	11.23mm
Lightpipes/LEDs	None
Material - Metal	Brass, Phosphor Bronze
Material - Plating Mating	Gold
Material - Plating Termination	Tin
Material - Resin	High Temperature Thermoplastic
Net Weight	3.519/g
Orientation	Right Angle (Side Entry)
PCB Retention	Yes
PCB Thickness - Recommended	1.60mm
Packaging Type	Tray
Pitch - Mating Interface	1.02mm
Pitch - Termination Interface	1.27mm
Plating min - Mating	1.270µm
Plating min - Termination	2.540µm
Ports	1
Positions / Loaded Contacts	8/8
Surface Mount Compatible (SMC)	Yes
Temperature Range - Operating	-40°C to +85°C
Termination Interface: Style	Through Hole
Wire/Cable Type	N/A

**Electrical**

Current - Maximum per Contact	1.5A
Grounding to Panel	None
Shielded	Yes



*Series image - Reference only*

**EU ELV**

**Not Relevant**

**EU RoHS**

**Compliant**

**REACH SVHC**

Not Contained Per  
-ED/01/2017 (12  
January 2017)

**Halogen-Free**

**Status**

**Not Low-Halogen**

**Need more information on product environmental compliance?**

Email [productcompliance@molex.com](mailto:productcompliance@molex.com)  
Please visit the [Contact Us](#) section for any non-product compliance questions.

China ROHS	Green Image
ELV	Not Relevant
RoHS Phthalates	Not Contained

**Search Parts in this Series**

[44661 Series](#)

**Mates With**

FCC 68 Plugs

Voltage - Maximum 150V

**Solder Process Data**

Duration at Max. Process Temperature (seconds) 005  
Lead-free Process Capability WAVE  
Max. Cycles at Max. Process Temperature 001  
Process Temperature max. C 260

**Material Info**

**Reference - Drawing Numbers**

Packaging Specification PK-44661-004  
Product Specification PS-44560-003-001, TS-44560-003-001  
Sales Drawing SD-44661-001

This document was generated on 02/15/2017

**PLEASE CHECK [WWW.MOLEX.COM](http://WWW.MOLEX.COM) FOR LATEST PART INFORMATION**