

PLEASE CHECK WWW.MOLEX.COM FOR LATEST PART INFORMATION

Part Number: [0945060201](#)
Status: **Active**
Overview: Standard Quick-Disconnect Terminals
Description: Quick Disconnect, Safelock Female for (1.00-2.50mm²) 10-18 AWG Wire, Accepts 6.35 x 0.81mm Tab, Tin

Documents:

[Drawing \(PDF\)](#) [RoHS Certificate of Compliance \(PDF\)](#)
[Product Specification PS-94506-001-001 \(PDF\)](#)

Agency Certification

CSA LR19980
 UL E29179

General

Product Family Quick Disconnects
 Series [94506](#)
 Crimp Quality Equipment Yes
 Insulated No
 Overview [Standard Quick-Disconnect Terminals](#)
 Product Name Safelock
 Type Quick Disconnect
 UPC 800754331425

Physical

Barrel Type Open
 Gender Female
 Glow-Wire Compliant No
 Insulation None
 Lock to Mating Part None
 Material - Metal Brass
 Material - Plating Mating Unplated
 Material - Plating Termination Tin
 Net Weight 0.764/g
 Orientation Straight
 Packaging Type Reel
 Polarized to Mating Part Yes
 Tab Thickness 0.81mm
 Tab Width 6.35mm
 Temperature Range - Operating -40°C to +80°C
 Termination Interface: Style Crimp or Compression
 Wire Size AWG 10, 14, 16, 18, 24
 Wire Size mm² 1.00-2.50

Electrical

Voltage - Maximum 250V

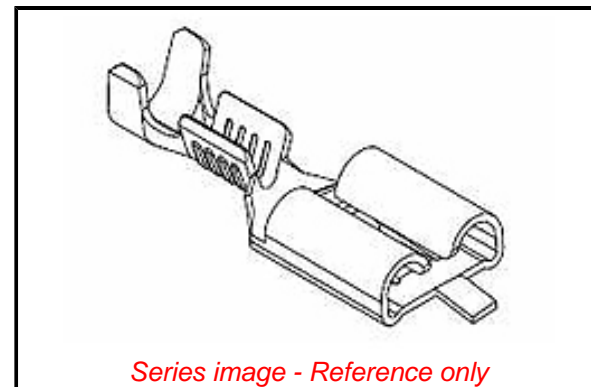
Solder Process Data

Lead-free Process Capability N/A

Material Info

Reference - Drawing Numbers

Product Specification PS-94506-001-001
 Sales Drawing SD-94506-0XXX



EU ELV

Compliant

EU RoHS

Compliant

REACH SVHC

Not Contained Per
 -ED/01/2017 (12
 January 2017)

Halogen-Free

Status

Not Relevant

Need more information on product environmental compliance?

Email productcompliance@molex.com
 Please visit the [Contact Us](#) section for any non-product compliance questions.

China ROHS	Not Relevant
ELV	Compliant
RoHS Phthalates	Not Contained

Search Parts in this Series

[94506 Series](#)

Use With

[94506 Quick Disconnect Housing](#)

Application Tooling | FAQ

Tooling specifications and manuals are found by selecting the products below. Crimp Height Specifications are then contained in the Application Tooling Specification document.

Global

Description	Product #
Mini-Mac™	0638060900
Applicator Rear Feed	

PLEASE CHECK WWW.MOLEX.COM FOR LATEST PART INFORMATION