

**PLEASE CHECK WWW.MOLEX.COM FOR LATEST PART INFORMATION**

**Part Number:** **0190190031**  
**Status:** **Active**  
**Overview:** Standard Quick-Disconnect Terminals  
**Description:** Avikrimp™ Quick Disconnect, Female, for 14-16 (2.00-1.30mm<sup>2</sup>) Wire, Box, Tab 6.35 x 0.81mm

**Documents:**

[Drawing \(PDF\)](#) [Product Specification PS-19902-014-001 \(PDF\)](#)  
[Product Specification PS-19902-011-001 \(PDF\)](#) [RoHS Certificate of Compliance \(PDF\)](#)  
[Product Specification PS-19902-013-001 \(PDF\)](#)

**Agency Certification**

CSA LR18689  
 UL E79133

**General**

Product Family Quick Disconnects  
 Series 19019  
 Crimp Quality Equipment Yes  
 Insulated Partial  
 MolexKits Yes  
 Overview Standard Quick-Disconnect Terminals  
 Product Name Avikrimp™  
 Type Quick Disconnect  
 UPC 800753038226

**Physical**

Barrel Type Closed  
 Color - Resin Blue  
 Flammability 94V-2  
 Gender Female  
 Glow-Wire Compliant No  
 Insulation Nylon (PA)  
 Lock to Mating Part None  
 Material - Metal Brass  
 Material - Plating Mating Tin  
 Material - Plating Termination Tin  
 Net Weight 0.958/g  
 Orientation Straight  
 Packaging Type Bag  
 Polarized to Mating Part No  
 Tab Thickness 0.81mm  
 Tab Width 6.35mm  
 Temperature Range - Operating -65°C to +105°C  
 Wire Insulation Diameter 3.50mm max.  
 Wire Size AWG 14, 16  
 Wire Size mm<sup>2</sup> 1.30-2.00

**Electrical**

Voltage - Maximum 300V

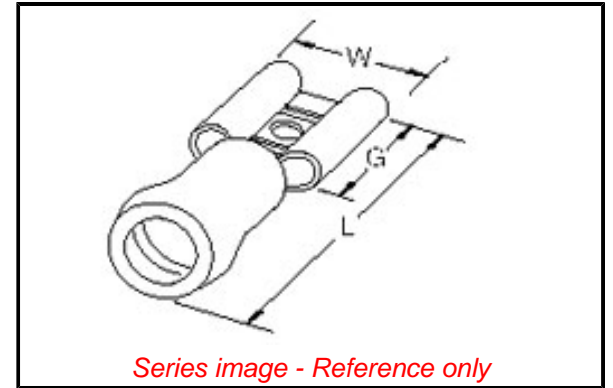
**Solder Process Data**

Lead-freeProcess Capability N/A

**Material Info**

Engineering Number BB-8141

**Reference - Drawing Numbers**



**EU ELV**

**Not Relevant**

**EU RoHS**

**Compliant**

**REACH SVHC**

Not Contained Per  
 -ED/01/2017 (12  
 January 2017)

**Halogen-Free**

**Status**

**Low-Halogen**

**Need more information on product environmental compliance?**

Email [productcompliance@molex.com](mailto:productcompliance@molex.com)  
 Please visit the [Contact Us](#) section for any non-product compliance questions.

China ROHS

ELV

RoHS Phthalates

Green Image

Not Relevant

Not Contained

**Search Parts in this Series**

19019 Series

Product Specification

Sales Drawing

PS-19902-011-001, PS-19902-013-001,  
PS-19902-014-001  
SD-19019-001

This document was generated on 02/16/2017

**PLEASE CHECK [WWW.MOLEX.COM](http://WWW.MOLEX.COM) FOR LATEST PART INFORMATION**