



Is Now Part of



ON Semiconductor®

To learn more about ON Semiconductor, please visit our website at
www.onsemi.com

ON Semiconductor and the ON Semiconductor logo are trademarks of Semiconductor Components Industries, LLC dba ON Semiconductor or its subsidiaries in the United States and/or other countries. ON Semiconductor owns the rights to a number of patents, trademarks, copyrights, trade secrets, and other intellectual property. A listing of ON Semiconductor's product/patent coverage may be accessed at www.onsemi.com/site/pdf/Patent-Marking.pdf. ON Semiconductor reserves the right to make changes without further notice to any products herein. ON Semiconductor makes no warranty, representation or guarantee regarding the suitability of its products for any particular purpose, nor does ON Semiconductor assume any liability arising out of the application or use of any product or circuit, and specifically disclaims any and all liability, including without limitation special, consequential or incidental damages. Buyer is responsible for its products and applications using ON Semiconductor products, including compliance with all laws, regulations and safety requirements or standards, regardless of any support or applications information provided by ON Semiconductor. "Typical" parameters which may be provided in ON Semiconductor data sheets and/or specifications can and do vary in different applications and actual performance may vary over time. All operating parameters, including "Typicals" must be validated for each customer application by customer's technical experts. ON Semiconductor does not convey any license under its patent rights nor the rights of others. ON Semiconductor products are not designed, intended, or authorized for use as a critical component in life support systems or any FDA Class 3 medical devices or medical devices with a same or similar classification in a foreign jurisdiction or any devices intended for implantation in the human body. Should Buyer purchase or use ON Semiconductor products for any such unintended or unauthorized application, Buyer shall indemnify and hold ON Semiconductor and its officers, employees, subsidiaries, affiliates, and distributors harmless against all claims, costs, damages, and expenses, and reasonable attorney fees arising out of, directly or indirectly, any claim of personal injury or death associated with such unintended or unauthorized use, even if such claim alleges that ON Semiconductor was negligent regarding the design or manufacture of the part. ON Semiconductor is an Equal Opportunity/Affirmative Action Employer. This literature is subject to all applicable copyright laws and is not for resale in any manner.



NC7SZ11 TinyLogic® UHS Three-Input AND Gate

Features

- Ultra-High Speed: t_{PD} 2.7 ns (Typical) into 50 pF at 5V V_{CC}
- High Output Drive: ± 24 mA at 3 V V_{CC}
- Broad V_{CC} Operating Range: 1.65 V to 5.5 V
- Power Down High Impedance Inputs/Outputs
- Over-Voltage Tolerance inputs facilitate 5 V to 3 V Translation
- Proprietary Noise/EMI Reduction Circuitry
- Ultra-Small MicroPak™ Packages
- Space-Saving SC70 Package

Description

The NC7SZ11 is a single three-input AND Gate from Fairchild's Ultra-High Speed Series of TinyLogic®. The device is fabricated with advanced CMOS technology to achieve ultra-high speed with high output drive while maintaining low static power dissipation over a broad V_{CC} operating range. The device is specified to operate over the 1.65 V to 5.5 V V_{CC} operating range. The inputs and output are high impedance when V_{CC} is 0 V. Inputs tolerate voltages up to 7 V, independent of V_{CC} operating voltage.

Ordering Information

| Part Number | Top Mark | Package | Packing Method |
|-------------|----------|--|---------------------------|
| NC7SZ11P6X | Z11 | 6-Lead SC70, EIAJ SC-88a, 1.25 mm Wide | 3000 Units on Tape & Reel |
| NC7SZ11L6X | E7 | 6-Lead MicroPak™, 1.00 mm Wide | 5000 Units on Tape & Reel |

Connection Diagrams

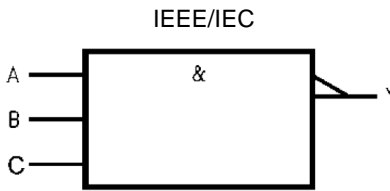
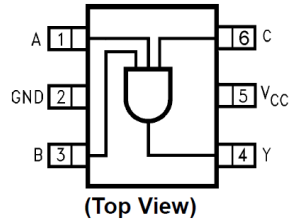
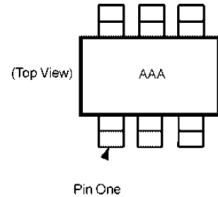


Figure 1. Logic Symbol

Pin Configurations



Pin One Orientation Diagram



AAA represents Product Code Top Mark - see ordering code.

Note: Orientation of Top Mark determines Pin One location. Read the Top Product Code Mark left to right, Pin One is the lower left pin (see diagram)

Figure 2. SC70 (Top View)

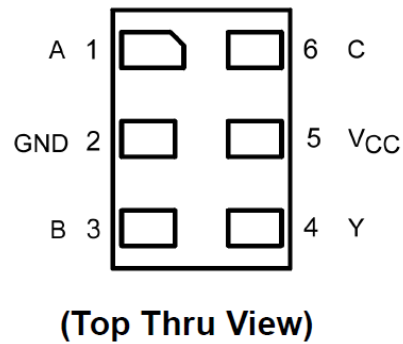


Figure 3. MicroPak (Top Through View)

Pin Definitions

| Pin # SC70 | Pin # MicroPak | Name | Description |
|------------|----------------|-----------------|----------------|
| 1 | 1 | A | Input |
| 2 | 2 | GND | Ground |
| 3 | 3 | B | Input |
| 4 | 4 | Y | Output |
| 5 | 5 | V _{CC} | Supply Voltage |
| 6 | 6 | C | Input |

Function Table

Y=ABC

| Inputs | | | Output |
|--------|---|---|--------|
| A | B | C | Y |
| X | X | L | L |
| X | L | X | L |
| L | X | X | L |
| H | H | H | H |

H = HIGH Logic Level

L = LOW Logic Level

X = Either LOW or HIGH Logic Level

Absolute Maximum Ratings

Stresses exceeding the absolute maximum ratings may damage the device. The device may not function or be operable above the recommended operating conditions and stressing the parts to these levels is not recommended. In addition, extended exposure to stresses above the recommended operating conditions may affect device reliability. The absolute maximum ratings are stress ratings only.

| Symbol | Parameter | | Min. | Max. | Unit |
|-------------------------------------|---|--|------|------|------|
| V _{CC} | Supply Voltage | | -0.5 | 7.0 | V |
| V _{IN} | DC Input Voltage | | -0.5 | 7.0 | V |
| V _{OUT} | DC Output Voltage | | -0.5 | 7.0 | V |
| I _{IK} | DC Input Diode Current | V _{IN} < -0.5 V | | -50 | mA |
| I _{OK} | DC Output Diode Current | V _{OUT} < -0.5 V | | -50 | mA |
| | | V _{OUT} > 6 V, V _{CC} =GND | | +20 | |
| I _{OUT} | DC Output Current | | | ±50 | mA |
| I _{CC} OR I _{GND} | DC V _{CC} OR Ground Current | | | ±50 | mA |
| T _{STG} | Storage Temperature Range | | -65 | +150 | °C |
| T _J | Junction Temperature Under Bias | | | +150 | °C |
| T _L | Junction Lead Temperature (Soldering, 10 Seconds) | | | +260 | °C |
| P _D | Power Dissipation at +85°C | SC70-6 | | 150 | mW |
| | | MicroPak-6 | | 130 | |
| ESD | Human Body Model, JESD22-A114 | | | 4000 | V |
| | Charged Device Model, JESD22-C101 | | | 2000 | |

Recommended Operating Conditions

The Recommended Operating Conditions table defines the conditions for actual device operation. Recommended operating conditions are specified to ensure optimal performance to the datasheet specifications. Fairchild does not recommend exceeding them or designing to Absolute Maximum Ratings.

| Symbol | Parameter | Conditions | Min. | Max. | Unit |
|---------------------------------|-------------------------------|---|------|-----------------|------|
| V _{CC} | Supply Voltage Operating | | 1.65 | 5.50 | V |
| | Supply Voltage Data Retention | | 1.50 | 5.50 | |
| V _{IN} | Input Voltage | | 0 | 5.5 | V |
| V _{OUT} | Output Voltage | | 0 | V _{CC} | V |
| T _A | Operating Temperature | | -40 | +85 | °C |
| t _r , t _f | Input Rise and Fall Times | V _{CC} at 1.8 V, 2.5 V ± 0.2 V | 0 | 20 | ns/V |
| | | V _{CC} at 3.3 V ± 0.3 V | 0 | 10 | |
| | | V _{CC} at 5.0 V ± 0.5 V | 0 | 5 | |
| θ _{JA} | Thermal Resistance | SC70-6 | | 425 | °C/W |
| | | MicroPak-6 | | 500 | |

Note:

1. Unused inputs must be held HIGH or LOW. They may not float.

DC Electrical Characteristics

| Symbol | Parameter | V _{CC} | Conditions | T _A =25°C | | | T _A =-40 to +85°C | | Unit |
|------------------|---------------------------|-----------------|---|----------------------|-----------------------------|----------------------|------------------------------|----------------------|------|
| | | | | Min. | Typ. | Max. | Min. | Max. | |
| V _{IH} | HIGH Level Input Voltage | 1.8 ± 0.15 | | 0.75 V _{CC} | | | 0.75 V _{CC} | | V |
| | | 2.30 to 5.50 | | 0.70 V _{CC} | | | 0.70 V _{CC} | | |
| V _{IL} | LOW Level Input Voltage | 1.8 ± 0.15 | | | | 0.25 V _{CC} | | 0.25 V _{CC} | V |
| | | 2.30 to 5.50 | | | | 0.30 V _{CC} | | 0.30 V _{CC} | |
| V _{OH} | HIGH Level Output Voltage | 1.65 | V _{IN} =V _{IH} , I _{OH} =-100 μA | 1.55 | 1.65 | | 1.55 | | V |
| | | 2.30 | | 2.20 | 2.30 | | 2.20 | | |
| | | 3.00 | | 2.90 | 3.00 | | 2.90 | | |
| | | 4.50 | | 4.40 | 4.50 | | 4.40 | | |
| | | 1.65 | I _{OH} =-4 mA | 1.29 | 1.52 | | 1.29 | | |
| | | 2.30 | I _{OH} =-8 mA | 1.90 | 2.15 | | 1.90 | | |
| | | 3.00 | I _{OH} =-16 mA | 2.50 | 2.80 | | 2.40 | | |
| | | 3.00 | I _{OH} =-24 mA | 2.40 | 2.68 | | 2.30 | | |
| | | 4.50 | I _{OH} =-32 mA | 3.90 | 4.20 | | 3.80 | | |
| V _{OL} | LOW Level Output Voltage | 1.65 | V _{IN} =V _{IL} , I _{OL} =100 μA | | 0.00 | 0.10 | | 0.10 | V |
| | | 2.30 | | | 0.00 | 0.10 | | 0.10 | |
| | | 3.00 | | | 0.00 | 0.10 | | 0.10 | |
| | | 4.50 | | | 0.00 | 0.10 | | 0.10 | |
| | | 1.65 | I _{OL} =4 mA | | 0.80 | 0.24 | | 0.24 | |
| | | 2.30 | I _{OL} =8 mA | | 0.10 | 0.30 | | 0.30 | |
| | | 3.00 | I _{OL} =16 mA | | 0.15 | 0.40 | | 0.40 | |
| | | 3.00 | I _{OL} =24 mA | | 0.22 | 0.55 | | 0.55 | |
| | | 4.50 | I _{OL} =32 mA | | 0.22 | 0.55 | | 0.55 | |
| | | I _{IN} | Input Leakage Current | 0 to 5.5 | V _{IN} =5.5 V, GND | | | ±1 | |
| I _{OFF} | Power Off Leakage Current | 0 | V _{IN} or V _{OUT} =5.5 V | | | 1 | | 10 | μA |
| I _{CC} | Quiescent Supply Current | 1.65 to 5.50 | V _{IN} =5.5 V, GND | | | 2 | | 20 | μA |

AC Electrical Characteristics

| Symbol | Parameter | V _{CC} | Conditions | T _A =25°C | | | T _A =-40 to +85°C | | Unit | Figure |
|-------------------------------------|--|-----------------|---|----------------------|------|------|------------------------------|------|------|----------------------|
| | | | | Min. | Typ. | Max. | Min. | Max. | | |
| t _{PLH} , t _{PHL} | Propagation Delay | 1.80 ± 0.15 | C _L =15 pF, R _L =1M Ω | 2.0 | 9.0 | 18.5 | 2.0 | 19.0 | ns | Figure 4 Figure 5 |
| | | 2.50 ± 0.20 | | 0.8 | 4.9 | 10.5 | 0.8 | 11.0 | | |
| | | 3.30 ± 0.30 | | 0.5 | 3.5 | 8.5 | 0.5 | 9.0 | | |
| | | 5.00 ± 0.50 | | 0.5 | 2.5 | 6.5 | 0.5 | 7.0 | | |
| | | 3.30 ± 0.30 | C _L =50 pF, R _L =500 Ω | 1.5 | 4.1 | 8.5 | 1.5 | 9.0 | | |
| | | 5.00 ± 0.50 | | 0.8 | 2.9 | 7.5 | 0.8 | 8.0 | | |
| C _{IN} | Input Capacitance | 0.00 | | | 4 | | | | pF | |
| C _{PD} | Power Dissipation Capacitance ⁽²⁾ | 3.30 | | | 20 | | | | pF | Figure 6 |
| | | 5.00 | | | 25 | | | | | |

Note:

- C_{PD} is defined as the value of the internal equivalent capacitance which is derived from dynamic operating current consumption (I_{CCD}) at no output loading and operating at 50% duty cycle. C_{PD} is related to I_{CCD} dynamic operating current by the expression: I_{CCD}=(C_{PD})(V_{CC})(f_{IN})+(I_{CCStatic}).

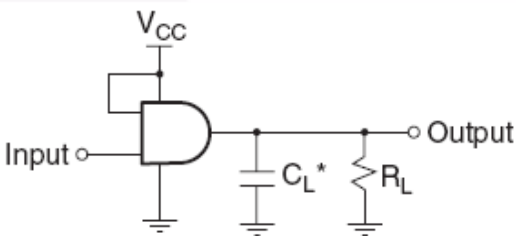


Figure 4. AC Test Circuit

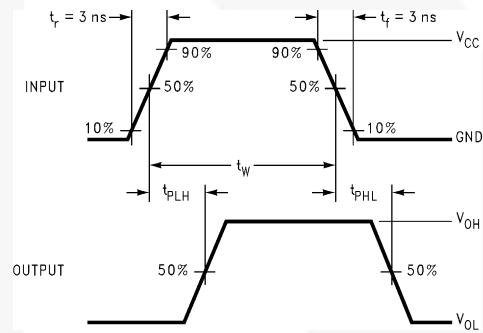


Figure 5. AC Waveforms

Notes:

- C_L includes load and stray capacitance.
- Input PRR=1.0 MHz; t_w500 ns.

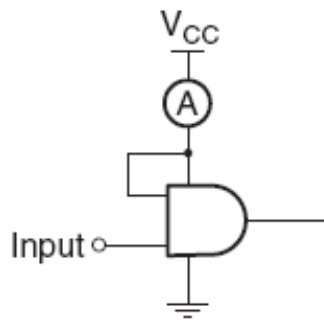


Figure 6. I_{CCD} Test Circuit

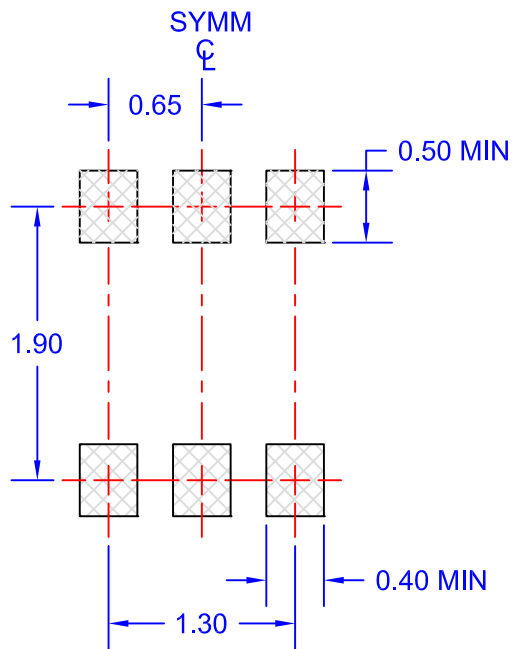
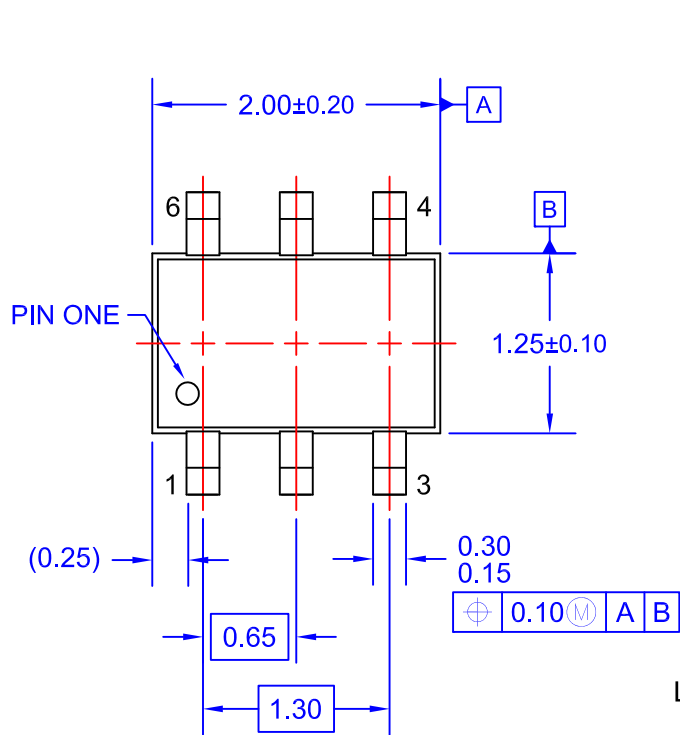
Note:

- Input=AC Waveform; t_r=t_f=1.8 ns; PRR=10 MHz; Duty Cycle=50%.

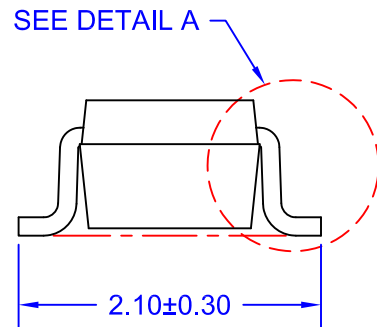
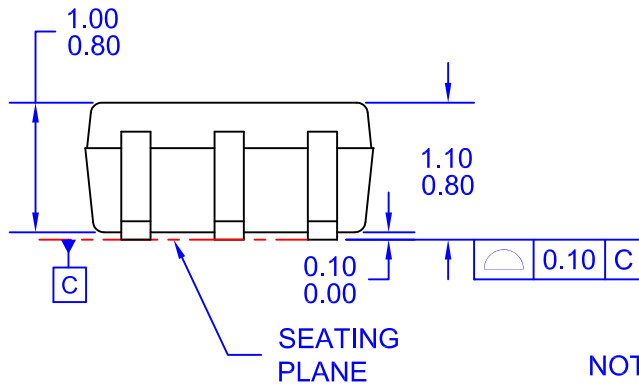
Tape and Reel Specifications

| Package Designator | Tape Section | Cavity Number | Cavity Status | Cover Type Status |
|--------------------|--------------------|---------------|---------------|-------------------|
| P6X | Leader (Start End) | 125 (Typical) | Empty | Sealed |
| | Carrier | 3000 | Filled | Sealed |
| | Trailer (Hub End) | 75 (Typical) | Empty | Sealed |

| Package Designator | Tape Section | Cavity Number | Cavity Status | Cover Type Status |
|--------------------|--------------------|---------------|---------------|-------------------|
| L6X | Leader (Start End) | 125 (Typical) | Empty | Sealed |
| | Carrier | 5000 | Filled | Sealed |
| | Trailer (Hub End) | 75 (Typical) | Empty | Sealed |



LAND PATTERN RECOMMENDATION

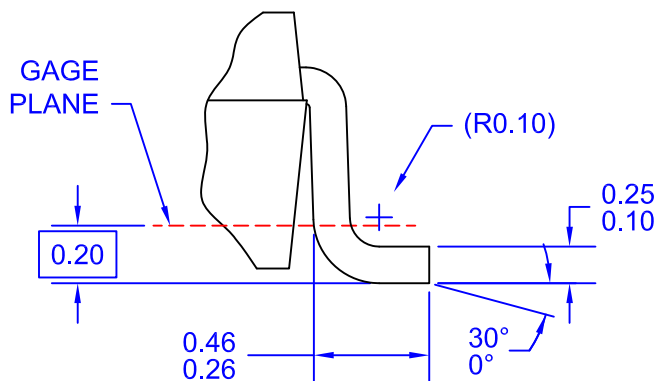


NOTES: UNLESS OTHERWISE SPECIFIED
 A) THIS PACKAGE CONFORMS TO EIAJ SC-88, 1996.

B) ALL DIMENSIONS ARE IN MILLIMETERS.
 C) DIMENSIONS DO NOT INCLUDE BURRS OR MOLD FLASH.

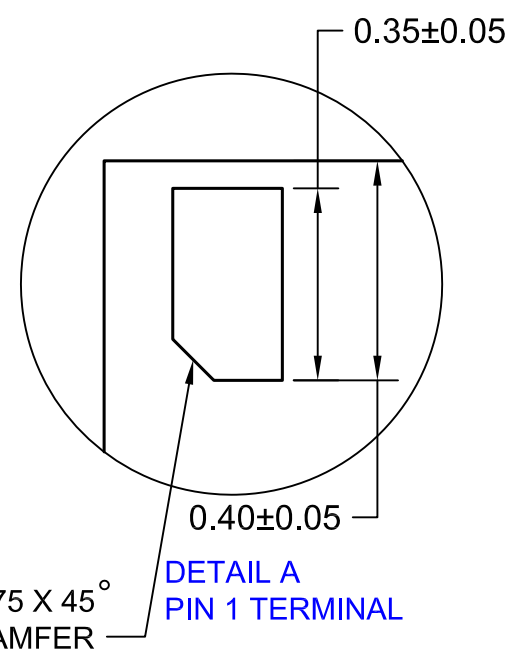
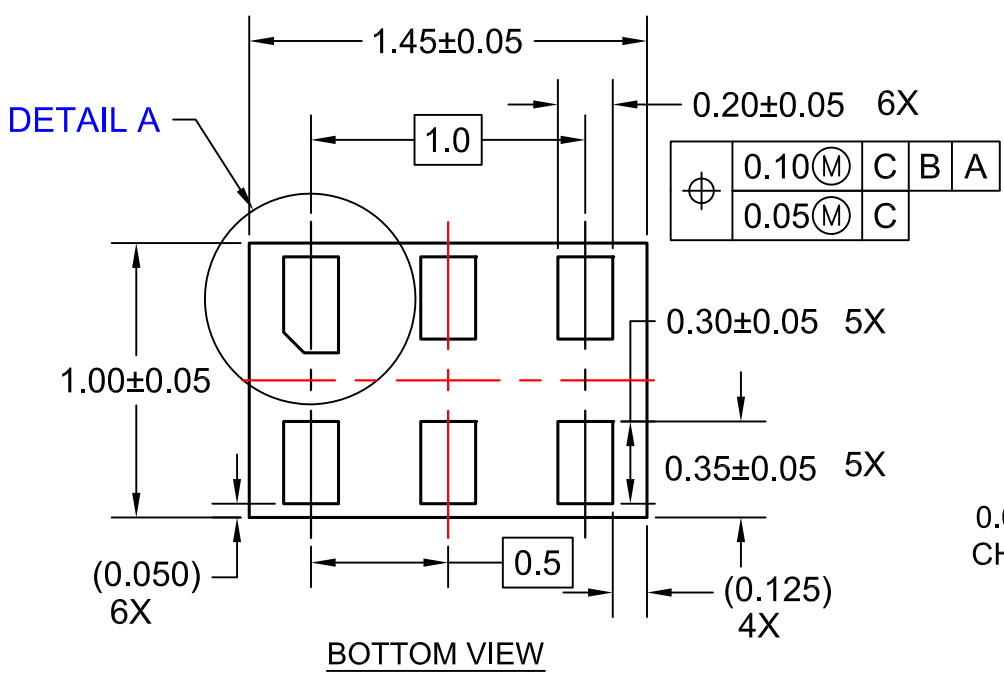
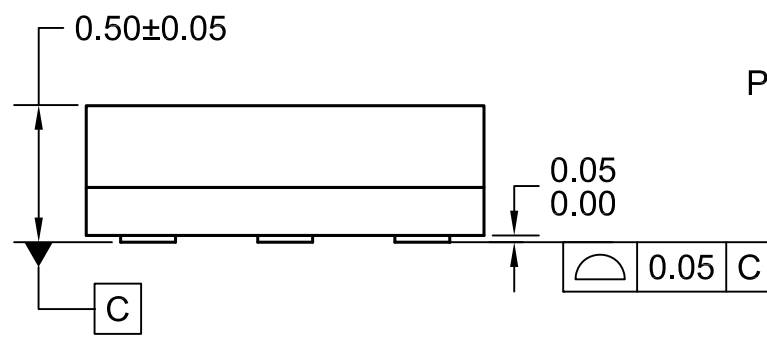
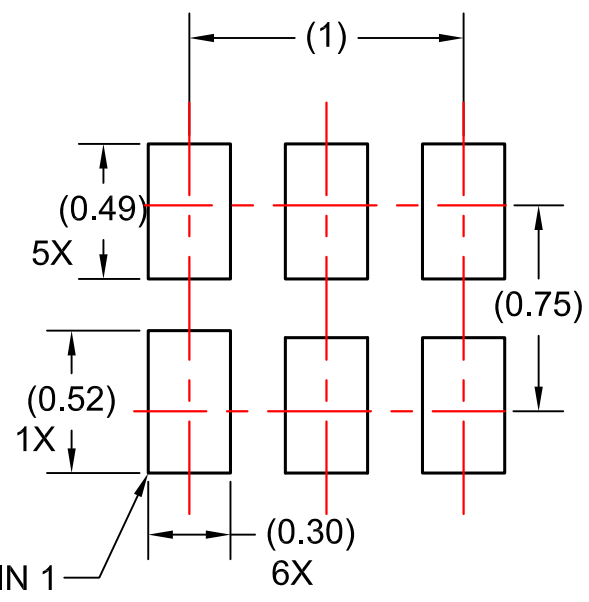
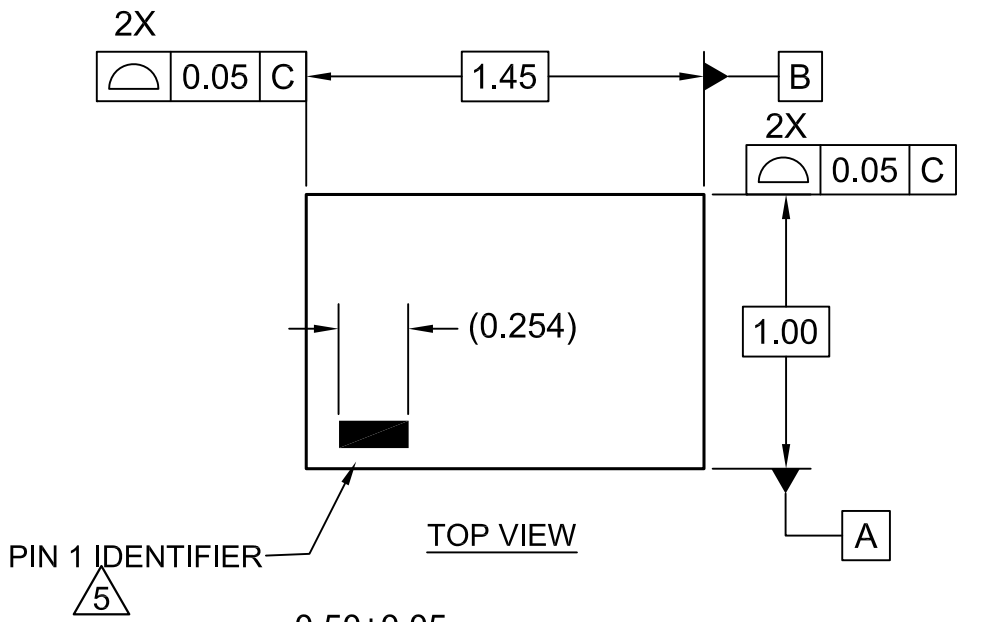
D) DIMENSIONING AND TOLERANCING PER ASME Y14.5M-2009

E) DRAWING FILENAME: MKT-MAA06AREV7



DETAIL A
 SCALE: 60X





NOTES:

1. CONFORMS TO JEDEC STANDARD MO-252 VARIATION UAAD
2. DIMENSIONS ARE IN MILLIMETERS
3. DRAWING CONFORMS TO ASME Y14.5M-2009
4. LANDPATTERN RECOMMENDATION PER FSC
5. PIN ONE IDENTIFIER IS 2X LENGTH OF ANY OTHER LINE IN THE MARK CODE LAYOUT.
6. FILENAME AND REVISION: MAC06AREV6



ON Semiconductor and  are trademarks of Semiconductor Components Industries, LLC dba ON Semiconductor or its subsidiaries in the United States and/or other countries. ON Semiconductor owns the rights to a number of patents, trademarks, copyrights, trade secrets, and other intellectual property. A listing of ON Semiconductor's product/patent coverage may be accessed at www.onsemi.com/site/pdf/Patent-Marking.pdf. ON Semiconductor reserves the right to make changes without further notice to any products herein. ON Semiconductor makes no warranty, representation or guarantee regarding the suitability of its products for any particular purpose, nor does ON Semiconductor assume any liability arising out of the application or use of any product or circuit, and specifically disclaims any and all liability, including without limitation special, consequential or incidental damages. Buyer is responsible for its products and applications using ON Semiconductor products, including compliance with all laws, regulations and safety requirements or standards, regardless of any support or applications information provided by ON Semiconductor. "Typical" parameters which may be provided in ON Semiconductor data sheets and/or specifications can and do vary in different applications and actual performance may vary over time. All operating parameters, including "Typicals" must be validated for each customer application by customer's technical experts. ON Semiconductor does not convey any license under its patent rights nor the rights of others. ON Semiconductor products are not designed, intended, or authorized for use as a critical component in life support systems or any FDA Class 3 medical devices or medical devices with a same or similar classification in a foreign jurisdiction or any devices intended for implantation in the human body. Should Buyer purchase or use ON Semiconductor products for any such unintended or unauthorized application, Buyer shall indemnify and hold ON Semiconductor and its officers, employees, subsidiaries, affiliates, and distributors harmless against all claims, costs, damages, and expenses, and reasonable attorney fees arising out of, directly or indirectly, any claim of personal injury or death associated with such unintended or unauthorized use, even if such claim alleges that ON Semiconductor was negligent regarding the design or manufacture of the part. ON Semiconductor is an Equal Opportunity/Affirmative Action Employer. This literature is subject to all applicable copyright laws and is not for resale in any manner.

PUBLICATION ORDERING INFORMATION

LITERATURE FULFILLMENT:

Literature Distribution Center for ON Semiconductor
19521 E. 32nd Pkwy, Aurora, Colorado 80011 USA
Phone: 303-675-2175 or 800-344-3860 Toll Free USA/Canada
Fax: 303-675-2176 or 800-344-3867 Toll Free USA/Canada
Email: orderlit@onsemi.com

N. American Technical Support: 800-282-9855 Toll Free
USA/Canada
Europe, Middle East and Africa Technical Support:
Phone: 421 33 790 2910
Japan Customer Focus Center
Phone: 81-3-5817-1050

ON Semiconductor Website: www.onsemi.com
Order Literature: <http://www.onsemi.com/orderlit>
For additional information, please contact your local
Sales Representative