



KILOVAC K1K High-Voltage Contactor

High Performance in a Compact, Lightweight, Hermetically Sealed
Contactor Designed for up to 1000 V/1000 A in Harsh Environments

KILOVAC K1K

High-Voltage Contactor

Compact, Lightweight, Hermetically Sealed Contactor



As one of the smallest, lowest cost, hermetically sealed 1000 A/1000 V switching devices in the industry, the KILOVAC K1K contactor from TE Connectivity (TE) operates reliably in harsh and explosive environments without oxidation or contamination of contacts, even after long periods of non-operation. The K1K is well suited for power switching at voltages as low as 5 VDC and as high as 1000 VDC. Typical applications include main disconnect contactor for large battery bank applications, for carry and interrupt battery fault currents and other high current applications, power/motor control circuit isolation, and circuit protection and safety.

CAPABLE

- Handles up to 1000 A/1000 V

HERMETICALLY SEALED

- Suitable for application in harsh and explosive environments
- No contact oxidation over periods of non-use

VERSATILE

- Bidirectional switching
- Main contacts not polarity sensitive
- Bottom or buss bar mount

EFFICIENT

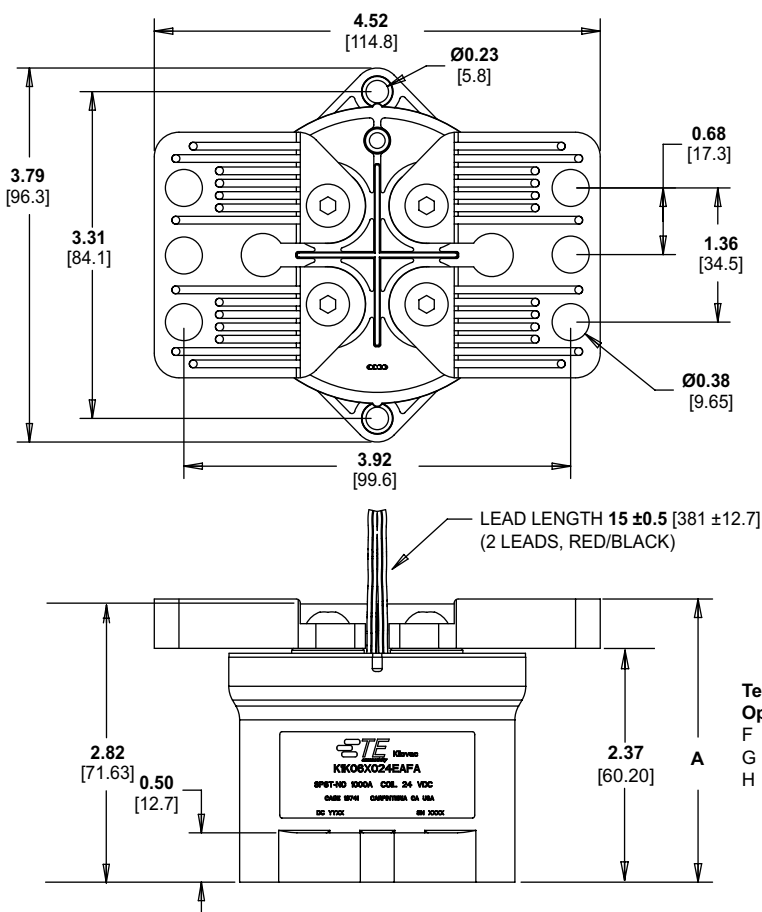
- Integrated dual-coil electronic “cut-throat” economizer with internal suppression

SPACE AND WEIGHT SAVINGS

- One of the smallest 1000 A/1000 V hermetically-sealed contactors in the industry

APPLICATIONS

- Energy Storage/Battery Storage
- Power Distribution
- Alternative Energy
- Electric Vehicles (Military and Commercial)
- Test Equipment



TE Components . . . TE Technology . . . TE Know-how . . .
 AMP | AGASTAT | CII | HARTMAN | KILOVAC | MICRODOT | NANONICS | POLAMCO | Raychem | Rochester | DEUTSCH
 SEACON Phoenix | LL ROWE | Phoenix Optix | AFP | SEACON

Get your product to market faster with a smarter, better solution.



Specifications

ELECTRICAL

Main Contacts

- **Contact Arrangement:** SPST-NO (Form X)
- **Voltage Rating (Max.):** 1000 VDC
- **Current Rating, Continuous:** 1000 A (At 25°C ambient with four 4/0 conductors or equivalent)
- **Current Rating, Short Term:** 1200 A/180 sec
- **Contact Resistance:** 0.2 mΩ max. at rated current
- **Hot-Switching Performance, Resistive Load:**
 - 50 A/1000 VDC: 25,000 cycles
 - 130 A/1000 VDC: 10,000 cycles
 - 200 A/1000 VDC: 3500 cycles
 - 100 A/600 VDC: 10,000 cycles
 - 240 A/600 VDC: 2000 cycles
 - 1000 VDC/1200 A: 4 cycles (Break Only)
- **Maximum Pulse Through Closed Contacts:** 6000 A (half cycle, 60 Hz)
- **Dielectric Withstanding Voltage over Life:**
 - Between Open Contacts: 2800 V_{rms}
 - Contacts to Coil: 2800 V_{rms}/4000 VDC
 - End of Life Between Open Contacts: 2200 V_{rms}
- **Insulation Resistance over Life, Terminal to Terminal; Terminals to Coil:**
 - Beginning of Life: 100 MΩ min. @ 500 VDC
 - End of Life: 50 MΩ min. @ 500 VDC
- **Switching Life at Max. Rating:** 100,000 cycles min.

ENVIRONMENTAL/MECHANICAL

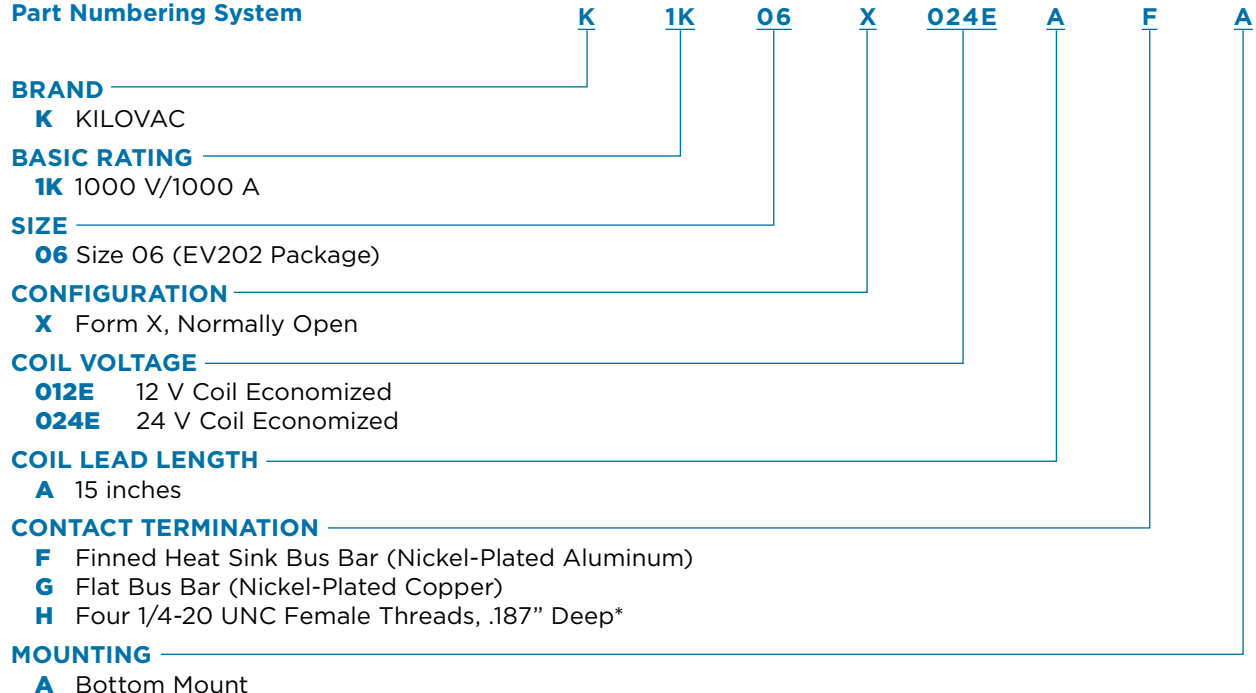
- **Shock:** 11 ms, 1/2 sine (operating), 20 g peak
- **Sine Vibration:** 20 gpeak (operating) 55 to 2000 Hz
- **Operating Temperature Range:** -40°C to +105°C
- **Weight, Nominal:** 1.02 kg
- **Sealing:** Hermetic

COIL DATA

Coil Data @ 20°C (Internal Two-Coil Economizer)

- **Coil Voltage Range:** 24 VDC nom./32 VDC max.
- **Maximum Pickup Current:** 5.5 A
- **Nominal Holding Current:** 0.33 A
- **Pickup Voltage:** 18 VDC
- **Dropout Voltage:** 10 VDC
- **Pickup Pulse (Max):** 75 ms
- **Coil Resistance ±5%:** 4.7 Ω Pickup/72 Ω Hold
- **Coil Holding Power:** 8 W
- **Main Contacts:**
 - Operate Time (Max): 50 ms
 - Operate Bounce (Typ.): 5 ms
 - Release (Typ.): 8 ms

Part Numbering System



*User furnished bus bar must be equivalent to four 4/0 conductors. Torque to 45-55 in-lbs. per connection (5.1 - 6.2 Nm)

LET'S CONNECT

We make it easy to connect with our experts and are ready to provide all the support you need. Just call your local support number or visit www.te.com/industrial to chat with a Product Information Specialist.

Technical Support

te.com/support-center

North America	+1 800 522 6752	Asia Pacific	+86 400 820 6015
North America (Toll)	+1 717 986 7777	Japan	+81 044 844 8180
EMEA/South Africa	+800 0440 5100	Australia	+61 2 9554 2695
EMEA (Toll)	+31 73 624 6999	New Zealand	+64 (0) 9 634 4580
India (Toll-Free)	+800 440 5100		

te.com/k1k

AMP, AGASTAT, CII, DEUTSCH, HARTMAN, KILOVAC, LL ROWE, MICRODOT, NANONICS, POLAMCO, Raychem, SEACON, TE, TE Connectivity and the TE connectivity (logo) are trademarks of the TE Connectivity Ltd. family of companies. Other products, logos, and company names mentioned herein may be trademarks of their respective owners.

While TE Connectivity (TE) has made every reasonable effort to ensure the accuracy of the information herein, nothing herein constitutes any guarantee that such information is error-free, or any other representation, warranty or guarantee that the information is accurate, correct, reliable or current. The TE entity issuing this publication reserves the right to make any adjustments to the information contained herein at any time without notice. All implied warranties regarding the information contained herein, including, but not limited to, any implied warranties of merchantability or fitness for a particular purpose are expressly disclaimed. The dimensions herein are for reference purposes only and are subject to change without notice. Specifications are subject to change without notice.

Consult TE for the latest dimensions and design specifications.

© 2016 TE Connectivity Ltd. family of companies All Rights Reserved.

1-1773903-9 12/16 Original