

PLEASE CHECK WWW.MOLEX.COM FOR LATEST PART INFORMATION

Part Number: **0500588000**
Status: **Active**
Overview: PicoBlade™ Connector System
Description: 1.25mm Pitch PicoBlade™ Crimp Terminal, Female, 28-32 AWG, Reel

Documents:

3D Model	Product Specification PS-51021-022-001 (PDF)
Drawing (PDF)	Product Specification PS-51021-023-001 (PDF)
Product Specification PS-51021-001-001 (PDF)	Product Specification PS-51021-024-001 (PDF)
Product Specification PS-51021-002-001 (PDF)	Product Specification PS-51021-026-001 (PDF)
Product Specification PS-51021-009-001 (PDF)	Product Specification PS-51021-027-001 (PDF)
Product Specification PS-51021-010-001 (PDF)	Product Specification PS-51021-032-001 (PDF)
Product Specification PS-51021-011-001 (PDF)	RoHS Certificate of Compliance (PDF)

General

Product Family	Crimp Terminals
Series	50058
Application	Signal
Crimp Quality Equipment	Yes
Current Derating Order No	987651-3691
MolexKits	Yes
Overview	PicoBlade™ Connector System
Packaging Alternative	50058-8100 (Loose)
Product Name	PicoBlade™
UPC	800753576315

Physical

Durability (mating cycles max)	30
Gender	Female
Material - Metal	Phosphor Bronze
Material - Plating Mating	Tin
Material - Plating Termination	Tin
Net Weight	12.600/mg
Packaging Type	Reel
Plating min - Mating	0.889µm
Plating min - Termination	0.914µm
Termination Interface: Style	Crimp or Compression
Wire Insulation Diameter	0.50-1.00mm
Wire Size AWG	28, 30, 32
Wire Size mm²	N/A

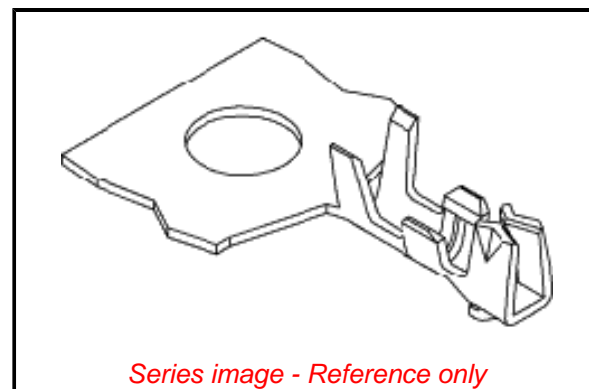
Electrical

Current - Maximum per Contact	1.0A
Voltage - Maximum	125V

Material Info

Reference - Drawing Numbers

Product Specification	PS-51021-001-001, PS-51021-002-001, PS-51021-009-001, PS-51021-010-001, PS-51021-011-001, PS-51021-022-001, PS-51021-023-001, PS-51021-024-001, PS-51021-026-001, PS-51021-027-001, PS-51021-032-001
Sales Drawing	SD-50058-8*00



Series image - Reference only

EU ELV

Not Relevant

EU RoHS

Compliant

REACH SVHC

Not Contained Per
-ED/01/2017 (12
January 2017)

Halogen-Free

Status

Low-Halogen

Need more information on product environmental compliance?

Email productcompliance@molex.com
Please visit the [Contact Us](#) section for any non-product compliance questions.

China ROHS

ELV

RoHS Phthalates

Green Image

Not Relevant

Not Contained

China RoHS

Search Parts in this Series

50058 Series

Mates With

50125 Crimp Terminal 26-28 AWG, 50133 Crimp Terminal 28-32 AWG

Use With

51021 PicoBlade™ Wire-to-Wire and Wire-to-Board Housing

This document was generated on 02/28/2017

PLEASE CHECK WWW.MOLEX.COM FOR LATEST PART INFORMATION