

**PLEASE CHECK WWW.MOLEX.COM FOR LATEST PART INFORMATION**

**Part Number:** [0432024101](#)  
**Status:** **Active**  
**Overview:** [Modular Jacks and Plugs](#)  
**Description:** Modular Jack, Right Angle, Low Profile, 4/4

**Documents:**

<a href="#">3D Model</a>	<a href="#">Product Specification TS-43202-002-001 (PDF)</a>
<a href="#">Drawing (PDF)</a>	<a href="#">Packaging Specification PK-43202-003 (PDF)</a>
<a href="#">Product Specification PS-43202-001-001 (PDF)</a>	<a href="#">RoHS Certificate of Compliance (PDF)</a>

**Agency Certification**

CSA	LR19980
UL	E107635

**General**

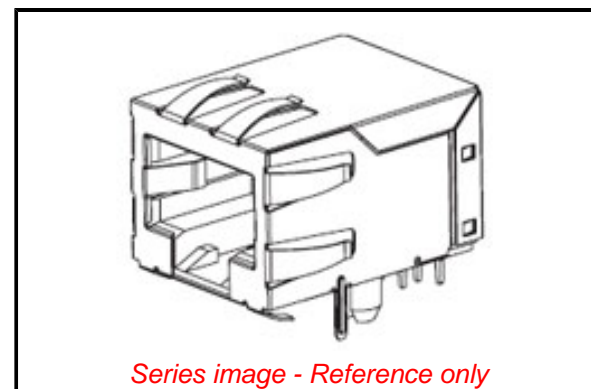
Product Family	Modular Jacks/Plugs
Series	<a href="#">43202</a>
Comments	Enhanced panel grounding tabs
Component Type	PCB Jack
Magnetic	No
Overview	<a href="#">Modular Jacks and Plugs</a>
Performance Category	3, 4
Power over Ethernet (PoE)	N/A
Product Name	N/A
UPC	800754378437

**Physical**

Color - Resin	Black
Durability (mating cycles max)	500
Flammability	94V-0
Inverted / Top Latch	No
Jack Height	11.58mm
Lightpipes/LEDs	None
Material - Metal	Phosphor Bronze
Material - Plating Mating	Gold
Material - Plating Termination	Tin
Material - Resin	High Temperature Thermoplastic
Net Weight	1.768/g
Orientation	Right Angle (Side Entry)
PCB Retention	Yes
PCB Thickness - Recommended	1.60mm
Packaging Type	Tray
Pitch - Mating Interface	1.02mm
Pitch - Termination Interface	1.27mm
Plating min - Mating	1.270µm
Plating min - Termination	2.540µm
Ports	1
Positions / Loaded Contacts	4/4
Surface Mount Compatible (SMC)	Yes
Temperature Range - Operating	-40°C to +85°C
Termination Interface: Style	Through Hole
Wire/Cable Type	N/A

**Electrical**

Current - Maximum per Contact	1.5A
Shielded	No
Voltage - Maximum	125V



*Series image - Reference only*

**EU ELV**

**Not Relevant**

**EU RoHS**

**Compliant**

**REACH SVHC**

Not Contained Per  
-ED/01/2017 (12  
January 2017)

**Halogen-Free**

**Status**

**Not Low-Halogen**

**Need more information on product environmental compliance?**

Email [productcompliance@molex.com](mailto:productcompliance@molex.com)  
Please visit the [Contact Us](#) section for any non-product compliance questions.

China ROHS	Green Image
ELV	Not Relevant
RoHS Phthalates	Not Contained

**Search Parts in this Series**

[43202 Series](#)

**Mates With**

FCC 68 Plugs

**Solder Process Data**

Duration at Max. Process Temperature (seconds)	005
Lead-free Process Capability	WAVE
Max. Cycles at Max. Process Temperature	001
Process Temperature max. C	260

**Material Info**

Engineering Number	A432024101
--------------------	------------

**Reference - Drawing Numbers**

Packaging Specification	PK-43202-003
Product Specification	PS-43202-001-001, TS-43202-002-001
Sales Drawing	SDA-43202

This document was generated on 03/06/2017

**PLEASE CHECK [WWW.MOLEX.COM](http://WWW.MOLEX.COM) FOR LATEST PART INFORMATION**