

**PLEASE CHECK WWW.MOLEX.COM FOR LATEST PART INFORMATION**

**Part Number:** [0940305011](#)  
**Status:** **Active**  
**Overview:** Standard Quick-Disconnect Terminals  
**Description:** Quick Disconnect, Female, Flag, for (1.00-2.50mm<sup>2</sup>) 14-16 AWG Wire, Accepts 6.35 x 0.81mm Tab

**Documents:**

<a href="#">Drawing (PDF)</a>	<a href="#">Product Specification PS-94030-002-001 (PDF)</a>
<a href="#">Product Specification PS-94030-001-001 (PDF)</a>	<a href="#">RoHS Certificate of Compliance (PDF)</a>

**General**

Product Family	Quick Disconnects
Series	<a href="#">94030</a>
Crimp Quality Equipment	Yes
Insulated	No
Overview	<a href="#">Standard Quick-Disconnect Terminals</a>
Product Name	N/A
Type	Quick Disconnect
UPC	800754326889

**Physical**

Barrel Type	Open
Gender	Female
Glow-Wire Compliant	No
Insulation	None
Lock to Mating Part	None
Material - Metal	Brass
Material - Plating Mating	Tin
Material - Plating Termination	Tin
Net Weight	0.750/g
Orientation	Flag
Packaging Type	Reel
Plating min - Mating	2.540µm
Plating min - Termination	2.540µm
Polarized to Mating Part	Yes
Tab Thickness	0.81mm
Tab Width	6.35mm
Temperature Range - Operating	80°C
Termination Interface: Style	Crimp or Compression
Wire Insulation Diameter	2.70-4.30mm
Wire Size AWG	14, 16
Wire Size mm <sup>2</sup>	1.00-2.50

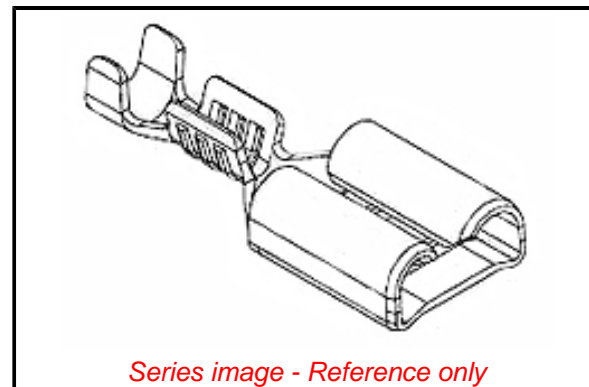
**Electrical**

Voltage - Maximum	N/A
-------------------	-----

**Material Info**

**Reference - Drawing Numbers**

Product Specification	PS-94030-001-001, PS-94030-002-001
Sales Drawing	SD-94030-037



*Series image - Reference only*

**EU ELV**

**Compliant**

**EU RoHS**

**Compliant**

**REACH SVHC**

Not Contained Per -  
ED/21/2016 (20 June  
2016)

**Halogen-Free**

**Status**

**Not Relevant**

**Need more information on product environmental compliance?**

Email [productcompliance@molex.com](mailto:productcompliance@molex.com)  
Please visit the [Contact Us](#) section for any non-product compliance questions.

China ROHS	Not Relevant
ELV	Compliant
RoHS Phthalates	Not Contained

**Search Parts in this Series**

[94030](#) Series

**Use With**

[94090-4030](#)

**Application Tooling | FAQ**

*Tooling specifications and manuals are found by selecting the products below. Crimp Height Specifications are then contained in the Application Tooling Specification document.*

**Global**

Description	Product #
Hand Tool for Quick Disconnect, Female Flag for 1.00 - 1.50mm <sup>2</sup>	<a href="#">0638196600</a>
Hand Tool for Quick Disconnect, Female	<a href="#">0638198500</a>

Flag for 1.50 -  
2.50mm<sup>2</sup>  
Mini-Mac™ 0638950800  
Applicator for Female  
Flag QD Crimp  
Terminals

This document was generated on 11/18/2016

**PLEASE CHECK [WWW.MOLEX.COM](http://WWW.MOLEX.COM) FOR LATEST PART INFORMATION**