

NO: PMS - 012	PRODUCT: Z4D-B01 – Micro-Displacement Sensors
DATE: March 2017	TYPE: DISCONTINUATION – Streamline Product Offering

Z4D-B01 Micro-Displacement Sensors – DISCONTINUATION

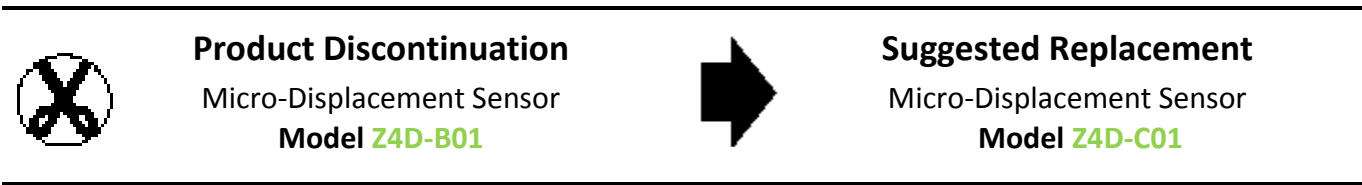
In an effort to streamline our product offering and focus on popular models of Omron’s line of Micro-Displacement Sensors, OMRON will discontinue the Z4D-B01 Micro-Displacement Sensor model in February 2018. The suggested replacement will be our Z4D-C01 Micro-Displacement sensor model, which despite differences to the characteristics and operation ratings, can be considered to be a functional equivalent. To be more specific, please note the difference between the voltage output waveform of Z4D- B01 compared to the voltage output waveform of Z4D-C01. Please carefully read through this notification and note the differences. The following details will fully explain the discontinuation and replacement considerations; should you have any additional questions, however, please communicate with the Photomicrosensor Product Specialist.

LAST Order date (Last Time Buy Date)

February 28, 2018

All orders entered by the LTB date will be shipped by the factory by the end of:

June, 2018

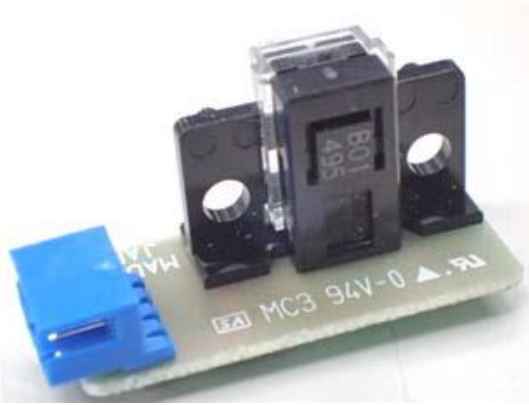



Differences from discontinued product:

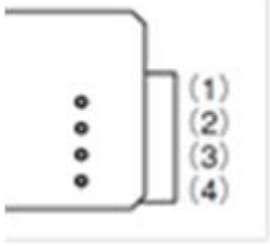
Suggested Replacement Model	Body Color	Dimen -sions	Wire connection	Mounting Dimensions	Charact -eristics	Operation ratings	Operation methods
Z4D-C01	**	**	**	**	*	*	**

- ** : Compatible
- * : The change is a little/Almost compatible
- : Not compatible
- : No corresponding specification

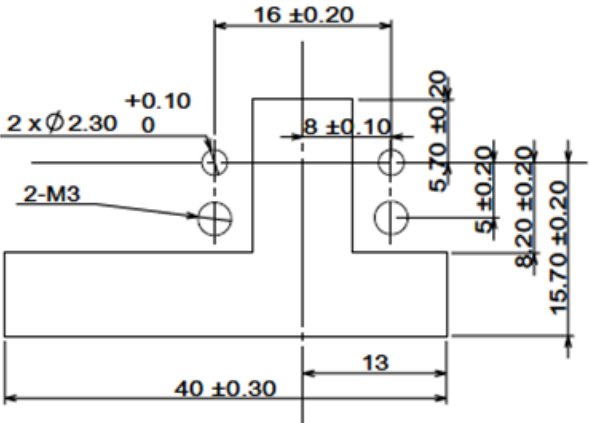
Body Color:

Discontinued Model Z4D-B01	Suggested Replacement Model Z4D-C01
Body Resin Color – Black 	Body Resin Color – Black 

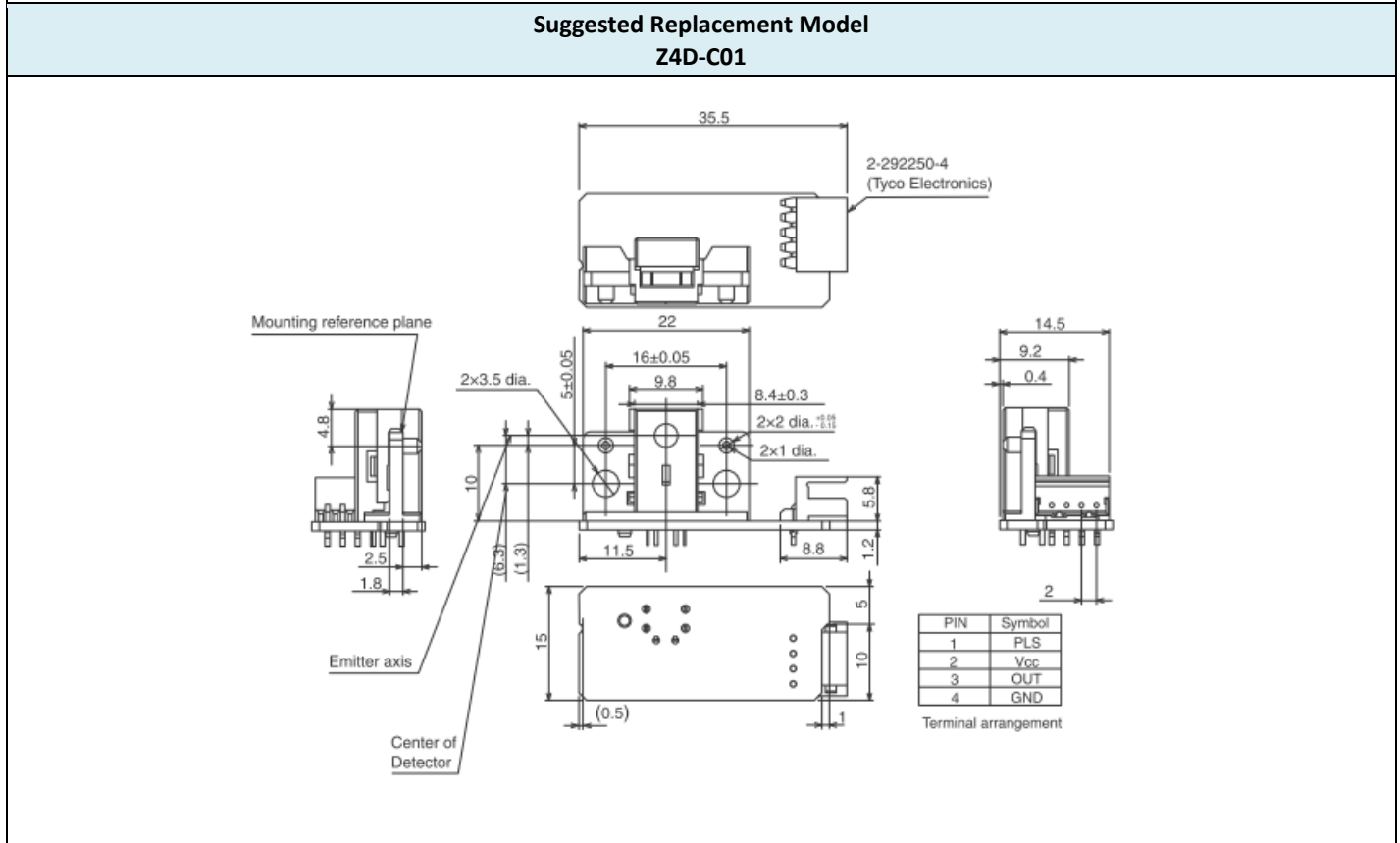
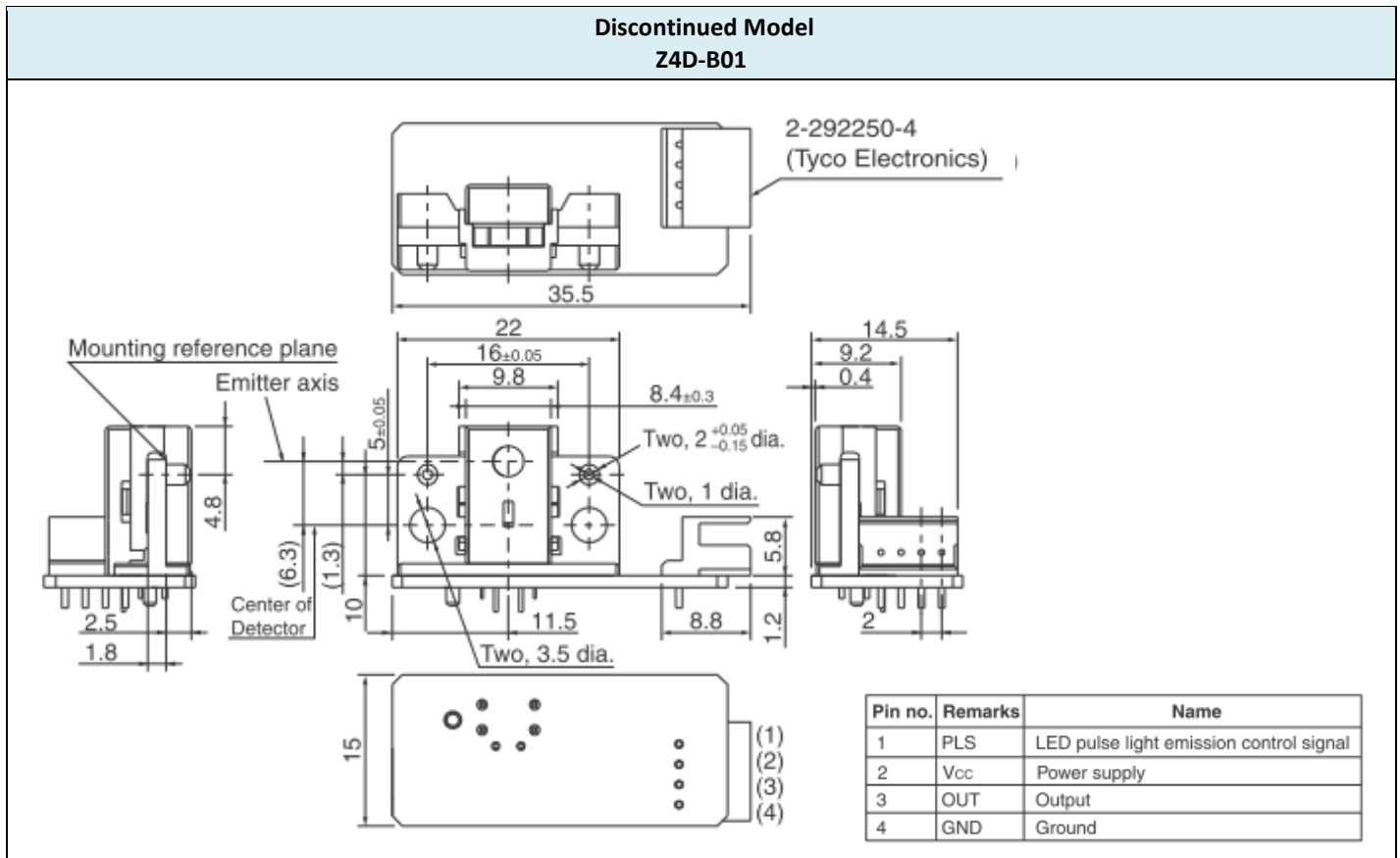
Wire Connection:

Discontinued Model Z4D-B01	Suggested Replacement Model Z4D-C01															
	<table border="1"> <thead> <tr> <th>Pin no.</th> <th>Remarks</th> <th>Name</th> </tr> </thead> <tbody> <tr> <td>1</td> <td>PLS</td> <td>LED pulse light emission control signal</td> </tr> <tr> <td>2</td> <td>Vcc</td> <td>Power supply</td> </tr> <tr> <td>3</td> <td>OUT</td> <td>Output</td> </tr> <tr> <td>4</td> <td>GND</td> <td>Ground</td> </tr> </tbody> </table>	Pin no.	Remarks	Name	1	PLS	LED pulse light emission control signal	2	Vcc	Power supply	3	OUT	Output	4	GND	Ground
Pin no.	Remarks	Name														
1	PLS	LED pulse light emission control signal														
2	Vcc	Power supply														
3	OUT	Output														
4	GND	Ground														

Mounting Dimensions:

Discontinued Model Z4D-B01	Suggested Replacement Model Z4D-C01
 <p>取付穴加工寸法 MOUNTING SCREW HOLES</p>	<p>注 1 () 内寸法は参考値とする NOTE1 THE VALUE IN PARENTHESES ARE REFERENCE DIMENSIONS.</p>

Dimensions:



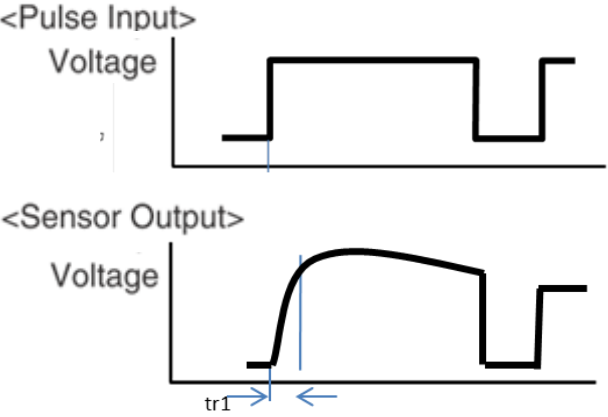
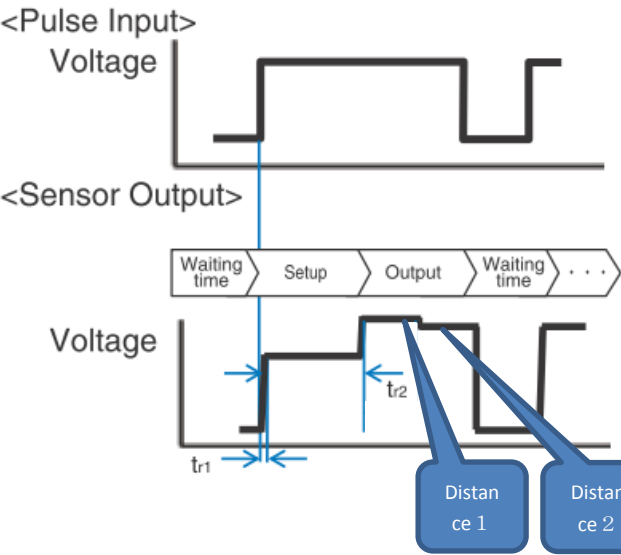
Characteristics:

Item	Discontinued Model Z4D-B01	Suggested Replacement Model Z4D-C01
Power supply voltage	5 VDC \pm 10%	
Current consumption	0.2 VDC to (Vcc - 0.3) V	
Response delay time	100 μ s max.	100 μ s max. *1
Response delay time (Setup time)	-	500 μ s max. *2
LED pulse light emission control signal voltage	3.5 VDC to Vcc	
Operating area	6.5 \pm 1 mm	
Sensitivity variation	-1.4 mV/ μ m \pm 10% max.	
Resolution	\pm 10 μ m max.	

*1: Rise time of output voltage from 10% to 90%.

*2: Setup time from PLS rising edge to measured output value rising edge.

Operation Ratings:

Discontinued Model Z4D-B01	Suggested Replacement Model Z4D-C01
<p>Operation ratings <Pulse Input and Sensor Output></p>  <p>After response delay time output signal is obtained according to the distance.</p>	<p>Operation ratings <Pulse Input and Sensor Output></p>  <p>After setup time t_{r2}. output signal is obtained according to the distance. After setup, output signal is updated every 80 micro seconds.</p>

Operation Method:

Discontinued Model Z4D-B01	Suggested Replacement Model Z4D-C01
No change in Operating Method	

Details of Applicable Models:

Z4D Discontinued Model	Z4D Suggested Replacement Model
Z4D-B01	Z4D-C01

* Sales teams should communicate this discontinuation with their OEM's and CEM's.
For further technical support and any questions, please communicate with Product Marketing.

Specifications in this product news are as of the issue date and are subject to change without notice.
Only main changes in specifications are described in this document. Please be sure to read the relevant catalogs, datasheets, product specifications, instructions, and manuals for precautions and necessary information when using products.

Last time buy dates are subject to change based on availability