

Prototyping board accessories

Single sided pin (Type 10)

For use with plain or copper-clad boards. These pins have the facility for soldering discrete components one side and wire wrapping the other.

Material: Manufactured from phosphor bronze to BS 2870 PB 102 with tin fi over copper flash.

Post size: 0.68 mm x 0.64 mm, diagonal 0.94 mm

Single Sided Pin		Ordering information
Type	Compatible hole Ø pierced/drilled	Order code
10	1.02 +/- 0.025	18-0226

Supplied in packets of 500

Double sided pin (Type 11)

For use when wirewrapping is required both sides of the board.

Double Sided Pin		Ordering information
Type	Compatible hole Ø pierced/drilled	Order code
11	1.02 +/- 0.025	18-1657

Supplied in packets of 500

Solder terminal pin (Type 2)

By inserting pin up to its shoulder these pins stand at a fixed height above the board surface. The separated profile offers good mechanical retention while electrical contact is made by soldering shoulder to a copper track.

Available in two sizes for hole size 1.02 and 1.32 mm pack size 1000.

Hole dia.	Dimensions					Order code
	A	B	C	D	E	
1.02 +/- 0.025	9.7	5.6	1.1	1.0	0.4	18-0222
1.32 +/- 0.025	11.9	6.7	1.4	1.2	0.5	18-0219

Solder terminal pin (Type 3)

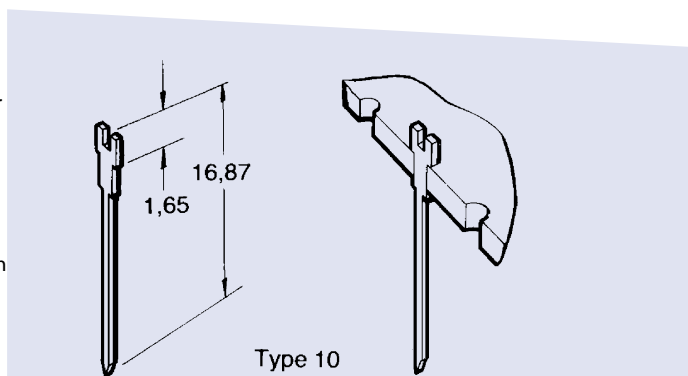
Similar to 18-0222D but manufactured from phosphor bronze to BS 2873 PB 102 tin finish over copper flash.

Solder Terminal Pin		Ordering information	
Type	Qty	Hole dia.	Order code
3	1000	1.02 +/- 0.025	18-0218

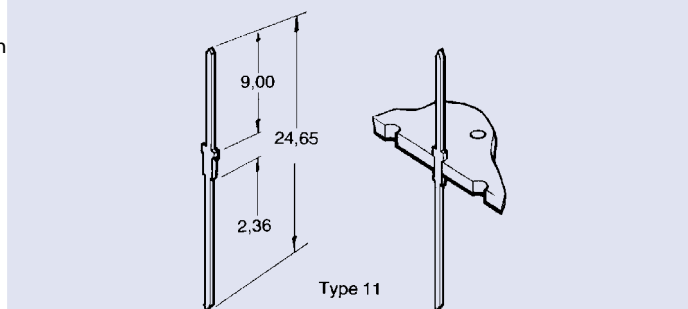
Solder terminal half pin (Type 4)

These pins are ideally suited to take off points or flying leads from a PCB. The shoulder is soldered to the copper track with the pin protruding on the component side of the board. Two sizes are available 1.02 and 1.32 mm diameter holes.

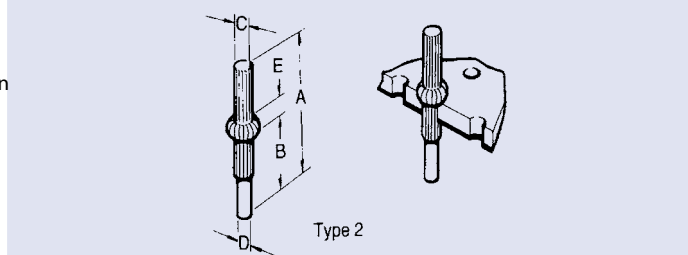
Solder Terminal Half Pin		Ordering information		
Type	Qty	Hole dia.	Dim.A	Order code
4	1000	1.32 +/- 0.025	1.21	18-0217
4	1000	1.02 +/- 0.025	0.93	18-0223



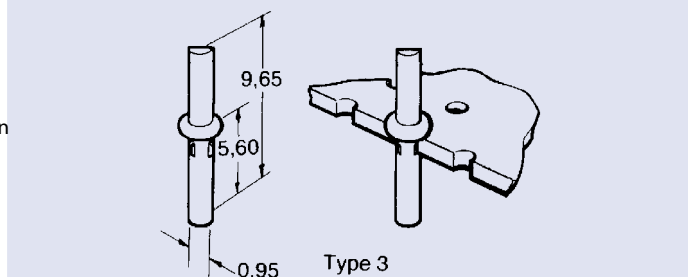
Single Sided Pins – Type 10



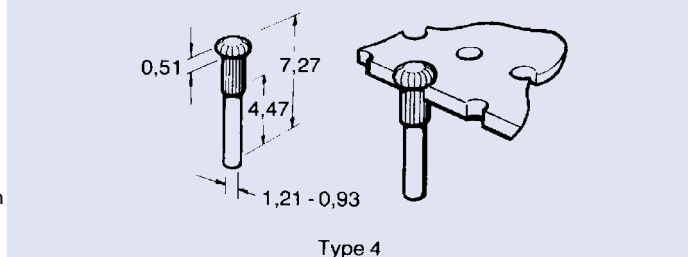
Double Sided Pins – Type 11



Solder Terminal Pins – Type 2



Solder Terminal Pins – Type 3



Solder Terminal Half Pins – Type 4